

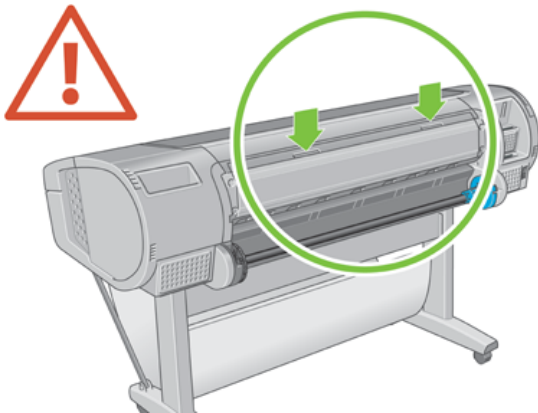


PRODUCT HOME

# HP Designjet T610 Printer Series - Load a roll onto the 44-inch spindle

**CAUTION:** Ensure the sheet tray is closed.

Figure 1: Closing sheet trays

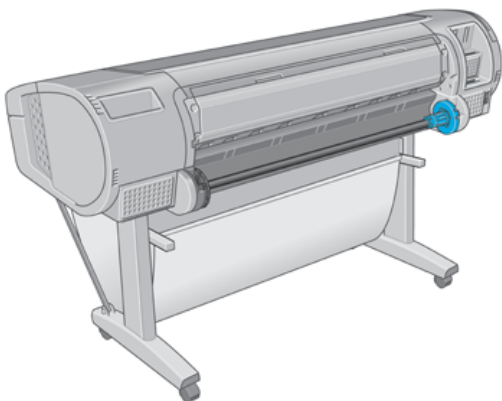


1. Remove the black end of the spindle from the printer, then the blue end.

**CAUTION:** Be sure to remove the black end first. Removing the blue end first could damage the black end.

**WARNING:** Do not insert your fingers into the spindle supports during the removal process.

Figure 2: Removing the spindle from the printer



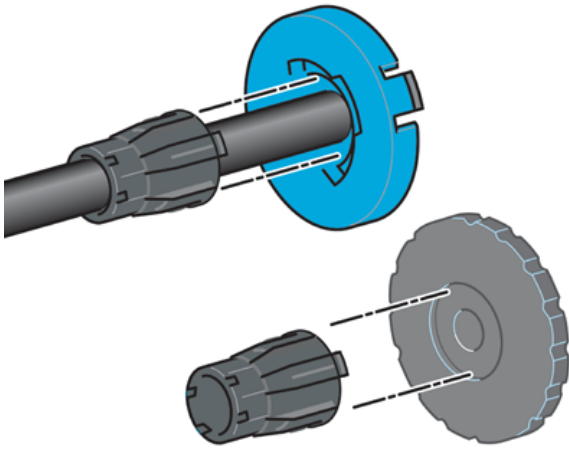
2. The spindle has a stop at each end to keep the roll in position. The blue stop can be removed to mount a new roll; it slides along the spindle to hold rolls of different widths. Remove the blue paper stop from the end of the spindle.

Figure 3: Removing the stop from the spindle



3. If your roll has a three-inch cardboard core, ensure that the core adaptors supplied with the printer have been installed.

Figure 4: Removing the stop from the spindle



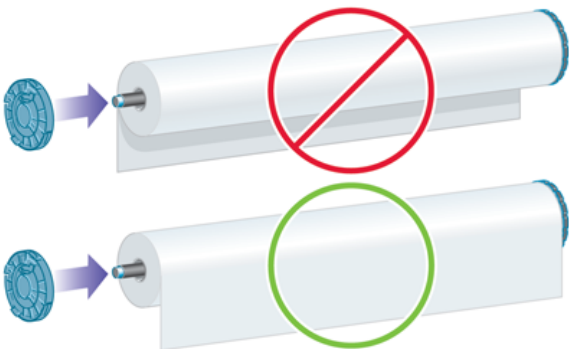
4. If the roll is long; rest the spindle horizontally on a table and load the roll on the table.

**NOTE:** You may need two people to handle a large roll.

5. Slide the new roll onto the spindle. Make sure the paper type is oriented as shown. If it is not, remove the roll, turn it 180 degrees and slide it back on to the spindle. There are labels on the spindle showing the correct orientation.

**NOTE:** From the back of the printer, the blue stopper is inserted into the right-side holder.

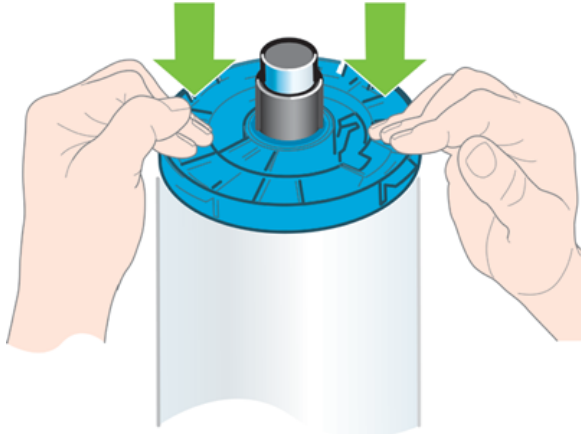
Figure 5: Sliding the roll onto the spindle



Ensure both ends of the roll are as close to the spindle stops as possible.

6. Put the blue paper stop on to the open end of the spindle, and push it towards the end of the roll.

Figure 6: Replacing the stop on the spindle



7. Ensure the blue paper stop is pushed in as far as it goes; until both ends are against the stoppers.

If you are a regular user of different paper types, you can change rolls more quickly if you preload rolls of different paper types on different spindles. Extra spindles are available for purchase.

#### Additional support options



Try one of our automated tools or diagnostics

[See solutions](#)



Ask a question on our HP Support Community page

[Go now](#)



Get in touch with one of our support agents

[Contact us](#)

About Us

- Contact HP
- Careers
- Investor relations
- Sustainable impact
- Press center
- The Garage

Ways to buy

- Shop online
- Call an HP rep
- Find a reseller
- Enterprise store
- Public sector purchasing

Support

- Download drivers
- Support & troubleshooting
- Community
- Register your product
- Authorized service providers
- Check repair status
- Training & certification
- Fraud alert
- Security Center

HP Partners

- HP Partner First program
- HP Partner Portal
- Developers

Stay connected

