

Epson Stylus® Pro 7890/9890

USER'S GUIDE

All rights reserved. No part of this publication may be reproduced, stored in a retrieval system, or transmitted in any form or by any means, electronic, mechanical, photocopying, recording, or otherwise, without the prior written permission of Seiko Epson Corporation. The information contained herein is designed only for use with these Epson printers. Epson is not responsible for any use of this information as applied to other printers.

Trademarks

EPSON, Epson Stylus, Epson UltraChrome K3, MicroWeave, and SpectroProofer are registered trademarks; and EPSON Exceed Your Vision is a registered logomark of Seiko Epson Corporation.

UltraSmooth is a registered trademark; AccuPhoto, DisplayTrans, ePlaten, and PhotoEnhance are trademarks; and Epson Preferred is a service mark of Epson America, Inc.

General Notice: Other product names used herein are for identification purposes only and may be trademarks of their respective owners. Epson disclaims any and all rights in those marks.

This information is subject to change without notice.

Legal Notices

Neither Seiko Epson Corporation nor its affiliates shall be liable to the purchaser of this product or third parties for damages, losses, costs, or expenses incurred by purchaser or third parties as a result of: accident, misuse, or abuse of this product or unauthorized modifications, repairs, or alterations to this product, or (excluding the U.S.) failure to strictly comply with Seiko Epson Corporation's operating and maintenance instructions.

Seiko Epson Corporation shall not be liable for any damages or problems arising from the use of any options or any consumable products other than those designated as Original Epson Products or Epson Approved Products by Seiko Epson Corporation.

FCC Compliance Statement

For United States Users

This equipment has been tested and found to comply with the limits for a Class B digital device, pursuant to Part 15 of the FCC Rules. These limits are designed to provide reasonable protection against harmful interference in a residential installation. This equipment generates, uses, and can radiate radio frequency energy and, if not installed and used in accordance with the instructions, may cause harmful interference to radio or television reception. However, there is no guarantee that interference will not occur in a particular installation. If this equipment does cause interference to radio and television reception, which can be determined by turning the equipment off and on, the user is encouraged to try to correct the interference by one or more of the following measures:

- Reorient or relocate the receiving antenna.
- Increase the separation between the equipment and receiver.
- Connect the equipment into an outlet on a circuit different from that to which the receiver is connected.
- Consult the dealer or an experienced radio/TV technician for help.

WARNING

The connection of a non-shielded equipment interface cable to this equipment will invalidate the FCC Certification of this device and may cause interference levels which exceed the limits established by the FCC for this equipment. It is the responsibility of the user to obtain and use a shielded equipment interface cable with this device. If this equipment has more than one interface connector, do not leave cables connected to unused interfaces. Changes or modifications not expressly approved by the manufacturer could void the user's authority to operate the equipment.

For Canadian Users

This Class B digital apparatus complies with Canadian ICES-003.

Cet appareil numérique de la classe B est conforme à la norme NMB-003 du Canada.

Contents

Introduction

Warnings, Cautions, Notes, and Tips	11
Options and Accessories.	12
Where To Get Help.	13
Macintosh System Requirements	13
Windows System Requirements.	14
Important Safety Instructions	15
Ink Cartridge Safety Instructions.	17
Printer Parts.	18
Front.	18
Back	18
Control Panel	19
LCD Screen	19

1 Setting Up the Printer

Unpacking and Assembling the Printer	21
Unpacking and Assembling the Stand.	22
Unpacking the Printer and Mounting It on the Stand.	25
Attaching the Paper Basket (Epson Stylus Pro 7890).	27
Attaching the Paper Basket (Epson Stylus Pro 9890).	34
Completing Setup and Connecting the Power Cord	42
Installing Ink	46
Connecting to Your System	48
Installing the Software for Macintosh	49
Installing the Software for Windows	50
Updating Your Printer Firmware	52
Checking the Current Firmware Version.	52
Downloading and Updating the Firmware	53
Configuring the Printer's Network Adapter	54

2 Handling Paper and Other Media

Selecting Media for Your Printer	55
Available Epson Special Media	56
Guidelines for Using Epson Media	56

Using Roll Paper	57
Roll Paper Guidelines	57
Selecting the Paper Type	57
Setting Up Automatic Media Tracking and Identification	60
Placing the Paper in the Printer	61
Loading the Paper for Printing	66
Cutting Paper Manually with the Built-in Cutter	68
Printing Trim Lines	68
Removing Paper from the Printer	69
Using Cut Sheet Paper	72
Loading Cut Sheets	72
Loading Heavy Sheets	74
Adjusting the Platen Gap for Thick or Thin Paper	75
Using the Paper Basket	76
Catching Printouts in Front of the Printer	76
Catching Printouts Under the Printer	78
Storing the Paper Basket	80
Optimizing the Settings for Your Paper	81
Creating Paper Configurations	81
Printing Your Paper Configurations	83
Selecting Paper Configurations	83

3 Printing With Epson Drivers for Mac OS X

Sizing Images for Borderless Printing on Roll Paper	86
Choosing Page Setup and Basic Print Options	87
Choosing Color Management Options	93
Choosing Advanced Media Control Options	94
Choosing Roll Paper Options	96
Controlling Borderless Image Expansion	98
Choosing Advanced Black and White Photo Settings	99
Creating a Custom Preset and Printing	101
Managing Print Jobs	103
Selecting the Correct Media Type Setting	104

4 Printing With Epson Drivers for Windows

Sizing Images for Borderless Printing on Roll Paper	108
---	-----

Choosing Basic Print Options	109
Selecting the Correct Media Type Setting	111
Choosing Color Management Options	114
Choosing Roll Paper Options	116
Choosing Cut Sheet Paper Options	119
Choosing Page Layout Options	122
Choosing Advanced Black and White Photo Settings	123
Choosing Paper Configuration Options	125
Saving, Exporting, and Importing Custom Settings	129
Saving and Exporting a Custom Settings Group	129
Importing a Custom Settings Group	130
Loading a Pre-Defined Settings Group	130
Editing Printer Driver Settings	131
Managing Print Jobs	132
Using the Progress Meter	132
Optimizing Print Speed	133
Setting Monitoring Preferences	135

5 Managing Color With Profiles

Mac OS X Printing With a Color Profile	137
Setting Up Photoshop and Assigning a Profile	137
Selecting Print Settings and Printing	140
Windows Printing With a Color Profile	141
Setting Up Photoshop and Assigning a Profile	141
Selecting Print Settings and Printing	143

6 Maintaining and Transporting the Printer

Checking Printer Status	145
Printing Status Information	146
Viewing Status Information	146
Checking Printer Status From the Printer Driver	147
Checking and Cleaning the Print Head	148
Running the Nozzle Check and Head Cleaning Utilities	148
Checking and Cleaning the Print Head Using the Control Panel	149
Automatically Checking and Cleaning the Print Head	150
Running Cleaning Cycles	151
Aligning the Print Head	152

Replacing Ink Cartridges	153
Switching Black Ink Mode	157
Changing the Date and Time	157
Using Maintenance Mode	158
Replacing the Paper Cutter	159
Removing the Old Cutter	159
Installing the New Cutter	161
Replacing the Maintenance Tank	163
Cleaning the Printer	165
Transporting or Storing the Printer	167
Preparing the Printer for Shipment	167
Moving the Printer on the Stand	169
Setting Up the Printer After Transportation	170

7 Solving Problems

Diagnosing Problems	171
Checking Error Messages and Lights	172
Auto Take-Up Reel Error Messages	176
Improving Print Quality	177
Solving Operational Problems	180
Solving Miscellaneous Printing Problems	181
Solving Paper Problems	183
Fixing Paper Eject Problems	184
Clearing Paper Jams	185
Solving Problems With the Optional Auto Take-Up Reel	187
Uninstalling and Reinstalling the Printer Driver	187
Mac OS X	187
Windows	188

A Specifications

Clearing Stored Print Information	189
Environmental	189
Electrical	190
Dimensions and Weight	190
Printer Interfaces	190
Safety Approvals	191

Media	191
Roll Paper	191
Cut Sheets	194
Printable Area	198
Ink Cartridges	198

B Using the Optional Auto Take-Up Reel

Loading Roll Paper Onto the Take-Up Reel	200
Winding Prints Forward	201
Winding Prints Backward	202
Printing Using the Auto Take-Up Reel	203
Reversing the Paper Stops for a 2-inch Paper Reel Core	204
Installing a Take-Up Reel Core	206

C Control Panel

Control Panel Buttons and Lights	209
Buttons	209
Lights	211
LCD Screen Icons	212
Menu Setting Summary	213

Index

Introduction

This *User's Guide* provides important information on setting up and using your printer, loading paper, using the Epson® printer drivers, and replacing ink cartridges. It also tells you how to maintain your printer to keep it working at its best, and provides troubleshooting tips in case you have a problem.

For additional information, see the following:

- The *Quick Reference Guide* provides a handy summary of procedures for daily use and printer maintenance—loading paper, replacing ink cartridges and other components, cleaning and aligning the print head, and using the printer's menu system. Attach it to your printer for easy reference.
- The on-screen *Network Guide* provides instructions for setting up and using your printer on a network.

Warnings, Cautions, Notes, and Tips

Please follow these guidelines as you use this book:

WARNINGS must be followed carefully to avoid bodily injury.

Cautions must be observed to avoid damage to your equipment.

Notes contain important information about your printer.

Tips contain additional hints on how to get the most out of your printer.

Tip: Check the Epson Pro Imaging website at www.proimaging.epson.com for accessories and options that are currently available.

Options and Accessories

Your Epson Stylus® Pro 7890/9890 offers these optional upgrades and accessories:

Optional equipment

Option	Part number
Automatic Take-Up Reel System (Pro 9890 only); see page 199 for instructions on using this option	C12C815321
Epson SpectroProofer® 44-inch (Pro 9890 only)	SPECTRO44
Epson SpectroProofer 24-inch (Pro 7890 only)	SPECTRO24
Epson SpectroProofer 44-inch UV (Pro 9890 only)	SPECTRO44UV
Epson SpectroProofer 24-inch UV (Pro 7890 only)	SPECTRO24UV
One-year extended service plan	EPP7898B1
Two-year extended service plan	EPP7898B2
One-year SpectroProofer extended service plan	EPPSPB1

In addition, you can order these user-replaceable items:

Consumables and user-replaceable parts

Part	Part number
Replacement ink maintenance tank (see page 163)	C12C890191
Replacement printer cutter blade (see page 159)	C12C815331
Roll media adapters (2)	C12C811241
Replacement 44-inch Take-Up Reel Core (Pro 9890 only)	C815121
Ink cartridges	See page 153 for a complete list.

You can purchase optional equipment and genuine Epson ink and paper from an Epson Professional Imaging Authorized Reseller. To find the nearest reseller, visit www.proimaging.epson.com (U.S. sales), www.epson.ca (Canadian sales), or call 800-GO-EPSON (800-463-7766). Or you can purchase online at www.proimaging.epson.com (U.S. sales) or www.epson.ca (Canadian sales).

Where To Get Help

Tip: If you experience difficulty with the toll-free line or your Unit ID number, call (562) 276-1305.

Epson provides technical support and information on the installation, configuration, and operation of professional printing products through the Epson PreferredSM Limited Warranty Plan. Dial (888) 377-6611, 6 AM to 6 PM, Pacific Time, Monday through Friday. Days and hours of support are subject to change without notice.

Before you call, make sure you have your Unit ID number, which is included with the Epson Preferred Limited Warranty Plan information that came with your printer. You'll also need your printer serial number and proof of purchase.

Visit Epson's **U.S. support website** (www.epson.com/support) or **Canadian support website** (www.epson.ca/support) and select your product for solutions to common problems. You can download drivers, firmware, and documentation, get FAQs and troubleshooting advice, or e-mail Epson with your questions.

Macintosh System Requirements

To use your printer in either a stand-alone or peer-to-peer network environment, your Macintosh[®] system should meet these requirements:

- OS[®] X 10.5.8 or higher
- PowerPC[®] G5, Intel[®], or higher processor
- At least 2GB of RAM (4GB or more recommended)
- At least 32GB of free hard disk space for software and processing files
- Quad-speed (4×) or faster CD-ROM or DVD drive for installing the printer software
- For USB connection: a compliant USB Hi-Speed 2.0 port and a shielded USB “AB” cable from Series A (computer) to Series B (printer), up to 10 feet (6 m) long
- For network connection: Ethernet-equipped Macintosh and a Category 5 compatible cable

Caution: Using an improperly shielded cable—especially a cable more than 10 feet (6 m) long—may cause the printer to malfunction.

Note: USB 2.0 is required to run the printer at full speed.

Windows System Requirements




To use your printer in either a stand-alone or peer-to-peer network environment, your system should meet these requirements:

- IBM®-compatible PC with a Pentium® 4, 3 GHz or higher processor recommended
- Microsoft® Windows® 8.x, Windows 7, Windows Vista®, Windows XP Professional x32 Edition, Windows XP Professional x64 Edition, or Windows XP
- At least 2GB of RAM (4GB or more recommended)
- At least 32GB of free hard disk space for software and processing files
- Quad-speed (4×) CD-ROM or DVD drive for installing the printer software
- For USB connection: a Windows-compliant USB Hi-Speed 2.0 port and a shielded USB “AB” cable from Series A (computer) to Series B (printer), up to 10 feet (6 m) long
- For Ethernet connection: Ethernet equipped PC and a Category 5 compatible cable

Important Safety Instructions

Before using your printer, read the following safety instructions to make sure you use the equipment safely and effectively.

- The Epson Stylus Pro 7890 weighs about 186 lb (84.5 kg) and the Epson Stylus Pro 9890 weighs about 256 lb (116 kg) without the stand, paper basket, ink, or paper. Make sure you have four people lift the printer. (See page 25.)
- When setting up the printer, make sure you have enough space around it. You may need more space behind the printer if you print on large sheets of heavy stock or posterboard. (See page 21.)
- Place the printer on a flat, stable surface. The printer will not operate properly if it is tilted or at an angle.
- Avoid places subject to rapid changes in temperature and humidity. Also keep the printer away from direct sunlight, strong light, or heat sources.
- Avoid places subject to shocks and vibrations.
- Keep the printer away from dusty areas.
- Keep your entire computer system away from potential sources of electromagnetic interference, such as loudspeakers or the base units of cordless telephones.
- Place the printer near a wall outlet where the plug can be easily unplugged.
- Use only the type of power source indicated on the label.
- Connect the printer to a properly grounded outlet. Avoid using an outlet on the same circuit as a photocopier or air control system that regularly switches on and off.
- Avoid using electrical outlets controlled by wall switches or timers.
- Use only the power cord that comes with the printer. Use of another cord may result in fire or electric shock.
- The printer's power cord is designed for use with the printer only. Using it with other equipment may result in fire or electric shock.
- Do not use a damaged or frayed power cord.

Caution: Always turn the printer off using the  Power button. When you press this button, **POWER OFF** appears on the LCD screen and the  Power light flashes. Do not unplug the printer or turn off the power to the printer until the panel shuts off and the  Power light stops flashing. This ensures that the print head is safely capped.

- If you use an extension cord with the printer, make sure the total ampere rating of devices plugged into the extension cord does not exceed the cord's ampere rating. Also, make sure the total ampere rating of all devices plugged into the wall outlet does not exceed the wall outlet's ampere rating.
- Do not block or cover the openings in the printer's case.
- Do not put your hand inside the printer during printing.
- Do not move the print head by hand unless instructed to do so by an Epson service technician; otherwise you may damage the printer.
- Do not insert objects through the slots. Take care not to spill liquid on the printer.
- Do not attempt to service the printer yourself.
- Power down the printer from the control panel, unplug the printer, and refer servicing to qualified service personnel under the following conditions:

The power cord or plug is damaged; liquid has entered the printer; the printer has been dropped or the cabinet damaged; the printer does not operate normally or exhibits a distinct change in performance.
- Before transporting the printer, make sure the print head is in the far right (home) position.

For California customers only:

The lithium batteries in this product contain Perchlorate Material - special handling may apply, See www.dtsc.ca.gov/hazardouswaste/perchlorate.

Ink Cartridge Safety Instructions

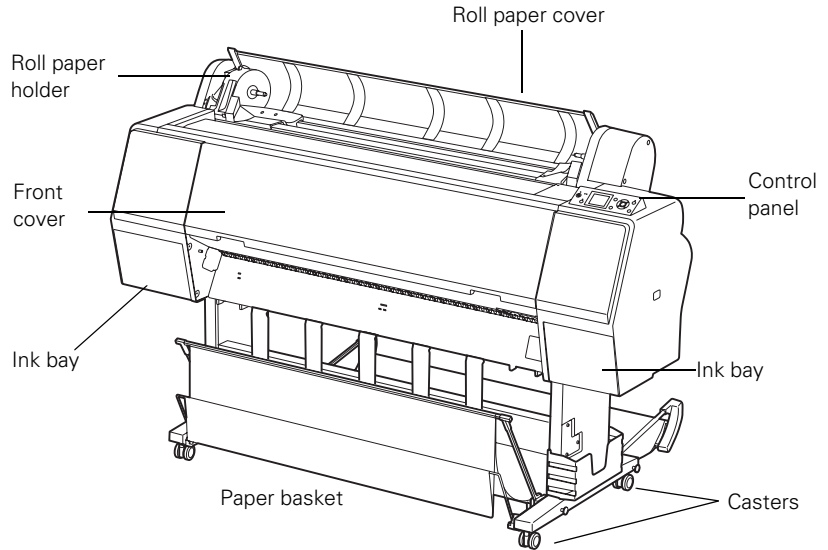
- Keep ink cartridges out of the reach of children and do not drink the ink.
- Store ink cartridges in a cool, dark place.
- If ink gets on your skin, wash it off with soap and water. If ink gets in your eyes, flush them immediately with water.
- Shake ink cartridges before installing them for best results.
- Do not use an ink cartridge beyond the date printed on the cartridge carton.
- Use up the ink cartridge within six months of installation for best results.
- Do not dismantle ink cartridges or try to refill them. This could damage the print head.
- After bringing an ink cartridge inside from a cold storage site, allow it to warm up at room temperature for at least three hours before using it.
- The IC chip on the ink cartridge retains a variety of cartridge information, which allows you to remove and reinsert it freely. However, each time the cartridge is inserted, some ink is consumed because the printer automatically performs a reliability check.
- If you remove an ink cartridge for later use, protect the ink supply area from dirt and dust, and store it in the same environment as this product. Note that there is a valve in the ink supply port, making covers or plugs unnecessary, but care is needed to prevent ink from staining items that the cartridge touches.
- Do not touch the ink supply port, its surrounding area, or the green IC chip on the side of the ink cartridge. Doing so may affect normal operation and printing.

Caution: Do not use too much force when you shake cartridges that have been previously installed.

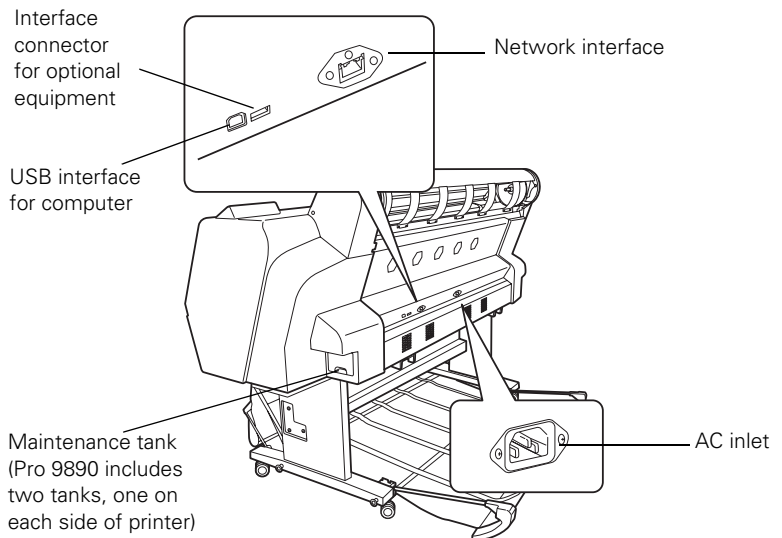
Printer Parts

These illustrations show the Epson Stylus Pro 9890, but the parts are the same for the Pro 7890 unless otherwise noted.

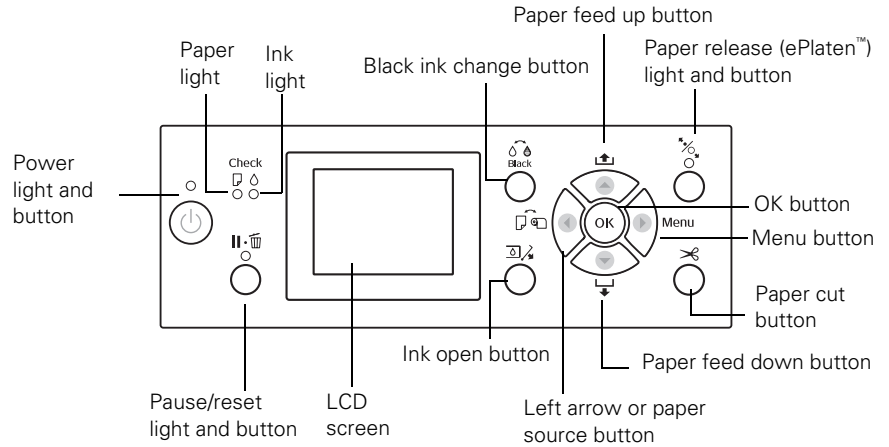
Front



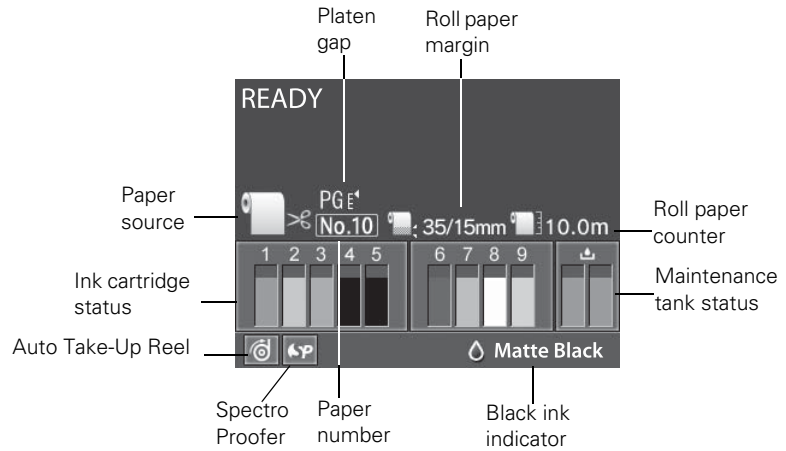
Back



Control Panel



LCD Screen



Chapter 1: Setting Up the Printer

This chapter includes the following information:

- Unpacking and assembling the Pro 7890 and Pro 9890
- Connecting the power cord
- Installing ink
- Connecting to your computer and a network
- Installing the printer software for Macintosh or Windows
- Updating the printer firmware
- Configuring the printer for a network

Unpacking and Assembling the Printer

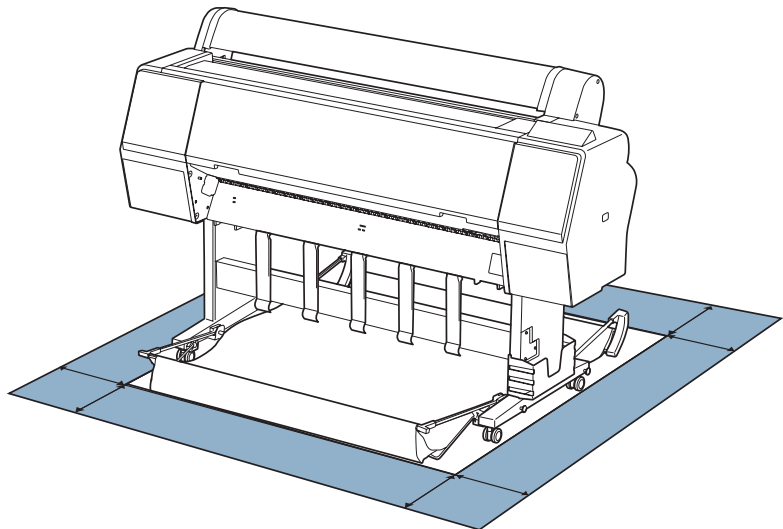
WARNING: Four people are required to unpack and set up the printer.

Note: When choosing a place for the printer, leave adequate room for easy access and ventilation. Avoid locations subject to direct sunlight, excessive heat, moisture, or dust. Also avoid locations near potential sources of electromagnetic interference, such as loudspeakers, cordless phones, TVs, or air conditioners.

Follow these steps to assemble your printer and its stand.

Before you begin, make sure you have sufficient space to set up and use the printer—at least 12 inches on all sides in addition to these dimensions:

- 53.4 × 35.6 inches (1356 × 903 mm) for the Epson Stylus Pro 7890
- 73.4 × 52 inches (1864 × 1318 mm) for the Epson Stylus Pro 9890

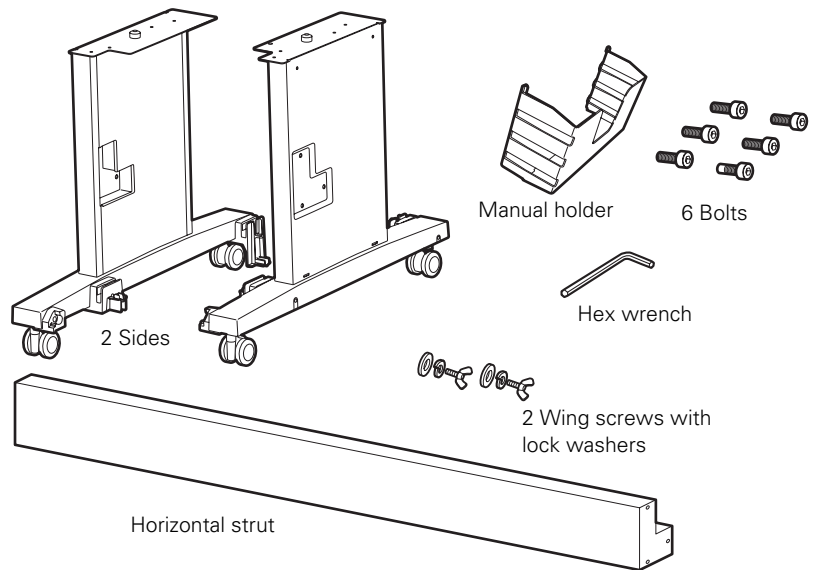


For assembly, you need floor space of approximately:

- 8 × 8 feet (2.4 × 2.4 m) for the Epson Stylus Pro 7890 and stand
- 13 × 13 feet (4 × 4 m) for the Epson Stylus Pro 9890 and stand

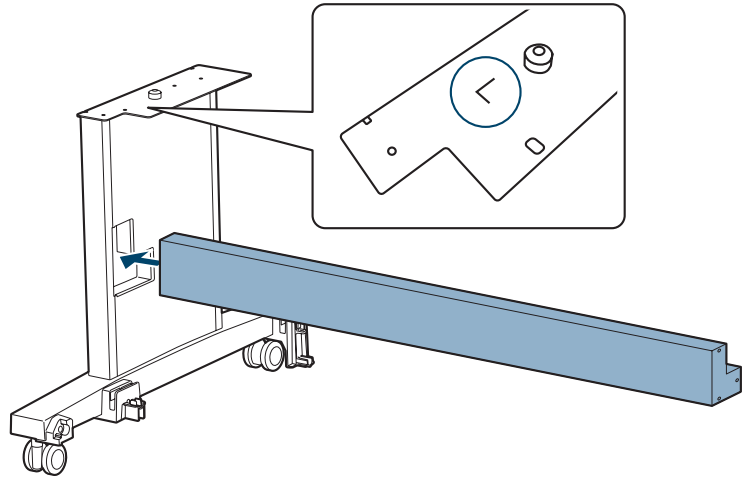
Unpacking and Assembling the Stand

1. Lift the box up and away from the shipping pallet. Then remove the box containing the stand and paper basket.
2. Unpack the stand and make sure you have all these items.

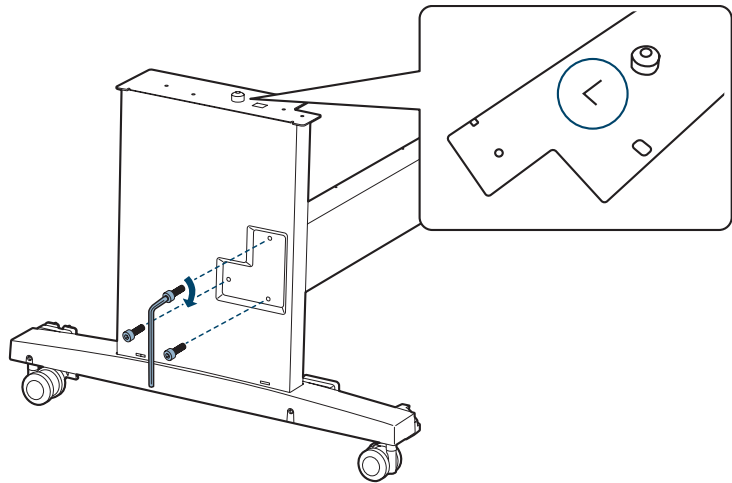


Note: Make sure you tighten all bolts before moving to the next section.

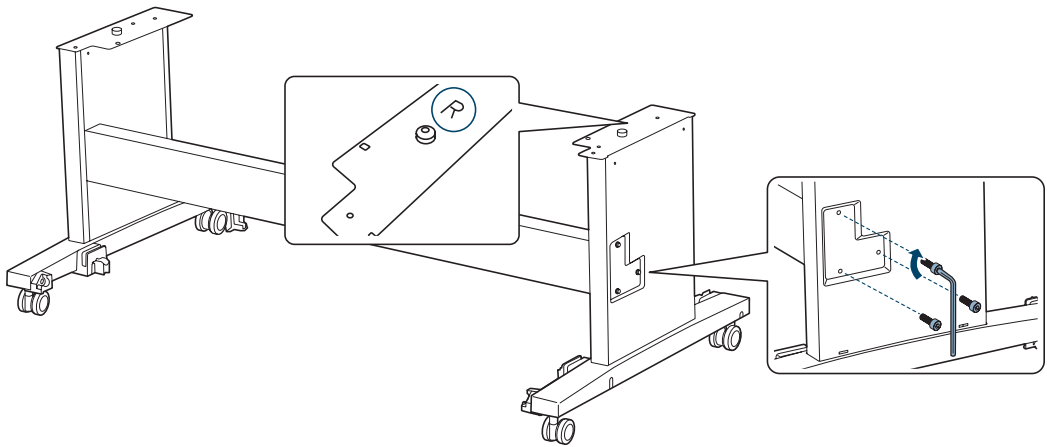
3. Insert the strut into the left side as shown. (The sides are labeled L and R.)



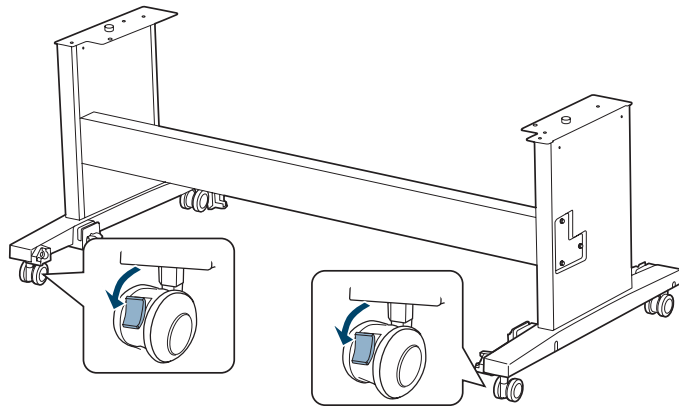
4. Fasten the strut with 3 bolts as shown. Use the hex wrench to tighten the bolts.



5. Insert the strut into the right side and fasten it with 3 bolts as shown.

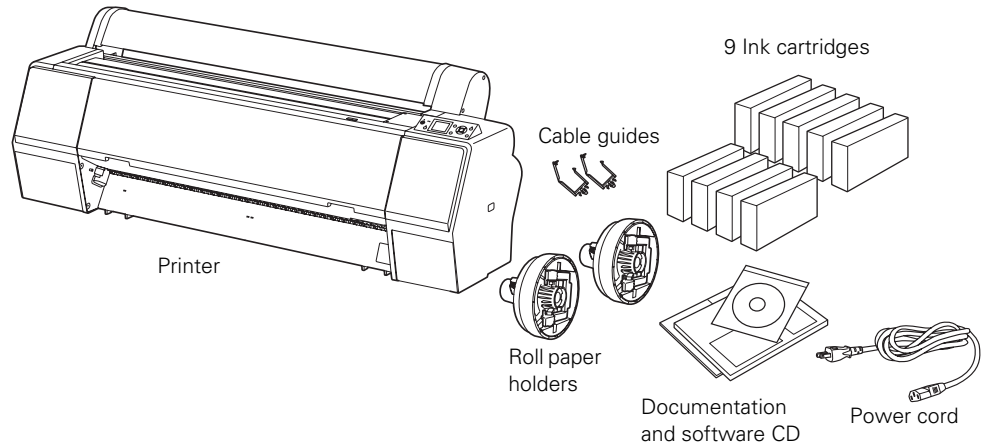


6. Lock the casters.



Unpacking the Printer and Mounting It on the Stand

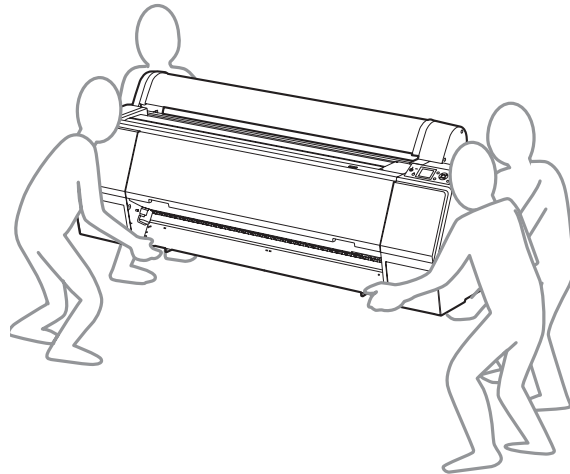
1. Make sure you have all the items shown below:



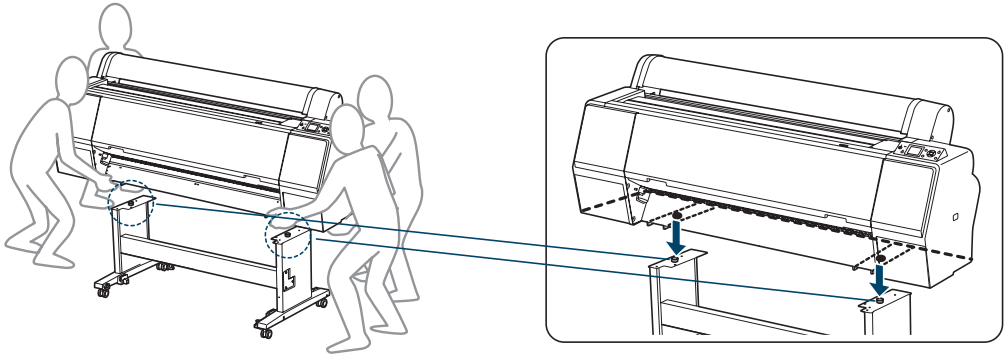
Note: Make sure you save the box and packaging in case you need to ship the printer.

2. Remove the cardboard panels and other packing materials from around the printer.
3. Have four people lift the printer.

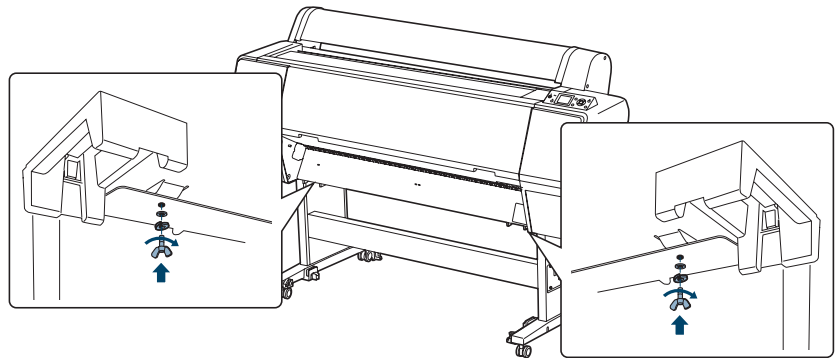
WARNING: Four or more people are required to lift the printer.



4. Mount the printer on the stand as shown, aligning the pegs with the holes on the bottom of the printer.



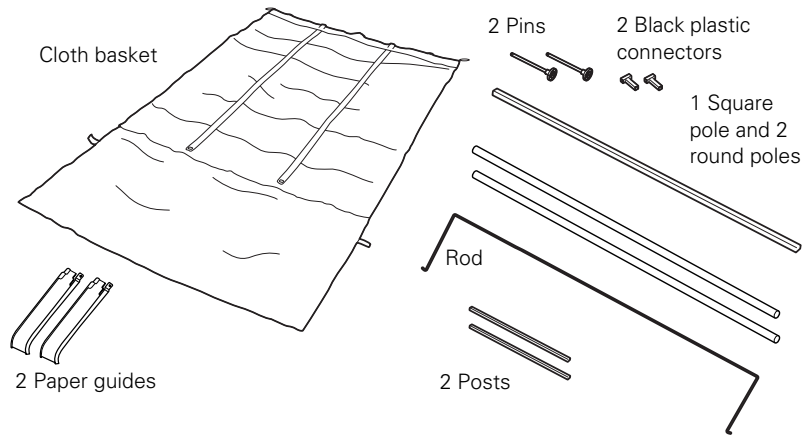
5. Fasten the printer to the stand with the wing screws and washers.



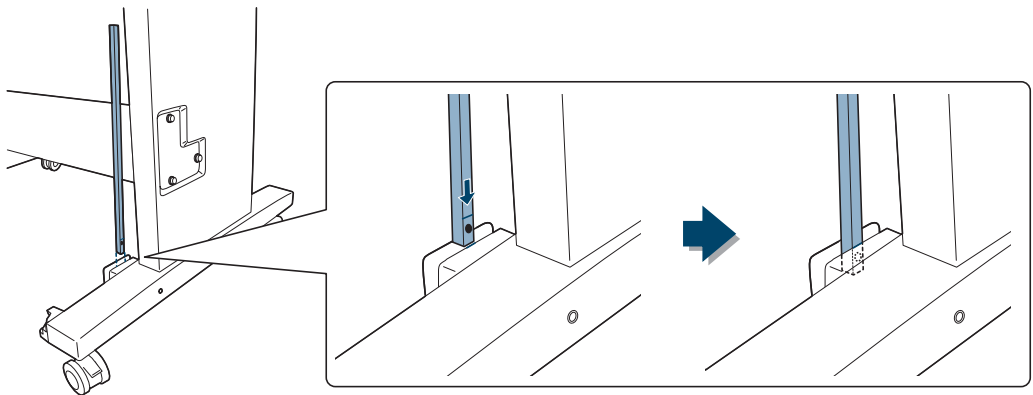
Attaching the Paper Basket (Epson Stylus Pro 7890)

The paper basket is a cloth sheet that attaches to the printer stand and catches your prints as they come out. If you have the Epson Stylus Pro 9890, see page 34 for instructions on attaching the paper basket.

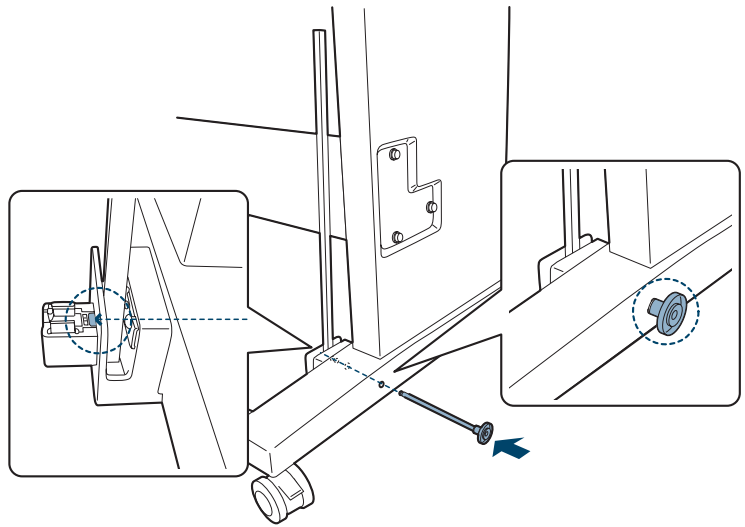
1. Make sure you have all the parts shown below:



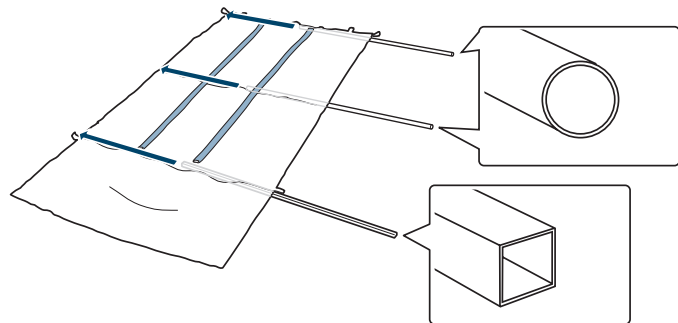
2. Attach the two short posts as shown, one on each side of the stand.



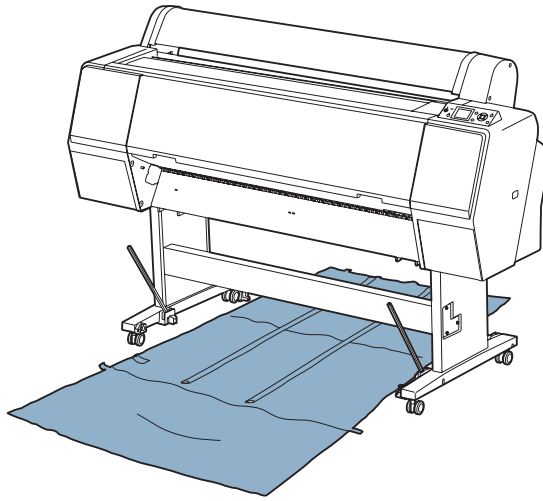
3. Use the pins to fasten the posts in place.



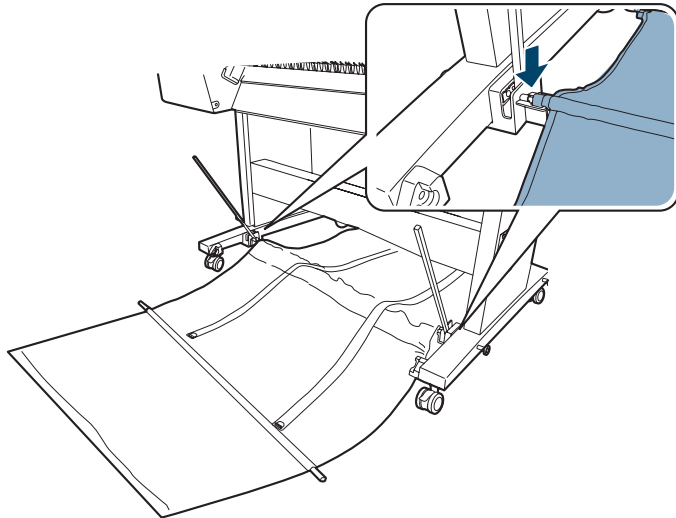
4. Insert the round and square poles into the basket cloth as shown.



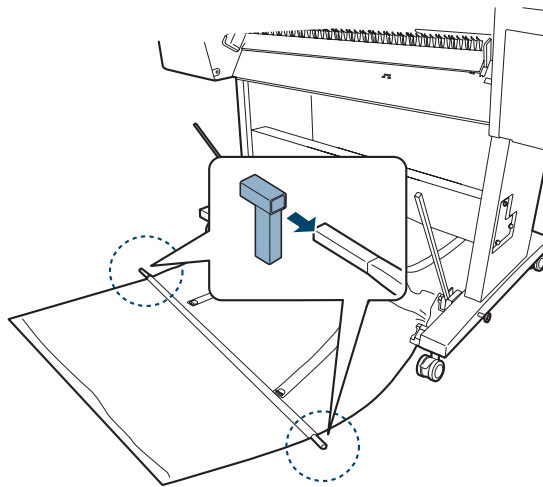
5. Place the basket under the printer as shown.



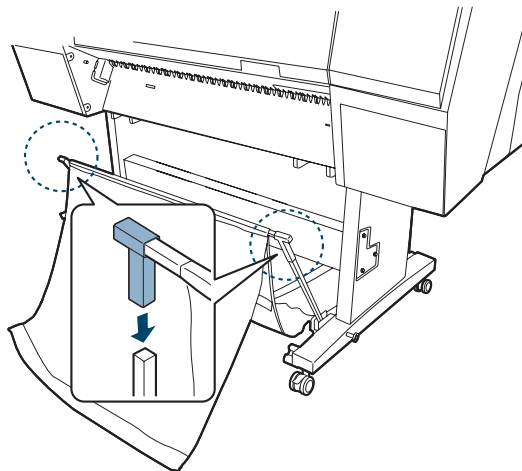
6. Snap the center pole into the holders on each side of the stand.



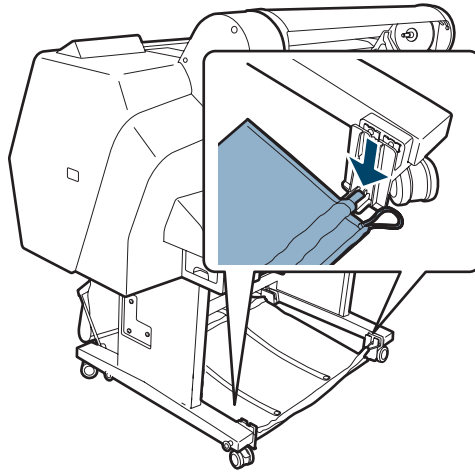
7. Insert the black plastic connectors into both ends of the square pole.



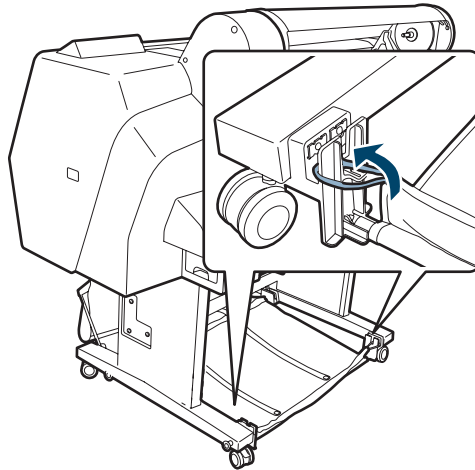
8. Fasten the black plastic connectors onto the posts on each side of the stand.



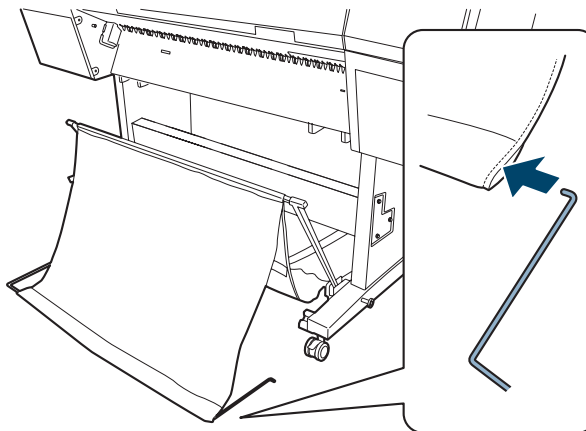
9. Snap the back pole into the holders as shown.



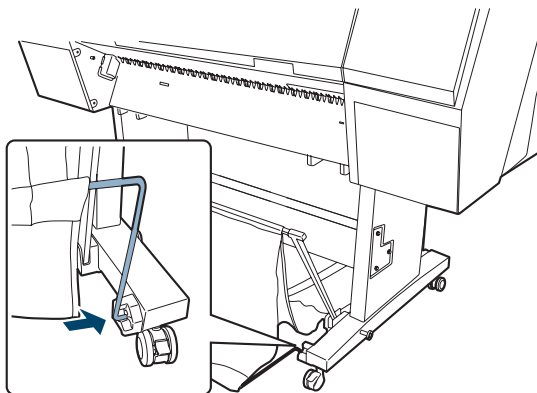
10. Hook the loops around the pins on the back of the stand legs.



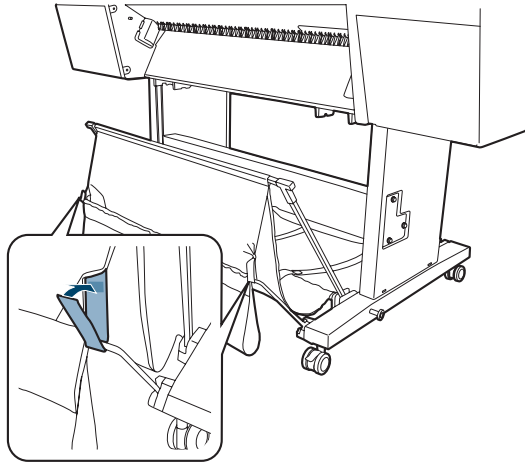
11. Insert the rod into the fabric channel.



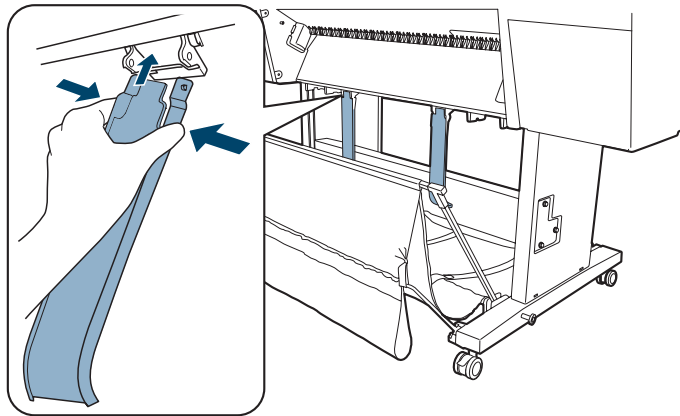
12. Insert the free ends of the rod into the holes in the sides of the stand.



13. Loop the tabs over the ends of the rod as shown.



14. Attach the paper guides to the bottom of the printer as shown:

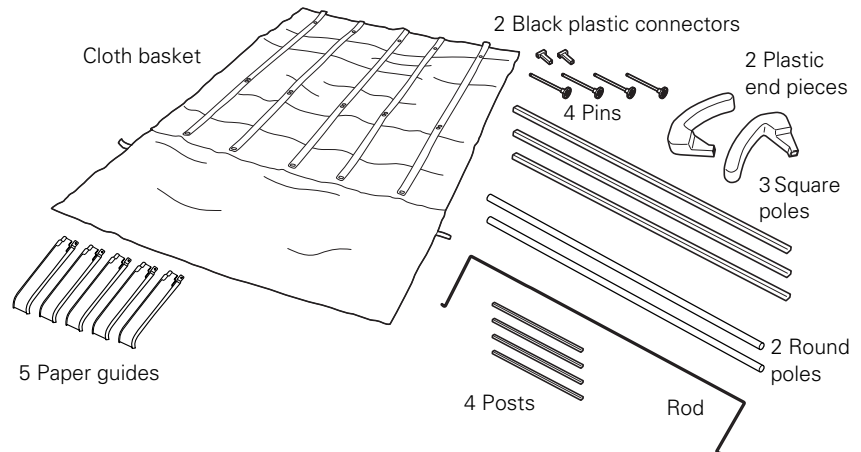


Now go to “Completing Setup and Connecting the Power Cord” on page 42.

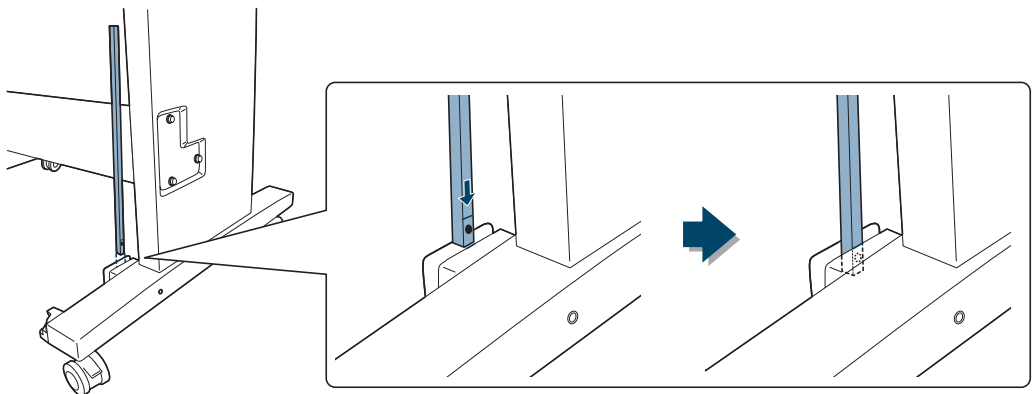
Attaching the Paper Basket (Epson Stylus Pro 9890)

The paper basket is a cloth sheet that attaches to the printer stand and catches your prints as they come out. If you have the Epson Stylus Pro 7890, see page 27 for instructions on attaching the paper basket.

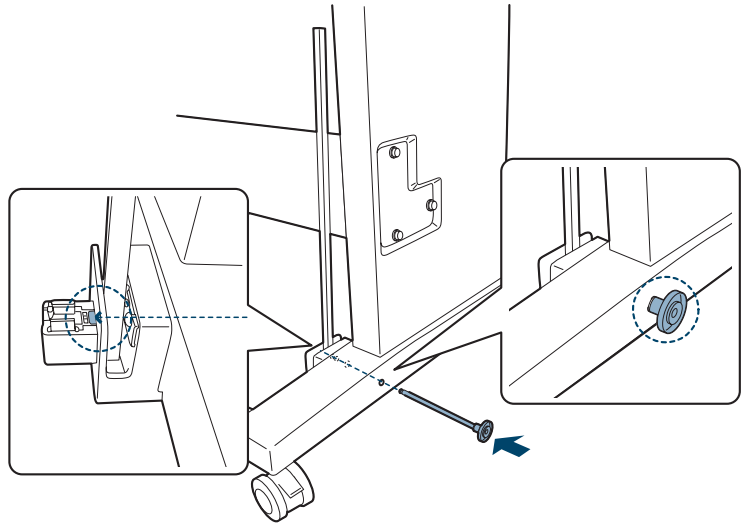
1. Make sure you have all the parts shown below.



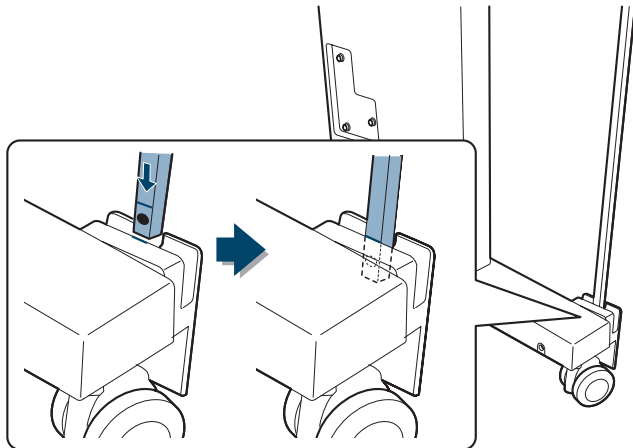
2. Attach two of the posts to the front of the stand as shown, one on each side.



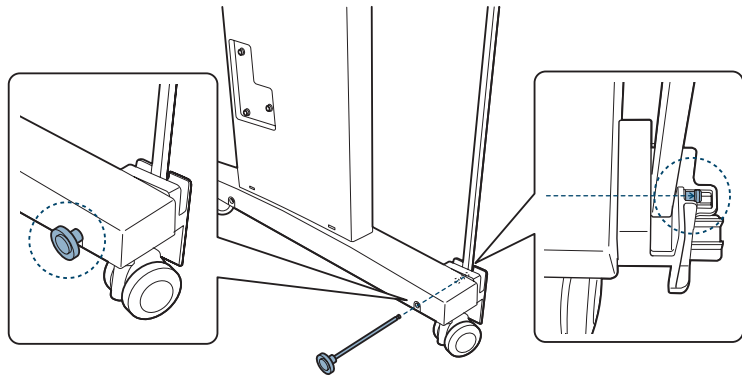
3. Use the pins to fasten the posts in place.



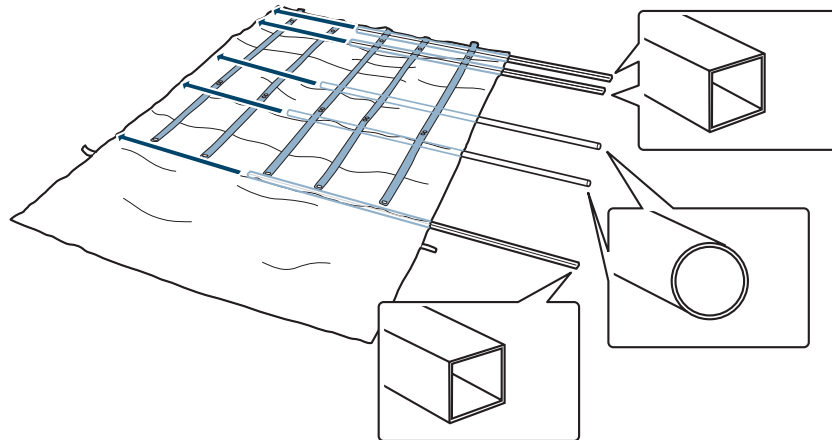
4. Attach the other two posts to the back of the stand.



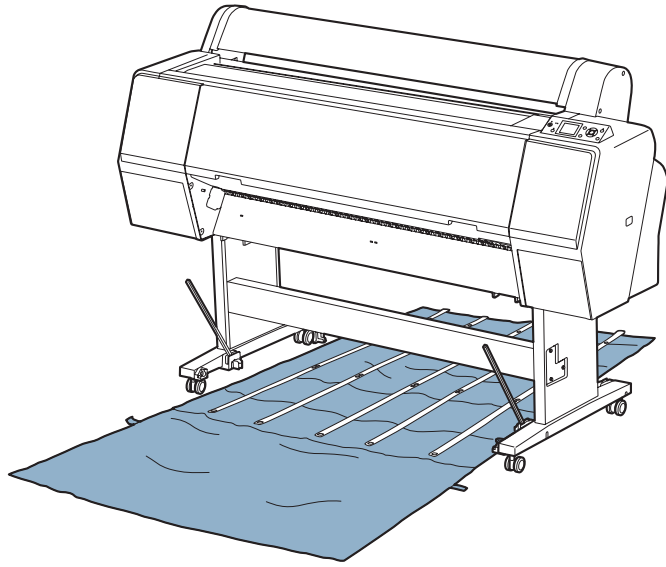
5. Use the pins to fasten the posts in place as shown.



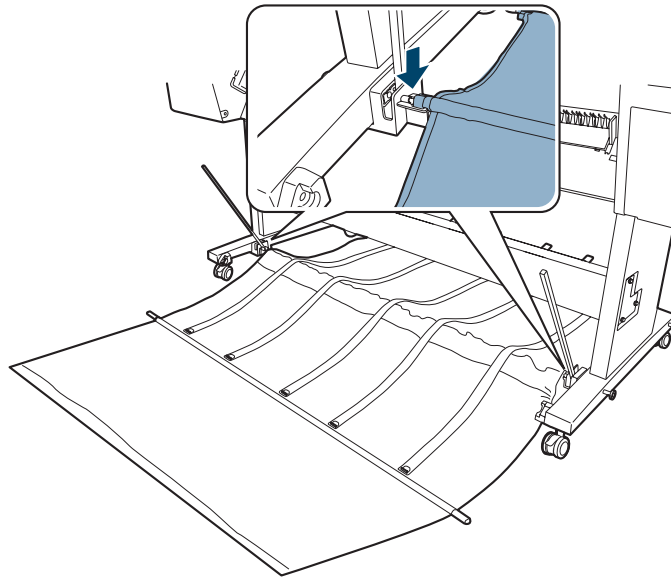
6. Insert the round and square poles into the basket cloth as shown:



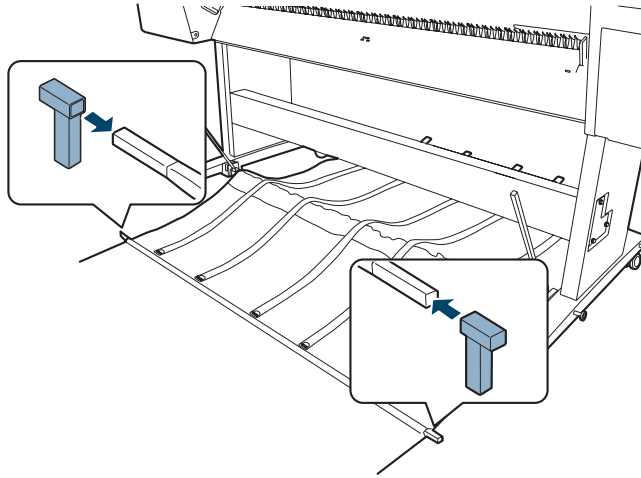
7. Place the basket under the printer as shown.



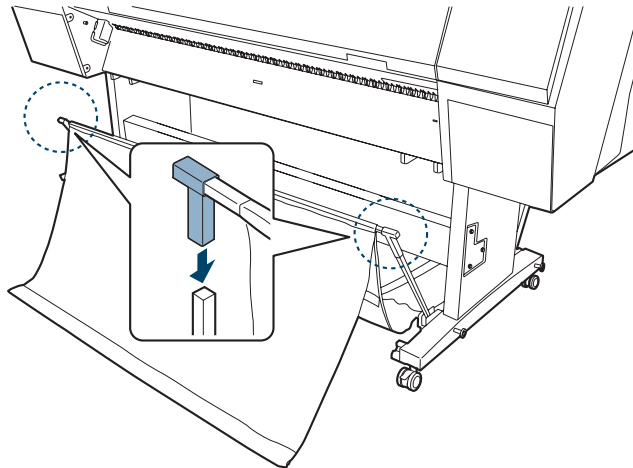
8. Snap the center pole in the holder on each side of the stand.



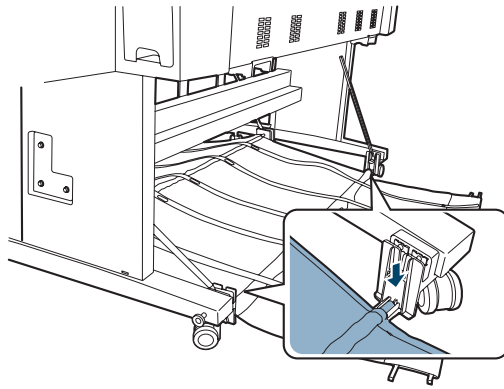
9. Insert the black plastic connectors into both ends of the square pole.



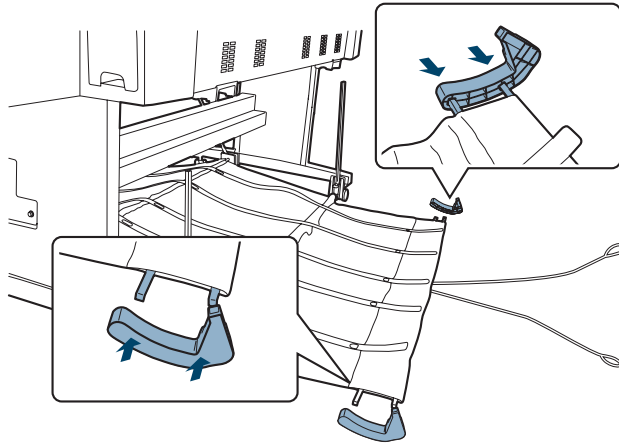
10. Fasten the black plastic connectors onto the posts on each side of the stand.



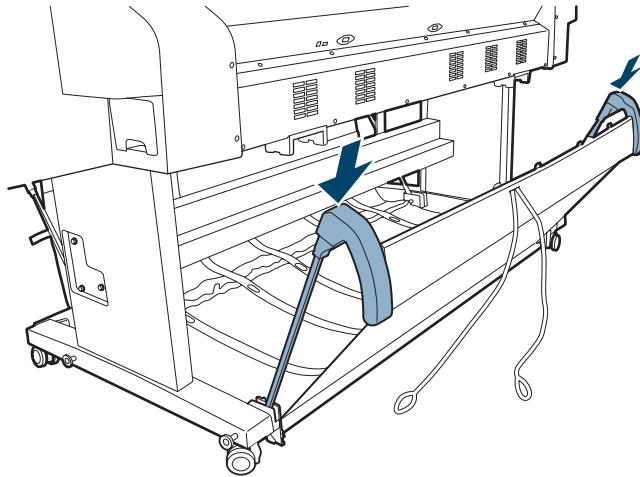
11. Snap the back pole into the holders as shown.



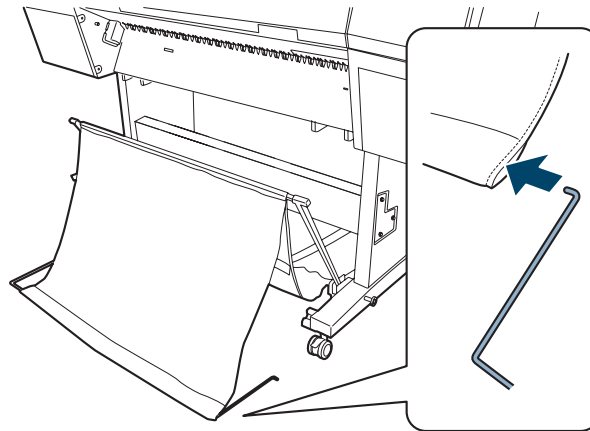
12. Attach the end pieces to the poles at the back of the basket.



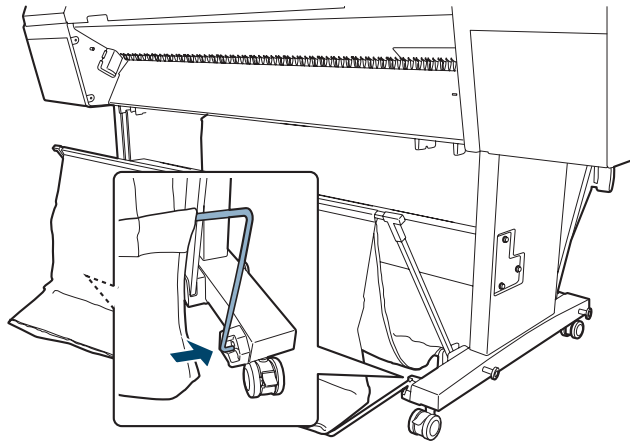
13. Lift the back of the basket and attach the end pieces to the posts at the back of the stand.



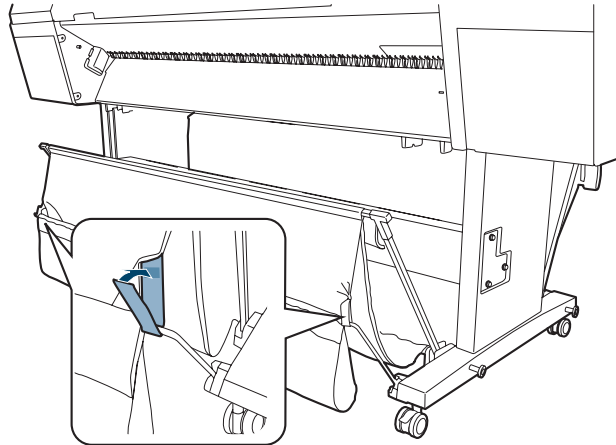
14. Insert the rod into the fabric channel.



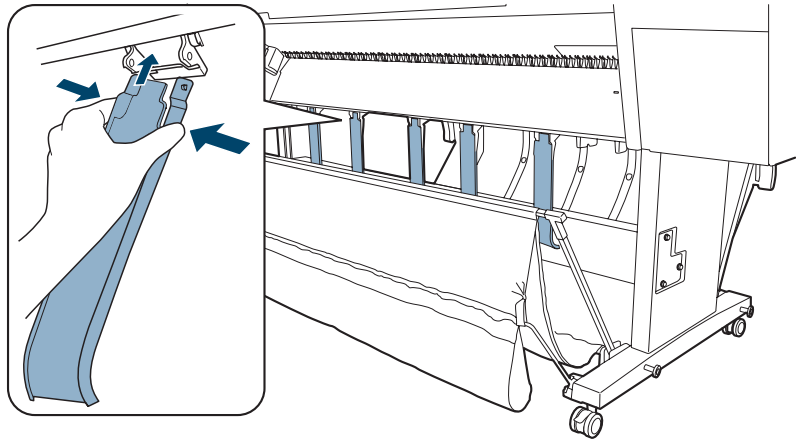
15. Insert the free ends of the rod into the holes in the sides of the stand.



16. Loop the tabs over the rod as shown.



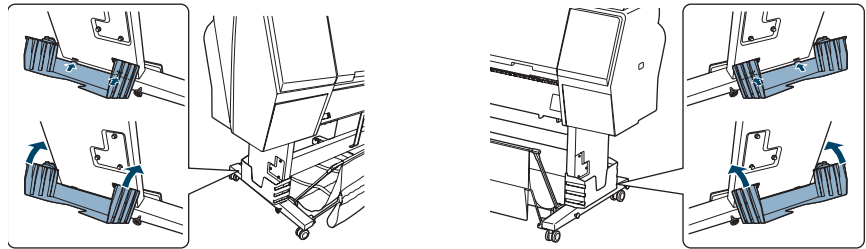
17. Attach the paper guides to the bottom of the printer as shown:



18. Continue with the next section to complete the setup process and connect the power cord.

Completing Setup and Connecting the Power Cord

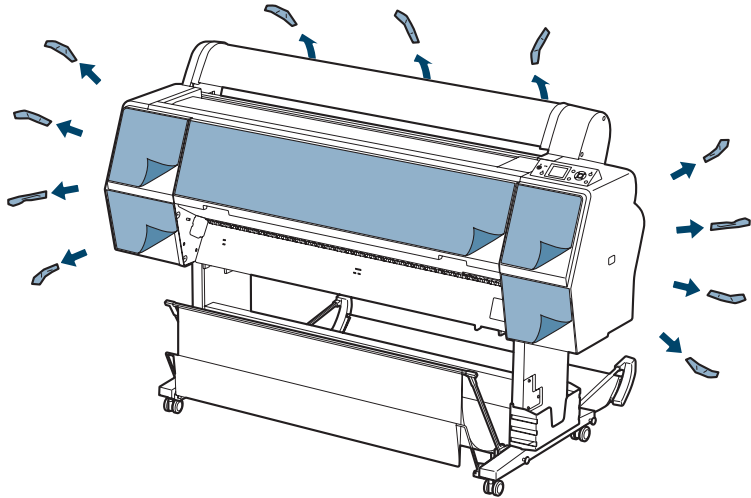
1. Attach the manual holder to the left or right side of the stand. Store the *User's Guide* in the holder.



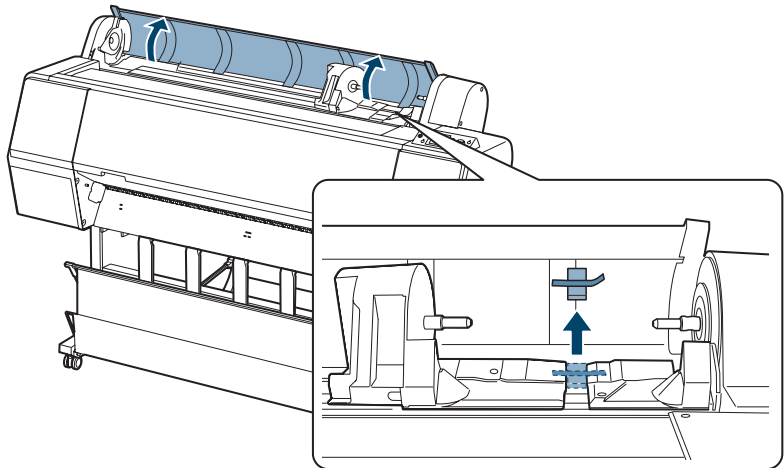
2. Unlock the casters. Then move the printer to the place of use. (The casters are meant for moving the printer for only a short distance.) Lock the casters after moving.

3. Remove any packing tape and plastic film. Check these areas:

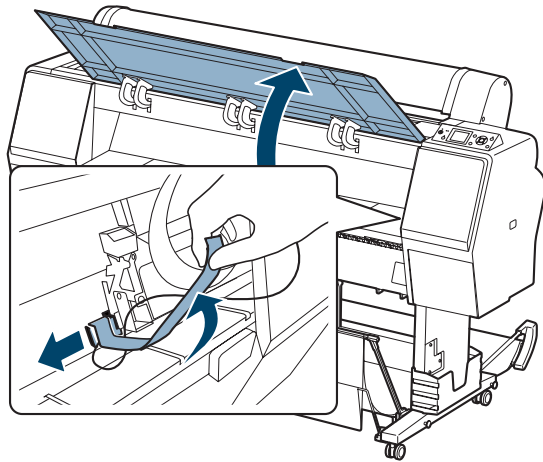
- the front cover
- the ink compartment covers
- the maintenance tank(s)



4. Open the roll paper cover and remove the tape and packing material.



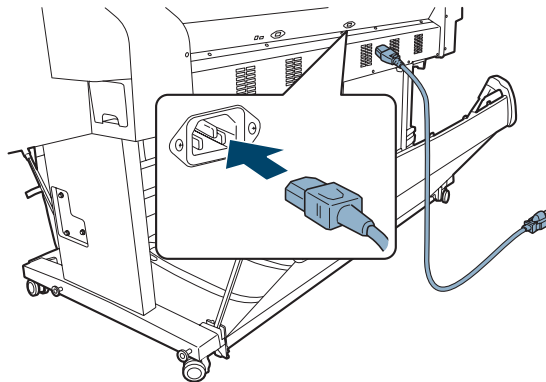
5. Open the front cover and remove the tape and packing material.



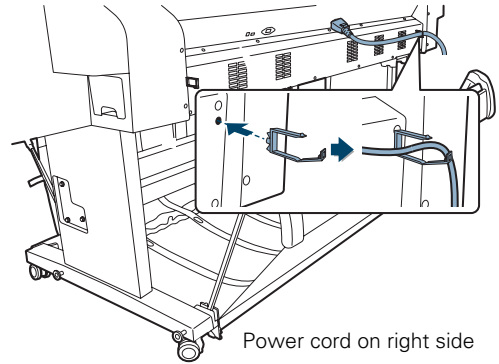
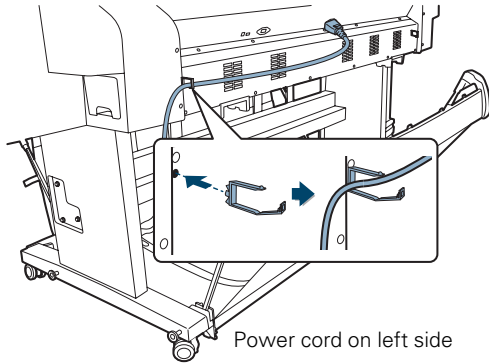
Save the packing material in case you need to ship the printer.

6. Close the front cover.
7. Connect the power cord to the AC inlet on the back of the printer.

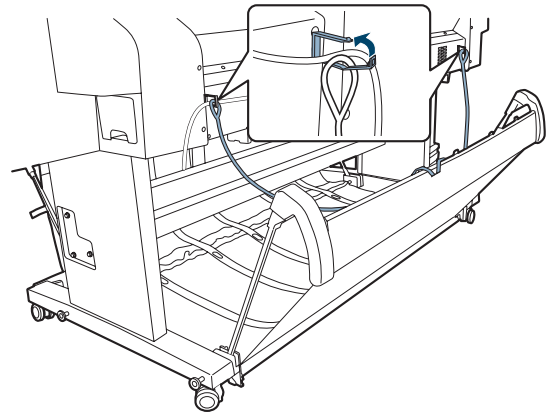
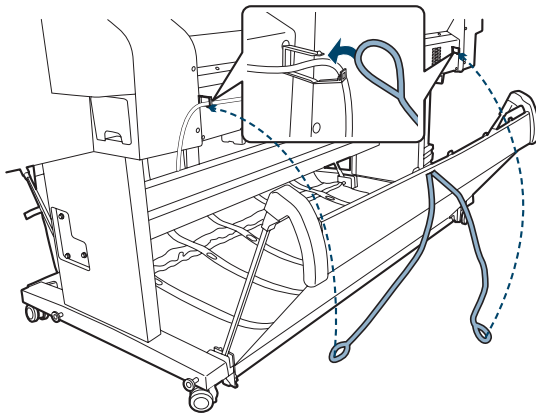
Note: The illustrations in the following sections show the Epson Stylus Pro 9890, but the instructions are the same for the Pro 7890.



- Attach the cable guides to the left or right side of the printer back and route the power cord to the side of the printer as shown.



- For the Pro 9890, attach the loops on the paper basket cords to the cable guides.




Caution: Do not use an outlet that is controlled by an automatic timer or wall switch. Otherwise, you may accidentally shut off the printer and cause damage.

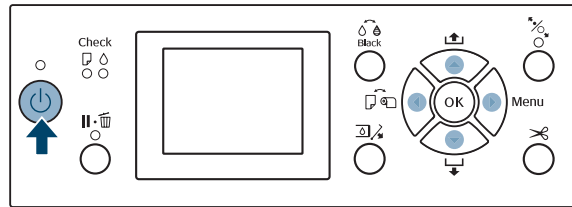
- Plug the power cord into a properly grounded electrical outlet.

Installing Ink

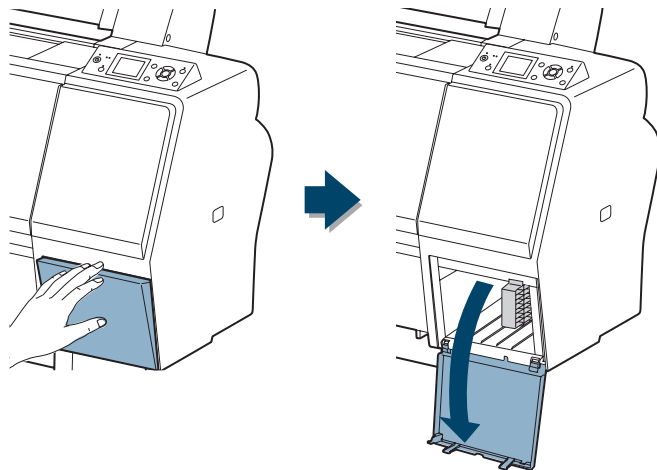
Use the ink cartridges that came with your printer for initial ink charging. During the initial installation process, it is normal for most of the ink in each cartridge to be used.

The cartridges shipped with your printer are provided mainly to charge the ink system. Make sure you order a new set of cartridges as soon as possible.

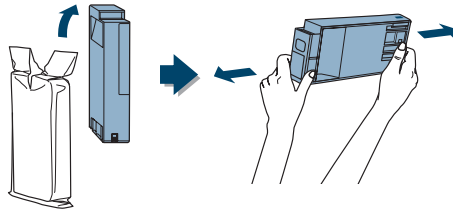
1. Press the  Power button to turn on the printer. In a moment, **INSTALL INK CARTRIDGE** appears on the LCD screen and the ink covers pop open slightly.



2. Open both ink covers.



- Remove the ink cartridges from their packages, then gently shake each cartridge for about 5 seconds.

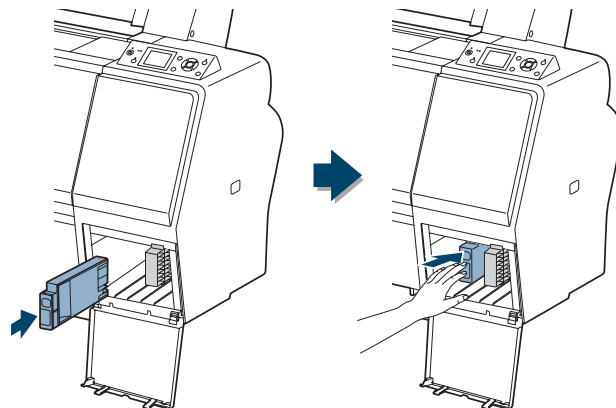



- Note the location of the slots corresponding to each cartridge.

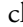
Left ink bay		Right ink bay	
Slot no.	Cartridge	Slot no.	Cartridge
1	Cyan (C)	6	Vivid Magenta (VM)
2	Yellow (Y)	7	Light Black (LK)
3	Light Cyan (LC)	8	Light Light Black (LLK)
4	Matte Black (MK)	9	Vivid Light Magenta (VLM)
5	Photo Black (PK)		

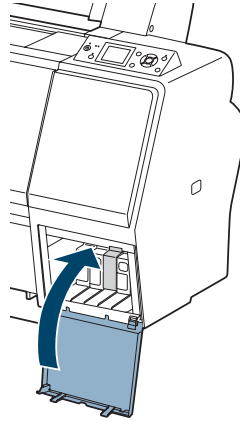
- Install the ink cartridges in the printer.

Hold each cartridge with the arrow pointing toward the printer, then insert it into its slot until it clicks into place. Make sure you insert each cartridge all the way into the correct slot.



Caution: Charging takes about 15 minutes. Never turn off the printer, remove the maintenance tank, or open the front cover or ink covers while the  Power light is flashing, or you may damage the printer.

6. After installing all 9 cartridges, close the ink covers. The printer begins charging the ink delivery system and the  Power light flashes.



After ink charging is completed, you need to load paper before **READY** will appear on the display. See page 55 for instructions.

Connecting to Your System

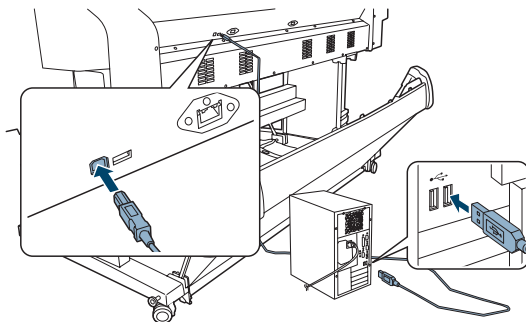
You can use USB and/or Ethernet network connections.

For USB connection, make sure your system has the appropriate port and you have a standard, shielded cable 10 feet (6 m) long or less.

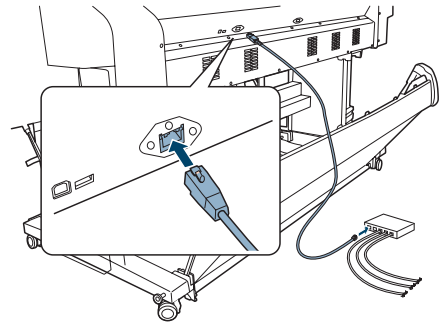
To connect to a network hub, you need a standard RJ-45 CAT-5 network cable. To connect directly to your computer's network interface, you need an RJ-45 CAT-5 crossover cable.

1. Make sure that both the printer and the computer are turned off.

2. Plug the interface cable into the appropriate port on the printer.



USB connection



Network connection


3. Plug the other end of the cable into the appropriate connector on your computer, or network switch or hub.

Installing the Software for Macintosh

Note: You can check for a newer version of your printer driver on the Epson support site at www.epson.com/support.

Note: If you see the message that the installer has detected an older version of EpsonNet Config on your system, you must uninstall the old version before you can install the new one. To uninstall, drag the **EpsonNet** folder to the trash. Then reinstall your printer software.

Follow the steps below to install the software on a Macintosh. For Windows, see page 50.

1. Make sure that your computer and printer are turned on and that the Epson Stylus Pro 7890 or Pro 9890 is connected to the computer.
2. Insert the printer software CD-ROM in your CD or DVD drive.
3. Double-click the  Epson icon.



4. Click the Epson Stylus Pro 7890 (or 9890) icon.

5. Follow the on-screen instructions to install the printer software (including the printer driver and EPSON LFP Remote Panel utility) and register your printer.
6. Click the **User's Guide** icon to place links to the *User's Guide*, *Network Guide*, and Epson Professional Imaging website on your desktop.
7. If connecting to a network, click the **Ethernet Utility** icon to install the EpsonNet Configuration utility (located in the EpsonNet folder under Applications).
8. When you're done, close the screen and eject the CD. Restart the Macintosh if prompted.

Installing the Software for Windows

Follow these steps to install the software for Windows:

1. Make sure your printer is turned off.
2. Turn on your computer.
3. Insert the printer software CD in your CD or DVD drive.
4. If the AutoPlay window appears, click **Run Setup.exe**. If you see the User Account Control screen, click **Yes** or **Continue**.


5. Click your printer model.



6. Click the **Install** button.



Note: With Windows XP, if you see a Found New Hardware Wizard screen, select **No**, **not this time**, click **Next**, and click **Next** again.

7. Read the license agreement and click **Accept**.
8. When you see a screen asking you to turn on the printer, press the printer's  **Power** button. (Make sure the printer is connected; see page 48.)

For network connection, click the **Manual** button, select the port you created for the printer, and click **OK**.

If you didn't create a port for the printer, select **FILE**.

9. When you see the final installation screen, click **Exit**.
10. Register your printer with Epson, then remove the printer software CD-ROM.
11. If you need to create a port, see the *Network Guide*.


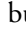

Go to the next section to update the printer firmware, if necessary.

Updating Your Printer Firmware

To keep your printer features and functionality up to date, you should check for a newer version of firmware on the Epson support site and update your printer, if necessary.

Checking the Current Firmware Version

Tip: For best results, use a USB connection when you update the firmware on your printer.

1. Press the  **Menu** button.
2. Press the  button until **PRINTER STATUS** is highlighted, then press **Menu**.
3. Press **Menu** again and note the firmware version displayed. When done, press the  button.

Downloading and Updating the Firmware

1. Click the EPSON LFP Remote Panel 2 icon on your desktop. You see the LFP Remote Panel.

2. Select your printer, then click the **Firmware Updater** button.

When you see the prompt, click **OK** to have the EPSON LFP Remote Panel utility automatically locate and download the latest firmware from the Epson website.

If you need to download the firmware manually, visit Epson's **U.S. support website** (www.epson.com/support) or **Canadian support website** (www.epson.ca/support), select your product, then click **Drivers & Downloads**.

Choose the firmware update version for Macintosh or Windows and follow the instructions on the screen.

3. Make sure your printer is turned on, its LCD screen displays **READY**, and it is connected to your computer or network, then choose your printer.
4. Click **Browse** and find the firmware file that you just downloaded and extracted. Select the file and click **Choose** or **Open**.
5. If the firmware version of the file is newer, click **Update** to start the firmware updating process. (If it is the same, you don't need to update.)
6. When the update is complete, close the Firmware Updater window and Epson LFP Remote window.

If you connected your printer to a network, follow the instructions in the next section to configure the printer for your network.

Caution: Don't turn off the printer while the firmware is updating.

Note: After you install the software, you need to load paper and print a test image. If the print quality is satisfactory, your setup is done. If not, you may need to align the print head, as described on page 152.

Note: For more information on using the LFP Remote Panel, click **Help** to see the on-screen guide.

Configuring the Printer's Network Adapter

Once the printer is connected to your network, follow these steps to configure it:

1. Turn on the printer.
2. Start EpsonNet Config. The EpsonNet Config program searches for all Epson printers on the network and displays the MAC address and IP address for each printer that it finds.



3. Highlight the printer that you want to configure and click **Configuration** to access the TCP/IP selection screen.
4. If necessary, contact your network administrator for instructions on assigning an appropriate IP address.

For more information on configuring the printer, see the on-screen *Network Guide*.

Chapter 2: Handling Paper and Other Media

The Epson Stylus Pro 7890 and Pro 9890 print on a variety of media, including roll paper and cut sheets in widths up to 24 inches (610 mm) for the Pro 7890 or 44 inches (1118 mm) for the Pro 9890. You can also use heavy stock, such as posterboard up to 59 mil (1.5 mm) thick.

This chapter includes the following information:

- Selecting media for your printer
- Using roll paper
- Using cut sheet paper
- Using the paper basket
- Optimizing the settings for your paper

Selecting Media for Your Printer

Epson offers a variety of coated, glossy, matte, and fine art paper, as well as other media, for your printer.

The following table shows the paper sizes you can use:

Supported paper sizes

	Roll paper	Cut sheets
Pro 9890		
Width	10 to 44.0 in. (203 to 1118 mm)	Letter size up to 44 in. (1118 mm)
Length	2 in. core: 147.6 ft (45 m) 3 in. core: 662.7 ft (202 m)	Up to 62.2 inches (1580 mm)
Pro 7890		
Width	10 to 24.0 in. (203 to 610 mm)	Letter size up to 24 in. (610 mm)
Length	2 in. core: 147.6 ft (45 m) 3 in. core: 662.7 ft (202 m)	Up to 36 inches (914 mm)
Maximum external roll diameter	2 in. core: 4 in. (103 mm) 3 in. core: 6 in. (150 mm)	—
Thickness	3.15 to 19.7 mil (0.08 to 0.5 mm)	3.15 to 59 mil (0.08 to 1.5 mm)

Always test samples of paper stock in the printer before purchasing large quantities or printing large jobs. If you use non-Epson paper or other media, you may need to adjust various settings and create special paper configurations. See page 81 for instructions.

Available Epson Special Media

One of the key elements for achieving professional quality prints is selecting paper that is specifically optimized for your printer. Epson offers a complete lineup of professional media for a variety of applications. Most Epson professional media are available in sizes from small cut sheets to wide-format rolls. Check the **Epson Professional Imaging website** at www.proimaging.epson.com or your Epson Professional Imaging Authorized Reseller for available media.

For more details about compatible papers, see page 191.

Guidelines for Using Epson Media

Follow these guidelines, as well as those included in your paper package, when printing on Epson paper and other media:






- Avoid touching the printable surface with your bare hands. Fingerprints may affect print quality. Handle media by the edges or use cotton gloves.
- Be careful not to bend or scratch the paper.
- Always choose the correct Media Type setting in your printer driver software before you send your job. See page 104 (Mac OS X) or page 110 (Windows) for instructions.
- Always select the correct paper source (roll or sheet) in both the printer driver software and on the printer's control panel. See page 104 (Mac OS X), or page 116 or page 119 (Windows) for instructions on selecting the paper source in your printer software.
- Keep unused media in its original packaging and store it in a cool, dry place to maintain quality. Avoid storing your printouts where they will be exposed to high temperature, humidity, or direct sunlight.
- Store sheet media on a flat surface.

Using Roll Paper

You can use roll paper with a 2- or 3-inch core and a width of up to 24 inches (61 cm) for the Pro 7890, or 44 inches (112 cm) for the Pro 9890. Manually switching rolls is a simple process.

Roll Paper Guidelines


When printing on roll paper, be sure to follow the media handling guidelines on page 56, as well as these special guidelines for roll paper:

- When storing roll paper, keep it in its original packaging—including the bag, end caps, and box.
- To avoid feeding excess paper, make sure the  Sheet icon does not appear on the LCD screen. Press the ◀ Paper Source button until the  or  roll icon appears.
- Choose  if you want the paper to be cut automatically after each page is printed.
- Choose  if you want to print a series of pages and keep them together for cutting later on or use the Auto Take-up Reel (Pro 9890 only).
- If you're loading heavy paper, you may need to increase the paper suction by pressing the ▲ Paper Feed button. For lightweight paper, decrease the suction by pressing the ▼ Paper Feed button.
- Do not leave roll paper loaded in the printer when it is not in use.

Selecting the Paper Type

Whenever you load a new type of paper, you need to select the paper type on the printer's control panel.

1. Press ► Menu.
2. Press ▲ or ▼ to select PAPER SETUP, then press ►.
3. Select PAPER TYPE, then press ►.
4. Select the paper that you are using as listed page 58, then press the OK button to save the setting.

5. Press  to exit the menu.

If your paper does not appear on the control panel, check the instructions included with the paper, or look on the Epson website (www.proimaging.epson.com). If you are using non-Epson paper, consult the manufacturer for the best setting. You may have to experiment with different settings to determine which one is best for the media you're using.


For this media	Select this Media Type setting
Photo Paper	
Carolina Cover 10pt Exhibition Fiber Paper Premium Luster Photo Paper (260) Tango Advantage 10pt Tango Blanks 18pt	Premium Luster 260
Premium Glossy Photo Paper (250)	Premium Glossy 250
Premium Semigloss Photo Paper (250)	Premium Semigloss 250
Premium Semimatte Photo Paper (260)	Premium Semimatte 260
Premium Glossy Photo Paper (170)	Premium Glossy 170
Premium Semigloss Photo Paper (170)	Premium Semigloss 170
Premium Photo Paper Glossy	Premium Glossy Sheet
Premium Photo Paper Semigloss	Premium Semigloss Sheet
Premium Photo Paper Luster	Premium Luster Sheet
Photo Paper Gloss (250)	Photo Paper Gloss 250
Proofing Paper	
Standard Proofing Paper (205) Standard Proofing Paper (240) Standard Proofing Paper SWOP 3 Standard Proofing Paper Adhesive Standard Proofing Paper Production Proofing Paper White Semimatte	Proofing Paper W Sm
Proofing Paper Publication	Proofing Paper Pub.
Proofing Paper Commercial	Proofing Paper Comm.

For this media	Select this Media Type setting
Fine Art Paper	
Cold Press Bright Cold Press Natural Hot Press Bright Hot Press Natural UltraSmooth® Fine Art Paper	Ultrasmooth Fine Art
Exhibition Canvas Matte Premium Canvas Satin Premium Canvas Matte Watercolor Paper Radiant White Exhibition Watercolor Paper Textured	Watercolor Paper
Exhibition Canvas Gloss Exhibition Canvas Satin Exhibition Canvas Natural Matte Exhibition Canvas Natural Gloss Exhibition Canvas Natural Satin	Premium Luster 260
Velvet Fine Art Paper	Velvet Fine Art
Textured Fine Art Paper	Textured Fine Art
Canvas	Canvas
Somerset Velvet	Enhanced Matte
Matte Paper	
Doubleweight Matte Paper	Doubleweight Matte
Singleweight Matte Paper	Singleweight Matte
Presentation Paper Matte	Photo Quality IJ Paper
Enhanced Matte Paper Ultra Premium Presentation Paper Matte	Enhanced Matte
Plain Paper	
Plain paper	Plain Paper
Others	
DisplayTrans™ Backlight Media DisplayTrans Backlight Film Plus Clear Film	Enhanced Matte
Enhanced Adhesive Synthetic Paper	Enhanced Adhesive Syn.
Enhanced Matte Posterboard	Enhanced Matte Board
Enhanced Synthetic Paper	Enhanced Synthetic
















Setting Up Automatic Media Tracking and Identification

Before you load roll paper in the printer, you can set up the automatic media tracking system. This system prints a barcode on the edge of the paper that indicates the media type, roll length, and the alert setting.

When the printer is turned on or roll paper is placed in the printer, the barcode is scanned and the amount of roll paper remaining is displayed on the LCD screen. You will see an alert message when the roll is nearly used up.

The barcode is printed when you press the  Paper release (ePlaten) button.

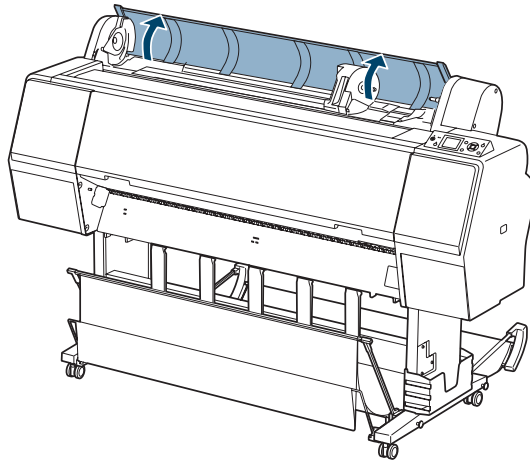
Make sure PAPER OUT appears on the control panel. Then follow these steps to set up the automatic media tracking system:

1. Press  Menu.
2. Press  or  to select PAPER SETUP, then press .
3. Press  to select ROLL PAPER REMAINING.
4. Press  to select REMAINING PAPER SETUP.
5. Press , select ON, and press OK.
6. Press  to go back to REMAINING PPR SETUP.
7. Press  to select ROLL PAPER LENGTH.
8. Press , then select the length of the roll paper loaded in the printer, from 15 to 300 ft (5 to 99.5 m), then press OK.
9. Press , then press  to select ROLL LENGTH ALERT.
10. Press , then select the length at which you want to receive an alert message, from 3 to 50 ft (1 to 15 m), then press OK.
11. Press   to exit the menu.

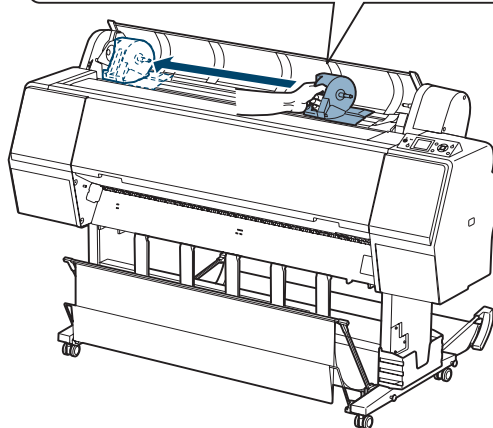
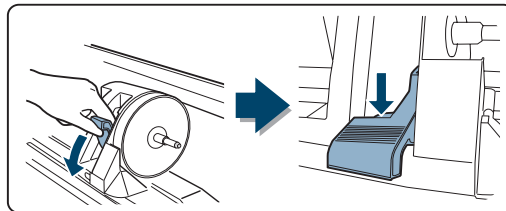
Tip: You can use Maintenance mode to switch the units of measurement in the printer from meters to feet. See page 158 for instructions.

Placing the Paper in the Printer

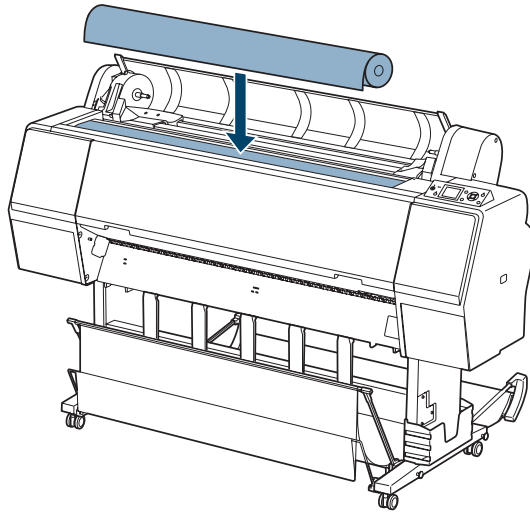
1. Open the roll paper cover.



2. Push the lock lever down firmly, then move the roll paper holder to the left.

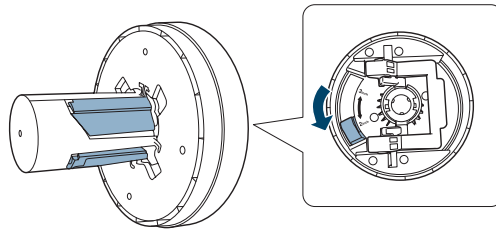


3. Place the roll on top of the printer.

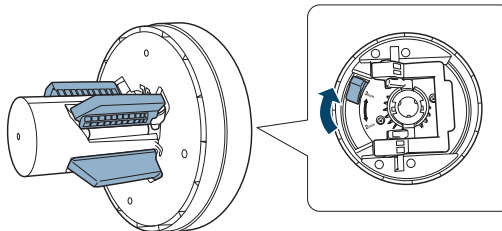


4. If necessary, adjust the roll media adapters to fit the core size of the roll paper.

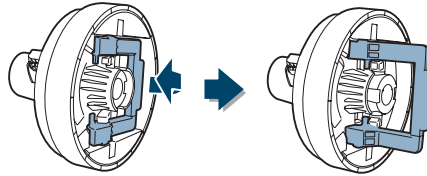
2-inch core:



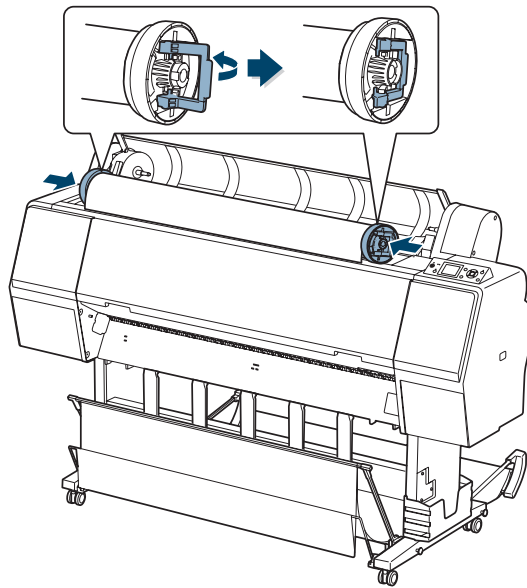
3-inch core:



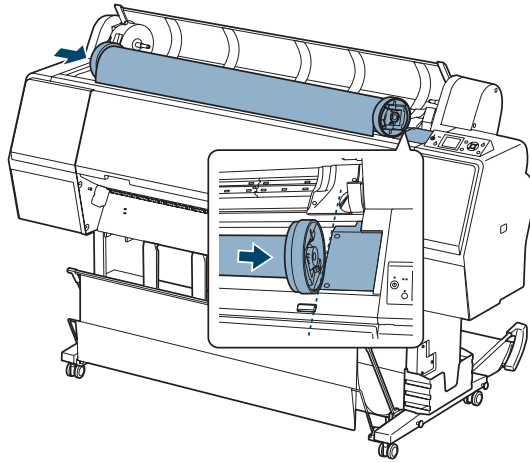
5. Release the tension lever on both adapters.



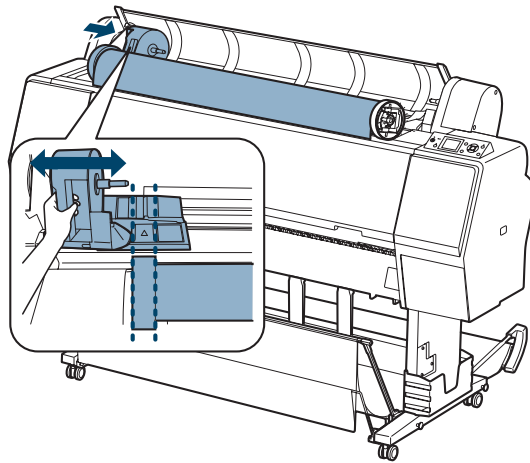
6. Push the adapters into the paper core at both ends of the roll. Then pull down the tension levers.



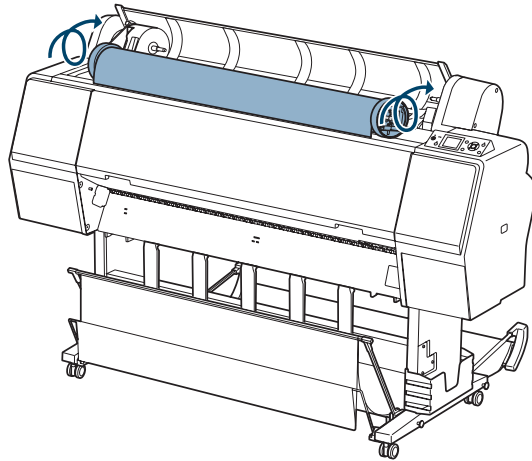
7. Move the roll paper to the right side until it touches the roll paper guide.



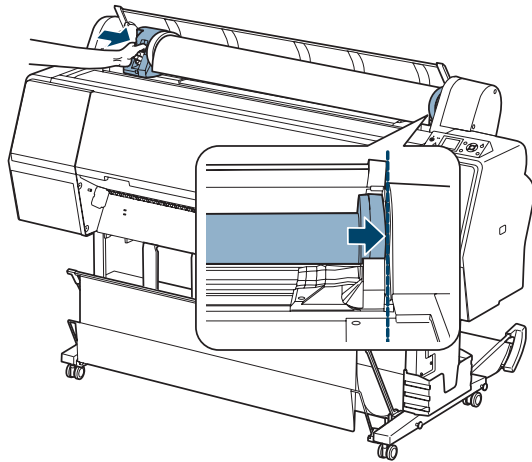
8. Slide the roll paper holder to align the left adapter with the ▲ on the holder.



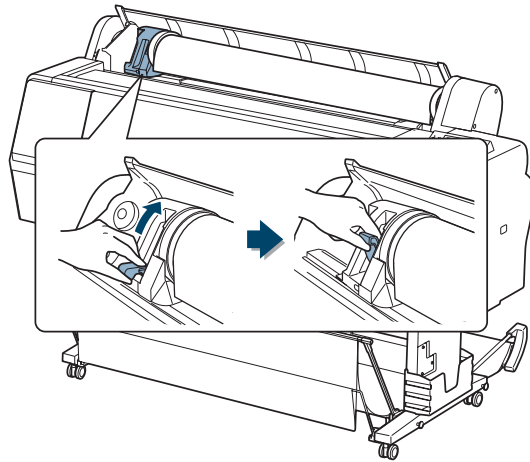
9. Roll the paper slowly into position.





10. Slide the roll paper holder to the right to secure it in the printer. Make sure both ends of the roll paper are secured in the adapters.



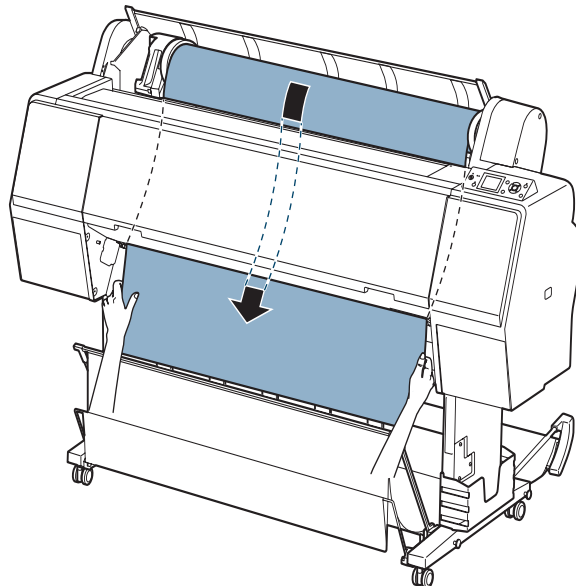
11. Pull up the lock lever to lock the paper in place.



12. If the  light is not on, press the  button.

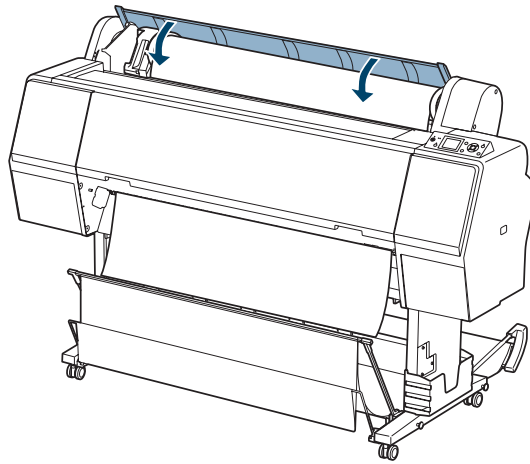
Loading the Paper for Printing




1. Insert the paper into the slot and pull it down.



If the paper doesn't come out, you may need to lower the suction by pressing the ▼ Paper Feed button. Make sure you return the suction to normal after the paper is loaded.

2. Close the roll paper cover.




3. Press the  button.
4. Press the  button to move the paper into printing position or wait for the paper to move into position automatically.
5. If you see a question on the display about paper settings, select **Yes** if the settings are correct, or select **No**, then change the settings.
6. Press **OK**.
7. If the edge of the paper is uneven or folded, press the  button to cut the edge.



Note: Opening the front cover causes printing to stop. Do not open the front cover while printing is in progress, or your print quality might be affected.

To avoid indenting or creasing the paper, remove it from the paper path and roll it up when you are not printing.

Note: The built-in cutter might not be able to cut some types of non-Epson media.


Cutting Paper Manually with the Built-in Cutter

When you're not using the Auto Cut On setting, you can cut roll paper manually by pressing a button after your print job is finished. You can use the  button to cut most types of paper.

1. Before you print, press the ◀ Paper Source button until you see the  roll (Auto Cut Off) icon on the LCD screen.
2. Run your print job.
3. Press and release the  button. When the selection menu appears, select CUT, then press OK. The paper is cut.
4. If the paper cannot be cut by the built-in cutter, press the ▼ button to feed the paper to the manual cutting position. Then cut it manually.

Printing Trim Lines

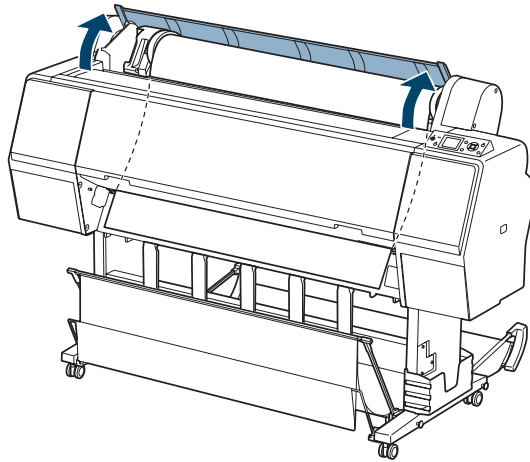
You can print trim lines on the right edge of your pages (Auto Cut On) or on the right and bottom edge (Auto Cut Off).


1. Press ► Menu.
2. Press ► Menu again to select the Printer Setup menu.
3. Press ▼ to select PAGE LINE, then press ►.
4. Press ▼ or ▲ to select ON.
5. Press OK to save the setting. A check mark appears next to ON.
6. Press  to exit the menu.

You can also specify trim lines from your printer driver software. For instructions, see page 96 (Mac OS X) or page 119 (Windows).

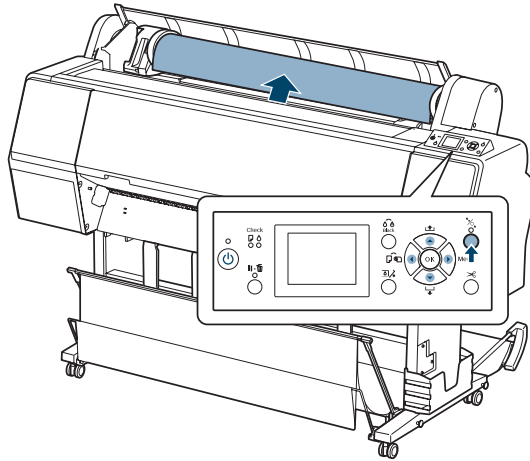
Removing Paper from the Printer

1. Open the roll paper cover.

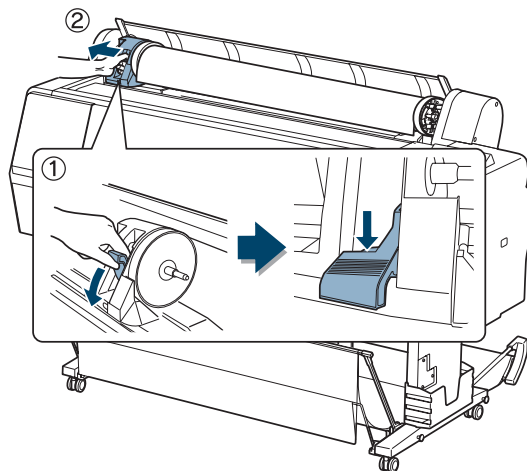


2. Press the  button to release the paper.
 - If automatic media tracking is on, the barcode and paper information is printed.
 - If you are not using the Auto Take-Up Reel, the paper is rewound automatically.

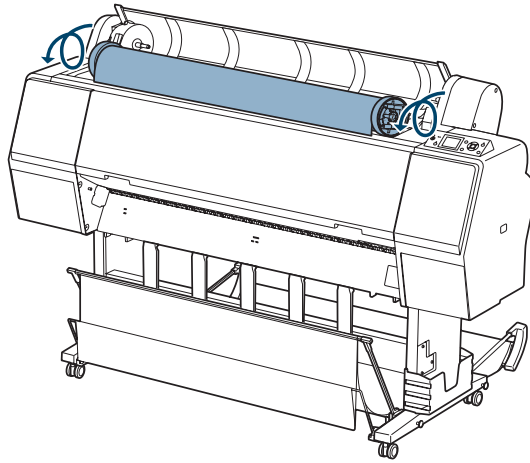
- If you are using the Auto Take-Up Reel, you need to rewind the paper manually.



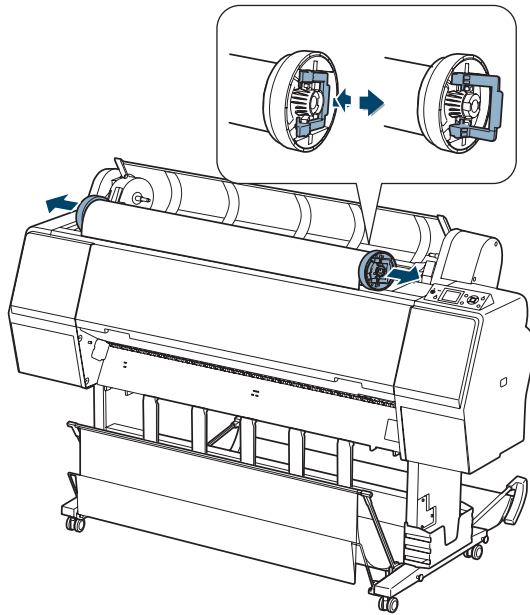
3. Push down the lock lever firmly to release it. Then move the roll paper holder all the way to the left and remove it from the roll.



4. Roll the paper forward so that it rests on top of the printer.



5. Pull up the tension levers, then remove the adapters from the paper roll.



6. Rewind the paper carefully and place it in its original package.

Using Cut Sheet Paper

You can print on many types of cut sheet paper and other media. The printer accepts sheets in widths from letter size/A4 to 24 inches (61 cm) for the Pro 7890 or 44 inches (112 cm) for the Pro 9890.

You can leave your roll paper in the printer when you print on cut sheets; make sure it is removed from the paper path and rolled up.

How you load the paper depends on its thickness:


- For most paper, see the section below.
- For stock thicker than 19 mil (0.5 mm), see page 74.


Note: For heavy paper, you may need to increase the suction by pressing the ▲ button. This helps hold the paper in place during loading and printing.

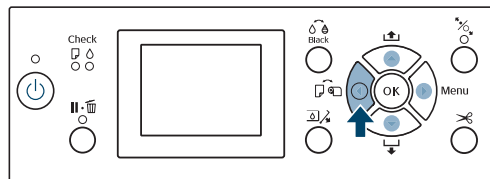
For lightweight paper, decrease the suction by pressing the ▼ button.

Loading Cut Sheets

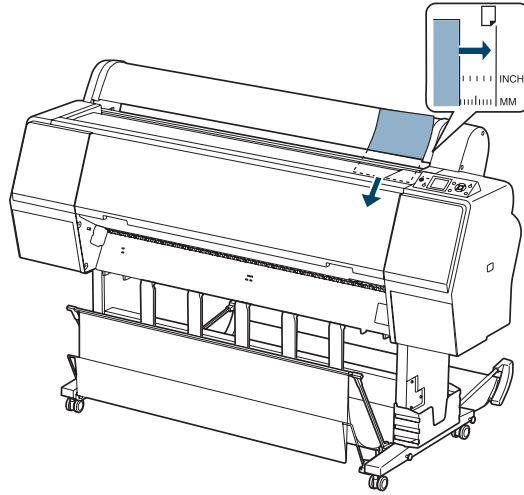
Make sure you load paper in the portrait orientation (short edge first).

You can load paper without pressing the  button. This prevents scratching and is fast and easy.

1. Make sure the printer is turned on and the roll paper cover is closed.
2. Press the ◀ Paper Source button until the  Sheet icon appears on the LCD screen.



3. Feed the sheet into the paper slot until it meets resistance. Make sure the right edge of the paper is straight and aligned with the vertical line on the roll paper cover.



4. Press ▼. The sheet feeds into printing position automatically.
5. If you see a question on the display about paper settings, select **Yes** if the settings are correct, or select **No**, then change the settings.
6. Press OK.
7. Print your page. After it is finished, the sheet stays in the printer.
8. To remove your print, press the ▼ button while holding the sheet.

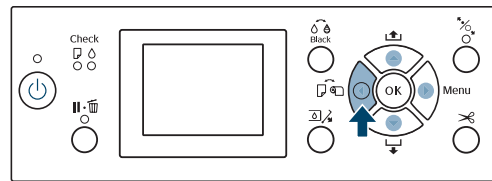
Loading Heavy Sheets

Make sure you load paper in the portrait orientation (short edge first).

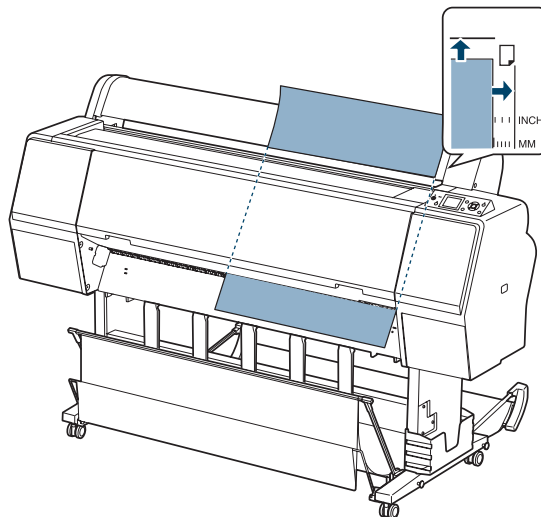
The only exception is paper that is more than 19 mil (0.5 mm) thick and 28.6 inches (728 mm) long, which should be loaded in landscape orientation (Pro 9890 only).




1. Make sure the printer is turned on and the roll paper cover is closed.
2. Press the ◀ Paper Source button until the □ Sheet icon appears on the LCD screen.

Note: You may need to increase the suction by pressing the ▲ button. This helps hold the paper in place during loading and printing.



3. Press the ▲ button.
4. Feed the sheet into the paper slot. Make sure the right and top edges of the paper are straight and aligned with the horizontal and vertical lines on the printer.









5. Press the  button.
6. Press the  button to move the paper into printing position or wait for the paper to move into position automatically.
7. If you see a question on the display about paper settings, select **Yes** if the settings are correct, or select **No**, then change the settings.
8. Press **OK**.
9. Print your page. After it is finished, the sheet stays in the printer.
10. To remove your print, press the  button while holding the sheet.

Note: If you notice head strikes on your prints, make sure your paper is flat. You can also try changing the PLATEN GAP setting to **WIDE**. If that doesn't solve the problem, try changing it to **WIDER** or **WIDEST**.





Caution: To avoid damaging the printer, make sure you do not select the **NARROW** setting when you print on thick media.

Adjusting the Platen Gap for Thick or Thin Paper

When you print on unusually thick or thin paper, you may need to adjust the platen gap setting. **STANDARD** is the default setting. However, if print quality is not satisfactory when using very thin or very thick stock, you may need to change this setting.

1. Press  **Menu**.
2. Press  again to select the Printer Setup menu and highlight **PLATEN GAP**.
3. Press . **STANDARD** is selected as the current setting.
4. Use the  or  button to choose **NARROW**, **WIDE**, **WIDER**, or **WIDEST**.
5. Press **OK** to save the setting. A check mark appears next to the selected setting.
6. Press  to exit the menu.

If you've selected a non-standard platen gap, the following symbols appear in the corner of the display to remind you of the narrow or wide setting:

	Widest
	Wider
	Wide
	Narrow

When you switch media, don't forget to change the setting back to **STANDARD**.

If you're printing on non-Epson media and not using the Epson driver, you may also need to create a paper configuration to optimize your results. See page 81 for more information.

Using the Paper Basket

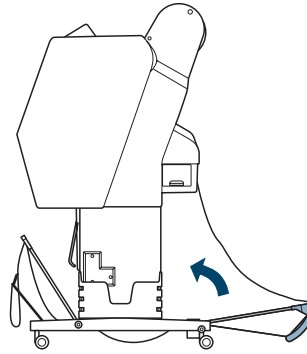
The paper basket attaches to your printer and catches your printouts as they come out. The basket keeps your printouts from getting dirty or scratched. You can set it up either to catch the paper under the printer or in front of the printer.

Catching Printouts in Front of the Printer

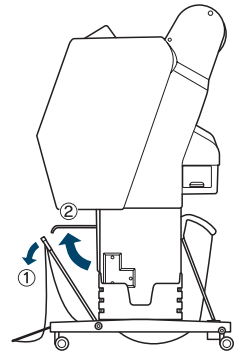
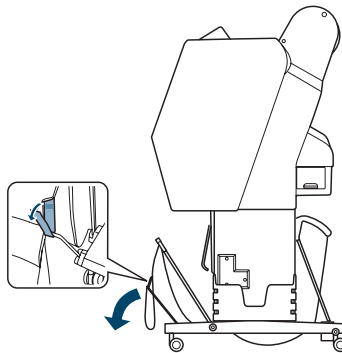
Follow the steps below to set up the basket in front of the printer. Use this method for paper more than 19 mil (0.5 mm) thick or any prints that are 62 inches (157 cm) or longer (for the Pro 9890) or 36 inches (91 cm) or longer (for the Pro 7890).

1. If you are using the paper guides, make sure they are in front of the basket, as shown in the next step.

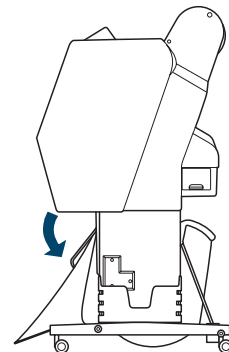
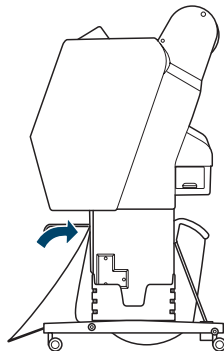
- For the Pro 9890, raise the back of the basket all the way up.



- Open the tabs at the front of the basket and tilt it down. Then raise the paper guides.



- Raise the front of the basket so that the surface is taut. Then lower the paper guides so that your prints slide smoothly onto the cloth.

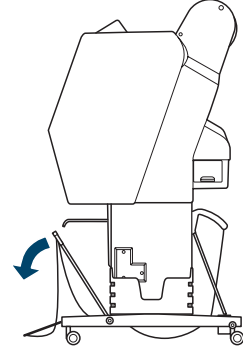
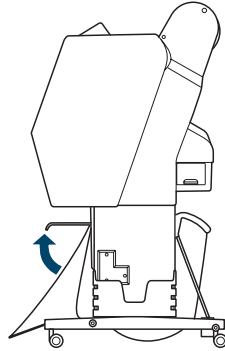


Note: To avoid paper feed errors, do not allow prints to stack up in the paper basket.

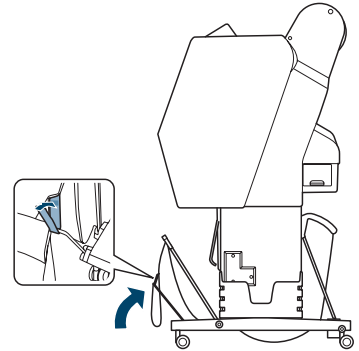
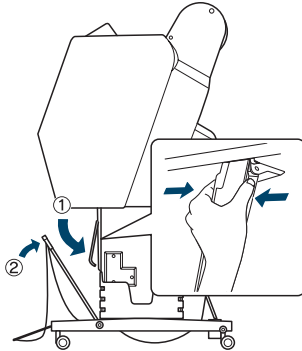
Catching Printouts Under the Printer

Follow these steps to catch printouts under the printer:

1. Raise the paper guides and tilt the front of the basket down.

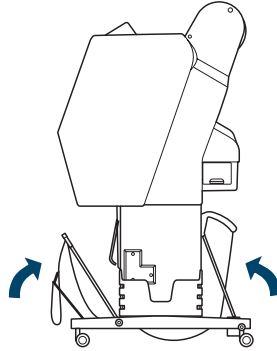


2. Lower the paper guides, then raise the front of the basket all the way up. Fasten the front of the basket with the tabs.



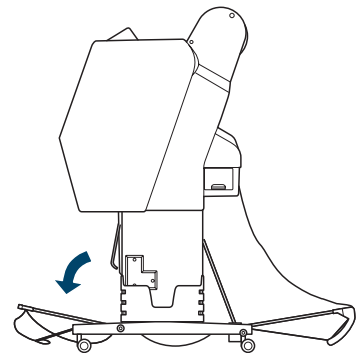
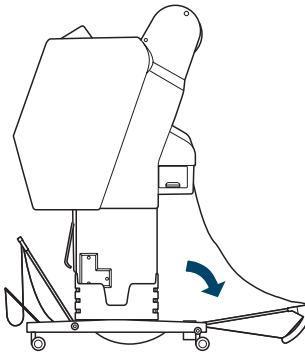
3. For the Pro 9890, adjust the basket based on your print size.

- 23.4 × 33.1 inches (A1) or smaller



Note: If printouts on matte paper have banding, pull the paper guides forward.

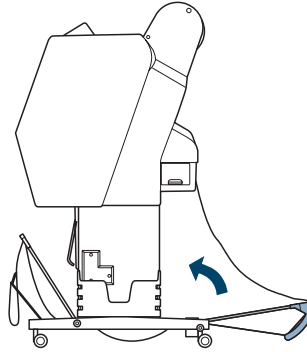
- Larger than 23.4 × 33.1 inches (A1)



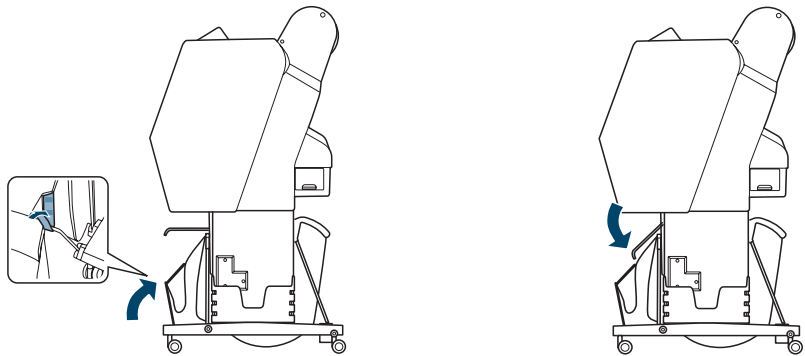
Storing the Paper Basket

If you are not using the paper basket, you can fold it out of the way.

1. For the Pro 9890, raise the back of the basket.



2. Raise the paper guides, then adjust the tabs and raise the front of the basket. Lower the paper guides.



Optimizing the Settings for Your Paper

When you choose a media type in your Epson printer software, the driver automatically determines the best settings for your paper. However, you may want to fine-tune how the printer handles various media—especially if you use non-Epson paper or a paper not supported by the driver. Use the paper configuration settings described below.

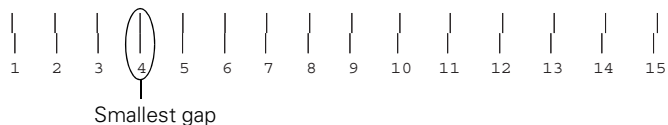
You can create a special configuration, or group of settings, for each paper type (up to ten types) and select the desired configuration whenever you print on a particular stock.

Creating Paper Configurations

Note: Paper configurations are needed only for non-Epson media.

To create a configuration for a specific paper type, make sure the paper you want to configure is loaded in the printer. Then follow these steps:

1. Press **▶** **Menu**, then press **▲** or **▼** to select **PAPER SETUP**.
2. Press **▶**, then press **▼** to select **CUSTOM PAPER**.
3. Press **▶**, then press **▼** or **▲** to select a paper configuration number (1 to 10). Press **▶** to save the number setting.
4. Press **▼** or **▲** to select **PAPER TYPE**, then press **▶**. Press **▼** or **▲** to select a media type, then press **▶**. Press **OK** to save it.
5. Press **◀** twice to go back to the previous menu.
6. Press **▼** or **▲** to select **PLATEN GAP**, then press **▶**. Press the **▼** button to select **NARROW**, **STANDARD**, **WIDE**, or **WIDER**. The **STANDARD** setting is recommended for most paper types. Press **OK** to save the setting, then press **◀** to go back to the previous menu.
7. Press **▼** or **▲** to select **THICKNESS PATTERN**, then press **▶**. Press **OK** to print the paper thickness pattern. A pattern similar to the following is printed:




8. Examine the printed pattern for the most evenly overlapping lines. Choose the number with the most even lines. In the example shown above, the lines under number 4 are the most even.

After printing the pattern, **THICKNESS NUMBER** is highlighted.

9. Press ▲ or ▼ to select the number that you noted in step 8, then press OK.
10. Press ◀, then ▼ to select any of the menu options shown below. Make adjustments as needed, and press OK to save each setting. Then press ◀ to return to the menu.

You can also make similar settings using the printer driver software. For instructions, see page 104 (Mac OS X) or page 126 (Windows).

- **PAPER FEED ADJUST** helps eliminate banding. Choose a lower value if you see white lines on your prints, or a higher value if you see dark lines.
 - **DRYING TIME** lets you print with non-Epson media and avoid smearing the ink. You can make the print head wait up to 10 seconds after each pass to allow ink to dry on the page.
 - **PAPER SUCTION** lets you decrease the paper suction level when printing on thin media (under 12 lb), such as drafting paper or backlight film.
 - **SET ROLL PAPER TENSION** lets you adjust the tension to **HIGH** or **HIGHER** for cloth or thin paper, or if the paper wrinkles during printing.
 - **REMOVE SKEW** helps reduce paper skew for very thin media or film.
11. When done, press **||** • .

After you create paper configurations, you can use the **TEST PRINT** menu to print out a list of paper numbers showing the settings for each one.

Printing Your Paper Configurations

You can print a list showing the settings for all your paper configurations. This makes it easy to select the configuration you want for a particular type of paper.

1. Press **▶** Menu, then press **▼** to highlight TEST PRINT. Press **▶** again.
2. Press **▼** to select CUSTOM PAPER, then press **▶**.
3. Press OK to print your custom paper configurations.

Selecting Paper Configurations

Once you have created a paper configuration, you can select it whenever you print on that paper:

1. Press **▶** Menu, then press **▲** or **▼** to select PAPER SETUP.
2. Press **▶**, then press **▼** to select PAPER TYPE, then press **▶**.
3. Press **▼** to select CUSTOM PAPER, then press **▶**.
4. Press **▲** or **▼** to select the configuration you want to use.
5. Press OK. The configuration number you selected is displayed on the LCD screen with a check mark.
6. Press **|| • ☒** to exit the menu. The configuration you selected is displayed on the LCD screen.

Chapter 3: Printing With Epson Drivers for Mac OS X

Your Epson Stylus Pro 7890 or Pro 9890 comes with drivers and utilities that let you print and manage print jobs. For the best black and white photography output, the Epson driver offers an Advanced Black and White Photo mode.

ICC profiles for ColorSync® are included, so you can use color management features in Adobe® Photoshop® or other applications, or in the driver itself. A color-managed workflow using Photoshop and a color-calibrated monitor will give you the most accurate colors and best output from your printer for color photos. See page 137 for instructions.

You can create your own profiles if you have the required hardware and software, or you can have them created by a color specialist. Make sure any profiles you want to use are located in the standard folder for your operating system. When you install the Epson printer driver, the ready-made profiles are automatically copied to the right folder.

Before you print, make sure you have installed the Epson printer driver and utilities from the CD-ROM. For instructions on installing and configuring the printer driver, see page 49.

If you plan on printing borderless images on roll paper, check the guidelines on page 86 to size your image correctly.

This chapter includes the following information for Mac OS X:

- Choosing page setup settings for cut sheets and roll paper
- Choosing basic print options
- Choosing color management options
- Choosing paper configuration settings
- Choosing roll paper options
- Controlling expansion of borderless images
- Choosing advanced black and white photo settings
- Creating a custom preset and printing
- Managing print jobs

Tip: Check the Epson Pro Imaging website at www.proimaging.epson.com for updated drivers and utilities that may become available.

Sizing Images for Borderless Printing on Roll Paper

For true borderless printing on roll paper, you can select a Paper Size setting with an **Auto Expand** or **Retain Size** option, or create a custom paper size, as described below. Your image may be clipped on the left and right edges, but you can minimize clipping by sizing your image according to the paper width and by adjusting the length by adding 0.1 inch (2.54 mm) to it.

Paper sizes with the **Auto Expand** option provide the best solution for borderless printing with minimal image clipping. Using this setting, you can create an image width almost equal to the width of the roll media. If you use a paper size with the **Retain Size** option, you should create an image slightly wider than the actual width of the roll media. Or you can create a custom paper size and select the **Retain Size** option. See the table below for guidelines:

Note: Make sure you set the margins to zero when printing a custom page size for borderless printing.

Roll paper width	Image width (with Auto Expand)	Image width (with Retain Size)	Custom paper size (with Retain Size)
10 inches (254 mm)	9.7075 inches (246.57 mm)	10.34 inches (262.6 mm)	10.23 inches (259.8 mm)
13 inches (330 mm)	12.8 inches (325.1 mm)	13.34 inches (338.8 mm)	13.23 inches (336.0 mm)
16 inches (406 mm)	15.8 inches (401.3 mm)	16.34 inches (415.0 mm)	16.23 inches (412.2 mm)
17 inches (432 mm)	16.8 inches (426.7 mm)	17.34 inches (440.4 mm)	17.23 inches (437.6 mm)
24 inches (610 mm)	23.8 inches (604.5 mm)	24.34 inches (618.2 mm)	24.23 inches (615.4 mm)
36 inches* (914 mm)	35.8 inches (909.3 mm)	36.34 inches (923.0 mm)	36.23 inches (920.2 mm)
44 inches* (1118 mm)	43.8 inches (1112.5 mm)	44.34 inches (1126.2 mm)	44.23 inches (1123.4 mm)

* Epson Stylus Pro 9890 only

Choosing Page Setup and Basic Print Options

Note: Many application settings override the printer's page setup options. Always verify settings to get the results you expect.

If your application has margin settings, make sure they're turned off for borderless printing.

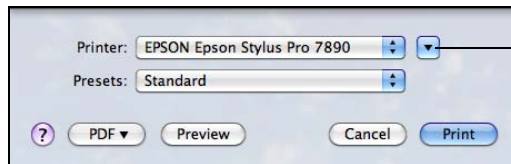
You can choose from several options for printing on cut sheets or roll paper. You can also select the orientation of your image and the paper size. For printing on roll media, creating a custom page size is recommended to make the best use of your paper.

Note the following limitations on borderless printing:

- Borderless printing takes longer than normal printing.
- Margins are required at the top and bottom of the page on cut sheets. Full borderless printing is available on roll paper only.

Once you have selected your page setup options, you need to select printing options. The Epson driver offers automatic settings that optimize print quality and speed when you're using Epson media. You can also choose additional settings for more control over your printer and color output.

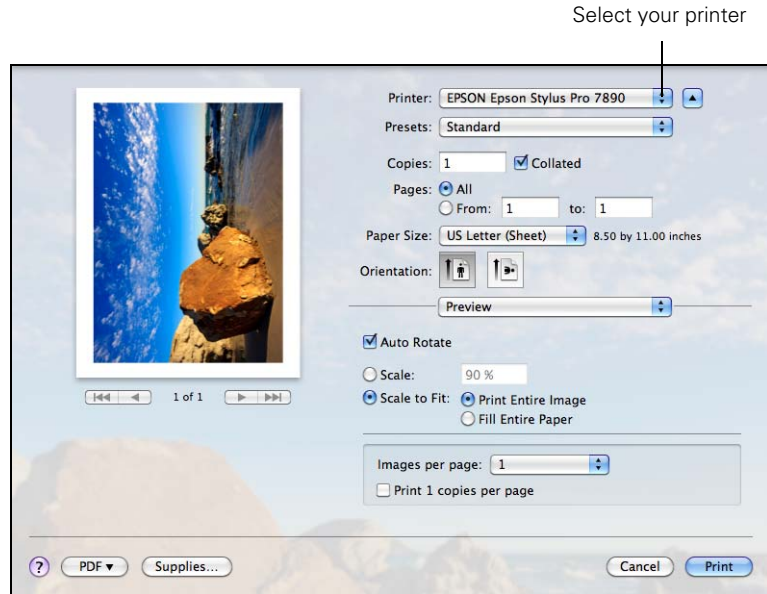
1. Open the file you want to print and select **Print** in your application.
2. Click the arrow to expand the Print window, if necessary.



Click to expand the Print window

Note: If you need more information about print options, click the ? button.

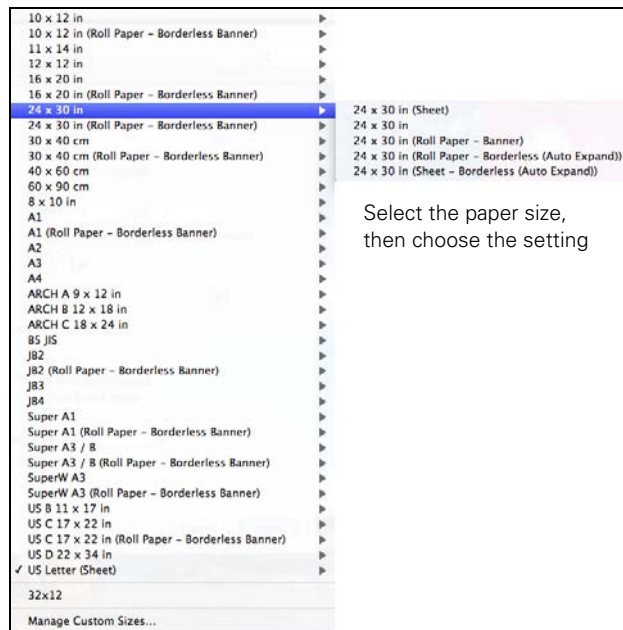
3. Choose your printer from the **Printer** menu.



Note: If you don't see the Paper Size setting in the Print window, check for it in your application before printing. For example, you may be able to select it by opening the **File** menu and selecting **Page Setup**.

4. Click the **Paper Size** drop-down menu.
 - If you're printing on a cut sheet, choose the size of the paper you are using and one of the options listed below. Then continue with step 6.
 - If you're using roll paper, Epson recommends that you create a custom paper size to make the best use of your paper. See step 5 for instructions.

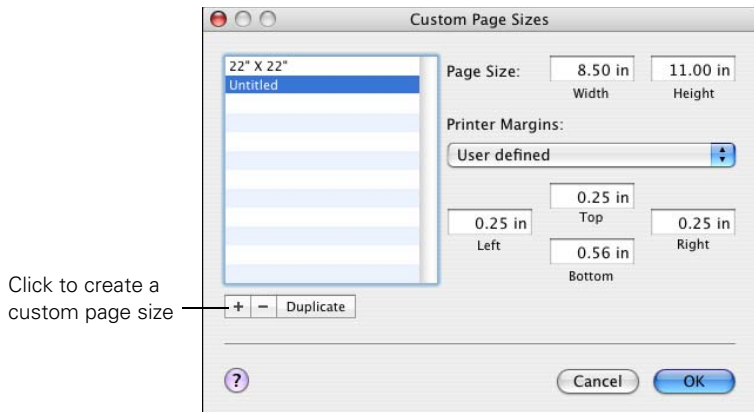
Also be sure to select roll paper options, as described on page 96.



The following settings are available, depending on the size you choose:

- The **Sheet** size setting prints on cut sheet paper with a bottom margin larger than the top and sides.
- **Sheet - Borderless (Auto Expand)** prints on cut sheets and enlarges your image (up to 3%) to fit the width of the paper (without side borders).
- **Sheet - Borderless (Retain Size)** prints your image at the size you specify in your application. You need to size it slightly wider than the paper width to print without side borders.
- **Roll Paper - Borderless (Auto Expand)** prints without borders on roll paper and enlarges your image (up to 3%) to fit the size of the paper. This selection is recommended for borderless printing with minimal clipping of your image. See page 86 for more information.
- **Roll Paper - Borderless (Retain Size)** prints your image on roll paper at the size you specify in your application. You need to size it slightly wider than the paper width to print without borders. See page 86 for more information.

- Roll Paper - Banner prints a series of continuous images without any margin space between them, but with normal side borders.
 - Roll Paper - Borderless Banner prints a series of continuous borderless images without space between them.
5. If you are printing on roll paper, choose **Manage Custom Sizes** from the **Paper Size** menu.
- (If you are printing on a cut sheet, skip to step 6.)



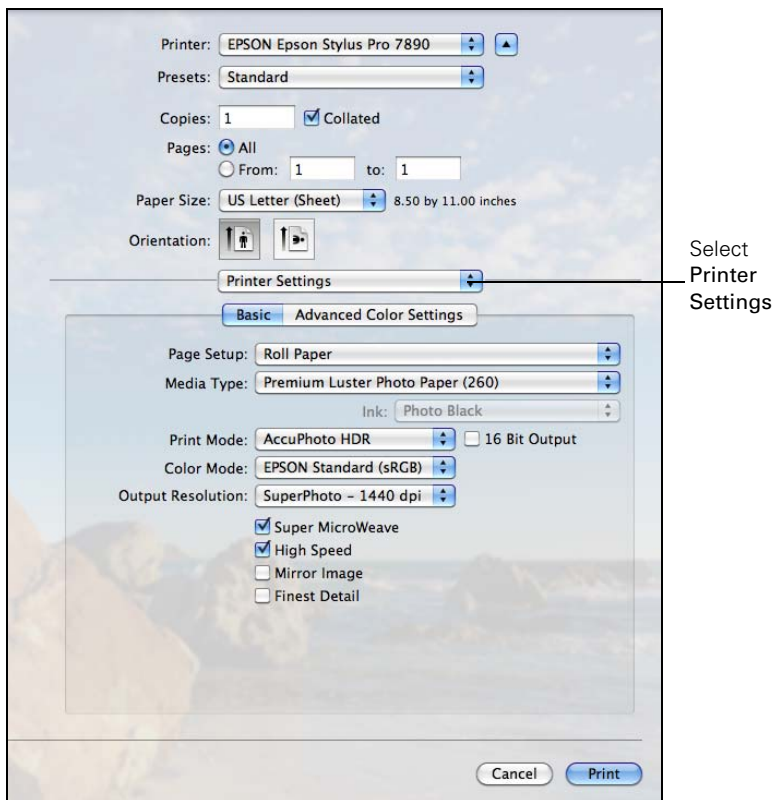
Note: If you don't see the Orientation or Scale settings in the Print window, check for them in your application before printing. For example, you may be able to select them by opening the **File** menu and selecting **Page Setup**.

Click the + (plus sign), double-click **Untitled** and give your paper size a name, then define its size and margins and click **OK**.

Select your new page size from the **Paper Size** drop-down menu.

6. Choose the appropriate **Orientation** and **Scale** for printing.

7. Select **Printer Settings** from the drop-down menu. You see this screen:

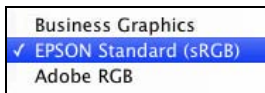


8. If you created a custom paper size for your roll paper, select the **Auto Expand** or **Retain Size** option in the **Paper Size** drop-down menu. See page 86 for details.
9. Select the **Media Type** that corresponds to the paper you are printing on. See the table on page 104 for more information.
10. For the **Print Mode** setting, select one of the following:
 - **AccuPhoto™ HDR** for any type of photographic printing. If you are printing 16-bit color images, select **16 Bit Output** for the most accurate transitions and gradations.
 - **Advanced B&W Photo** if you are printing black and white photos using this unique printer technology on select paper types. See page 104 for more information. (For paper types that don't support this option, print black and white photos with the **COLOR** setting.)

- **Black** only if you're printing line drawings or other non-photographic images.

11. Set the **Color Mode** option as follows:

- Select **(Off) No Color Adjustment** to disable color management in the printer driver. Choose this mode when you use a color-managed ICC workflow in Photoshop or another software application. See page 137 for instructions.
- Select **Color Controls**, then choose one of the mode settings shown at the left in the drop-down menu:



Business Graphics intensifies colors and lightens the midtones and highlights of an image. Use this setting for presentation graphics.

EPSON Standard (sRGB) increases the contrast in images. Use this setting for color photographs.

Adobe RGB matches image colors to the Adobe RGB color standard. Use this setting if your source file was captured in Adobe RGB.

12. Choose one of the following **Print Quality** settings:

- **Draft - 180 dpi**
- **Draft - 360 dpi**
- **Fine - 720 dpi**
- **Fine - 1440 dpi**
- **SuperPhoto - 1440 dpi**
- **SuperPhoto - 2880 dpi**

13. Choose any of the following advanced options:

- **Super MicroWeave®** for maximum elimination of banding (may not be available for certain media types).
- **High Speed** for fast, bidirectional printing. For higher quality, make sure you deselect this option.
- **Mirror Image** for printing a mirror image of your file.

Note: The Print Quality settings available depend on the Media Type you selected. Choose a lower print quality setting for faster printing or **SuperPhoto - 2880 dpi** for the best quality.

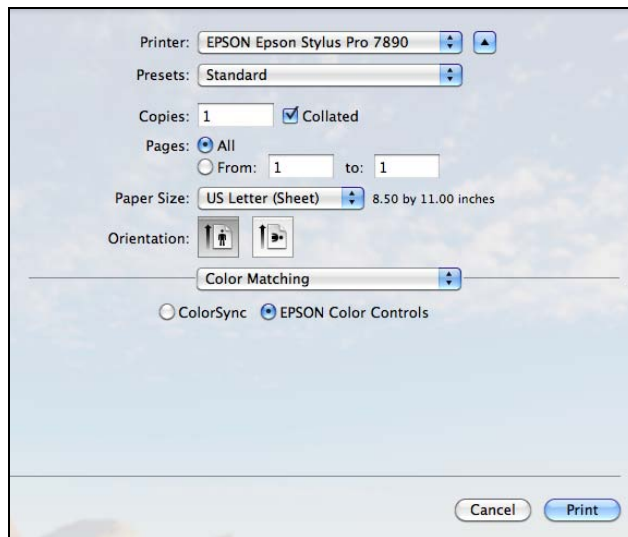
- **Finest Detail** for sharper edges on vector-based data including text, graphics, and line art. (This setting does not affect photographs and is not recommended for large files.)

Continue with the instructions in the next section to select color management settings. If you are using the color management settings in Photoshop or another application, it is very important to turn off color management in the printer driver.

Choosing Color Management Options

Follow these instructions to use color management in the printer driver.

1. Select **Color Matching** from the drop-down menu. You see this screen:



2. Select one of the following settings:
 - **EPSON Color Controls** to use a Color Mode (see page 92) that selects the main method of printing colors for photos and graphics.
 - **ColorSync** for mapping colors to your printer's profile (for ColorSync-compatible applications only). Leave the Profile setting set to **Automatic**. This allows the printer software to select the

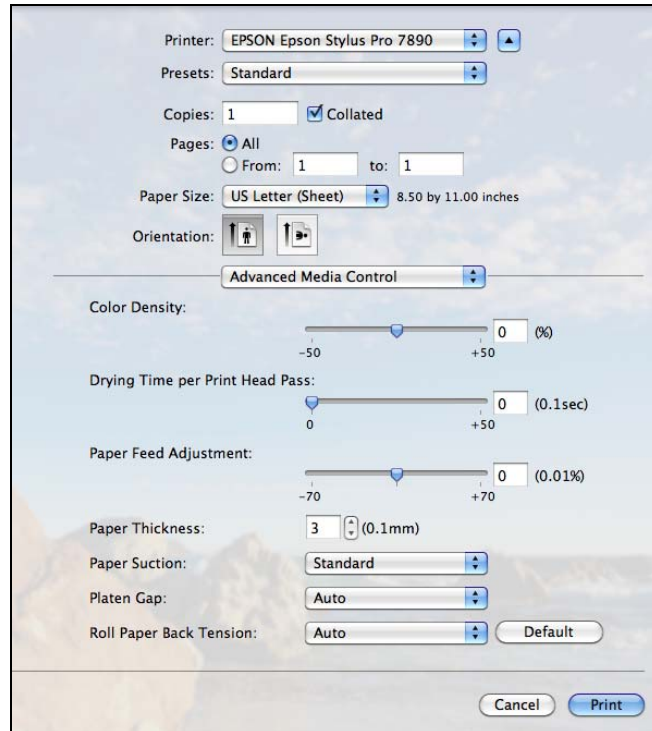
profile that matches the Media Type setting you selected. In most cases, you will get better results by applying color management in your application, rather than in the printer driver.

Choosing Advanced Media Control Options

Follow these instructions if you are using non-Epson media and you need to fine-tune its performance.

Note: You may need to change the Color Density setting if your custom color profile was created to optimize D-max and color gamut.

1. Select **Advanced Media Control** from the drop-down menu. You see this screen:



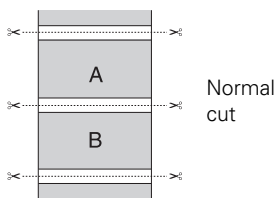
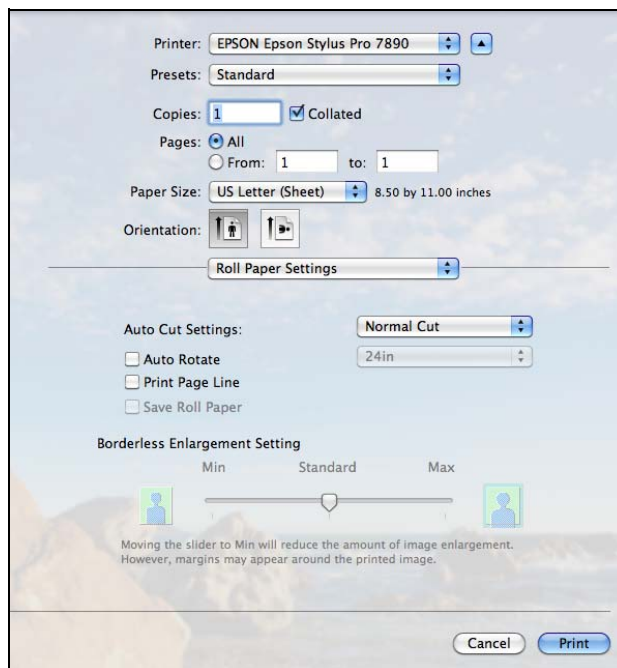
2. Select the correct settings to match your ICC profile. These settings override any paper configuration settings you may have made using the printer's control panel.
 - Color Density lets you control the ink saturation level.

- **Drying Time per Print Head Pass** lets you print with non-Epson media and avoid smearing the ink. You can make the print head wait up to 5 seconds after each pass to allow ink to dry on the page.
- **Paper Feed Adjustment** helps reduce banding. Choose a lower value if you see white lines on your prints, or a higher value if you see dark lines.
- **Paper Thickness** helps reduce vertical banding and creates a sharper image when printing on unusually thick or thin paper.
- **Paper Suction** lets you decrease the paper suction level when printing on thinner papers (less than 12 lb), such as CAD drafting paper.
- **Platen Gap** lets you fine-tune the setting for various paper thicknesses.
- **Roll Paper Back Tension** lets you adjust the tension when printing on roll paper. Change the value if you find wrinkles on your printouts when **Auto** is selected.

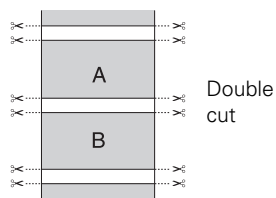
Choosing Roll Paper Options

If you are printing on roll paper, make sure you choose one of the roll paper options as the **Paper Size** setting, as described on page 88. In addition, you need to check these settings for various cutting and feeding options.

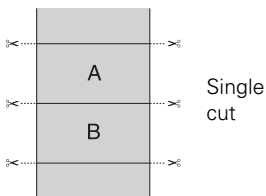
1. Select **Roll Paper Settings** from the drop-down menu. You see this screen:



Normal cut



Double cut




Single cut

Note: These settings override settings made through the control panel.

2. Choose one of the following **Auto Cut Settings**:

- **Normal Cut** allows margin space at the top and bottom of each image.
- **Double Cut** extends the space between the images and trims each print individually. This provides the cleanest edge for borderless printing.
- **Single Cut** allows images to be printed end-to-end and saves paper. With borderless printing, you may see a sliver of the previous or next image if you print multiple images in one print job. You will see a white margin between print jobs.

- **Off** disables automatic cutting. Choose this setting if you want to operate the cutter manually, use the optional Auto Take-Up Reel, or print multiple print jobs without cutting.

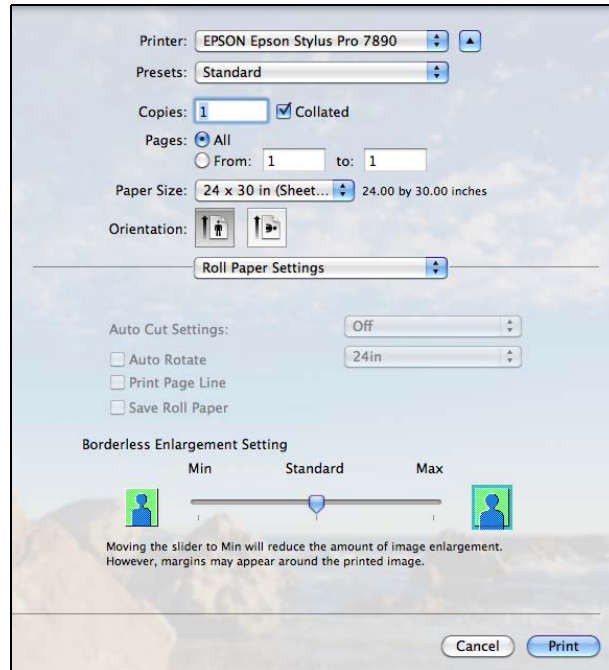
See page 68 for instructions on using the  button to operate the cutter.

3. Select the following options, if desired:

- **Auto Rotate** saves paper if your document length is shorter than the printable width of the roll. The document is automatically rotated 90 degrees and printed crosswise. When this option is checked, be sure to select the width of your roll paper from the drop-down menu.
- **Print Page Line** prints trim lines on the right and bottom edges of your pages.
- **Save Roll Paper** saves paper by not feeding the blank portion of the last page of your document (available only when you've selected a Paper Size setting with the **Roll Paper - Banner** option).

Controlling Borderless Image Expansion

To control the amount of expansion when printing using a Paper Size with the Auto Expand option, select Roll Paper Settings from the drop-down menu. You see this screen:



Adjust the slider to increase or decrease the amount of expansion.

The widths shown in the table on page 86 work with the **Standard** Expansion setting.

- Use the **Min** setting to minimize the amount of image clipping. You may see a white border around your image.
- Use the **Max** setting to maximize the image width. This will increase the amount of image clipping.

Choosing Advanced Black and White Photo Settings

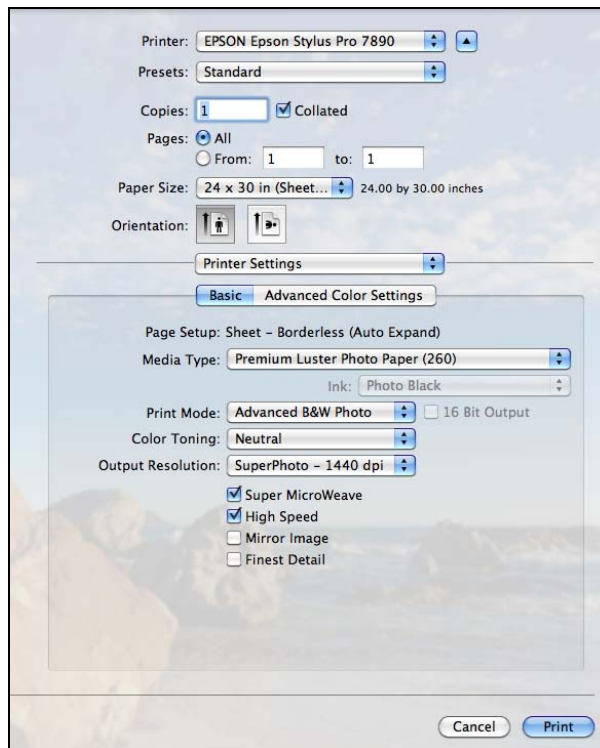
Note: If you are printing from Photoshop, make sure you do not use Photoshop's color management settings when using Advanced Black and White Photo mode. There are no profiles associated with this screening and color management technology.

Note: If Advanced Black and White Photo is not available for your media type, you may need to change your black ink mode. See page 157 for more information.

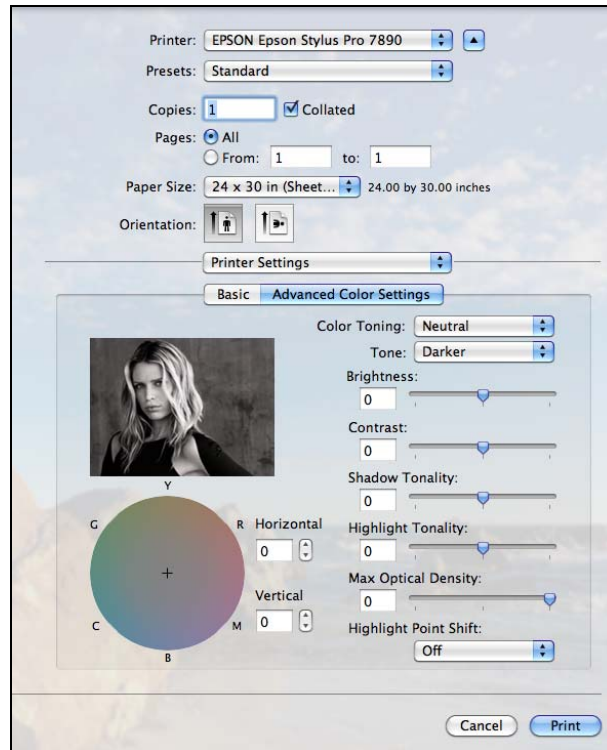
Advanced Black and White Photo mode allows you to easily produce neutral and toned black-and-white prints using your Epson driver. This mode offers an alternative black and white workflow with settings for more advanced control.

Whether your photo is color or grayscale, you can use this unique screening and color management technology to create stunning black-and-white prints. This mode is only available when printing on certain media types.

1. Select **Printer Settings** from the drop-down menu.
2. Choose the Media Type setting for the paper you have loaded in the printer. (See page 104 for instructions.)
3. Choose **Advanced B&W Photo** as the Print Mode setting.



4. Uncheck **High Speed** for the best quality.
5. Click **Advanced Color Settings**. You see this screen:



6. Choose the settings that are best for your photo.
 - **Color Toning** allows you to add tone (hue) to your black and white output. The default is **Neutral**, which will provide you with a neutral tonal scale print. You can also choose other popular presets such as **Cool**, **Warm**, and **Sepia**. Note that the presets affect the target found in the tone color circle.
 - **Tone** allows you to easily change the entire tonal scale of your black and white output. While **Darker** is the default setting, you may see better results if you choose **Dark**.
 - **Brightness** adjusts the overall lightness and darkness of your image.
 - **Contrast** adjusts the difference between the light and dark areas of your image.

- **Shadow Tonality** and **Highlight Tonality** allow you to control tonality only in the shadow or highlight areas of your image.
- **Max Optical Density** adjusts the overall density or focus of the print. Create a soft focus print by setting the density lower.
- **Highlight Point Shift** helps to reduce gloss differential by adding density to the highlights of your image.
- The tone color circle adjusts the hue of your black and white print. Click on any portion of the color wheel or enter corresponding values to customize the tone (hue) added to your print. The closer you select to the edge of the wheel, the more color you add.

The preview image approximates the image tone based on your settings. Note that this preview always shows the same image and is not color managed. It provides a level of feedback as you make changes.

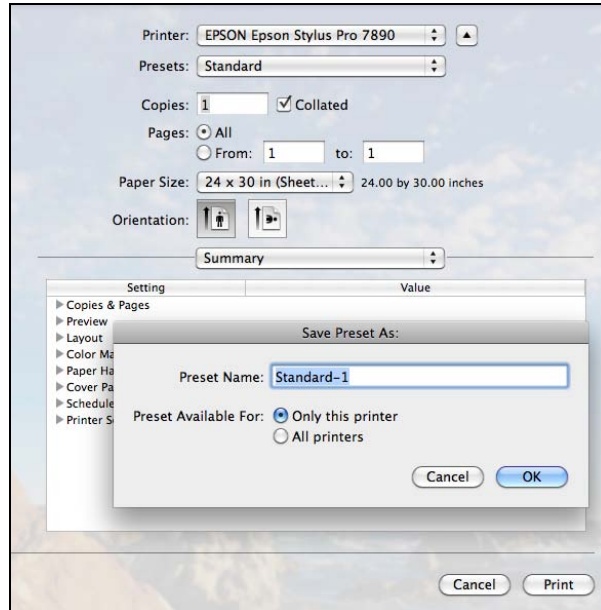
Creating a Custom Preset and Printing

Once you've made the correct settings for your print job, create a custom preset. This will save you time when you use the same profile/printer/ink/media combination for future print jobs.

1. Select **Summary** from the drop-down menu.

Note: If you check the settings on each screen in the drop-down menu, go through them carefully from top to bottom. Avoid cycling through them repeatedly, or you may lose your settings.

2. After verifying that your settings are correct, select **Save As** from the **Presets** drop-down menu.



Caution: Do not open and close the Presets menu without typing a name, or you will lose your settings.

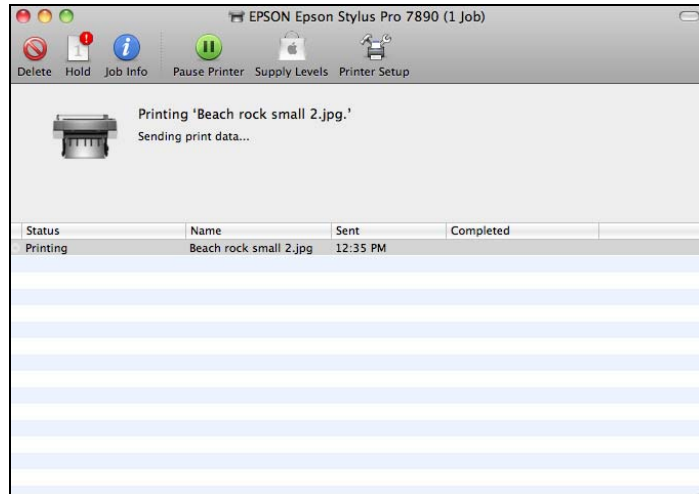
3. Type a name for your custom preset and click **OK**.
4. When you're ready to print, click the **Print** button.


Whenever you want to print with your custom preset, select it from the **Presets** drop-down menu.

Managing Print Jobs

After you click **Print**, you can monitor the progress of your print job. Follow these steps:

1. Click the icon for your printer on the Dock. If necessary, double-click your printer (and print queue) name. You see a screen like this:



Note: If it is no longer spooling in the computer, you can also cancel a print job by pressing the  button on the printer, selecting **JOB CANCEL**, and pressing the **OK** button.

2. From here you can monitor the progress of your print job or do one of the following:
 - Click the print job, then click **Delete** to cancel the job
 - Click the print job, then click **Hold** to pause printing
 - Click a print job marked “Hold” and click **Resume** to resume printing
3. When you’re finished, close the print job window, then close your printer window.

Selecting the Correct Media Type Setting

The following table lists the settings designed to produce the best results on Epson media.

If your paper is not listed, check the instructions included with the paper, or look on the Epson website www.proimaging.epson.com (U.S. sales), www.epson.ca (Canadian sales). If you are using non-Epson paper, consult the manufacturer for the best setting. You may have to experiment with different settings to determine which one is best for the media you're using.

For this media	Select this Media Type setting
Photo Paper	
Carolina Cover 10pt	Carolina Cover 10pt
Tango Advantage 10pt	Tango Advantage 10pt
Tango Blanks 18pt	Tango Blanks 18pt
Exhibition Fiber Paper	Exhibition Fiber Paper
Premium Luster Photo Paper (260)	Premium Luster Photo Paper (260)
Premium Glossy Photo Paper (250)	Premium Glossy Photo Paper (250)
Premium Semigloss Photo Paper (250)	Premium Semigloss Photo Paper (250)
Premium Semimatte Photo Paper (260)	Premium Semimatte Photo Paper (260)
Premium Glossy Photo Paper (170)	Premium Glossy Photo Paper (170)
Premium Semigloss Photo Paper (170)	Premium Semigloss Photo Paper (170)
Premium Photo Paper Glossy	Premium Photo Paper Glossy
Premium Photo Paper Semigloss	Premium Photo Paper Semi-Gloss
Premium Photo Paper Luster	Premium Photo Paper Luster
Photo Paper Gloss (250)	Photo Paper Gloss (250)
Proofing Paper	
Standard Proofing Paper (205)	Standard Proofing Paper (205)
Standard Proofing Paper (240)	Standard Proofing Paper (240)
Standard Proofing Paper SWOP 3	Standard Proofing Paper SWOP 3
Standard Proofing Paper Adhesive	Standard Proofing Paper Adh

For this media	Select this Media Type setting
Standard Proofing Paper Production	Standard Proofing Paper Production
Proofing Paper White Semimatte	Proofing Paper White Semimatte
Proofing Paper Publication	Proofing Paper Publication
Proofing Paper Commercial	Proofing Paper Commercial
Fine Art Paper	
Cold Press Bright	Cold Press Bright
Cold Press Natural	Cold Press Natural
Hot Press Bright	Hot Press Bright
Hot Press Natural	Hot Press Natural
Premium Canvas Satin	Premium Canvas Satin
Premium Canvas Matte	Premium Canvas Matte
Exhibition Canvas Matte	Exhibition Canvas Matte
Exhibition Canvas Satin	Exhibition Canvas Satin
Exhibition Canvas Gloss	Exhibition Canvas Gloss
Exhibition Canvas Natural Matte	Exhibition Canvas Natural Matte
Exhibition Canvas Natural Satin	Exhibition Canvas Natural Satin
Exhibition Canvas Natural Gloss	Exhibition Canvas Natural Gloss
Velvet Fine Art Paper	Velvet Fine Art Paper
Watercolor Paper Radiant White Exhibition Watercolor Paper Textured	Watercolor Radiant White
Textured Fine Art Paper	Textured Fine Art Paper
UltraSmooth Fine Art Paper	UltraSmooth Fine Art Paper
Canvas	Canvas
Somerset Velvet	Somerset Velvet
Matte Paper	
Doubleweight Matte Paper	Doubleweight Matte Paper
Singleweight Matte Paper	Singleweight Matte Paper
Presentation Paper Matte	Presentation Paper Matte
Enhanced Matte Paper	Enhanced Matte Paper
Ultra Premium Presentation Paper Matte	Ultra Premium Presentation Matte

For this media	Select this Media Type setting
Plain Paper	
Plain paper	Plain Paper
Others	
DisplayTrans Backlight Media DisplayTrans Backlight Film Plus	DisplayTrans Backlight Media
Clear Film	Clear Film
Enhanced Adhesive Synthetic Paper	Enhanced Adhesive Synthetic Paper
Enhanced Matte Posterboard	Enhanced Matte Poster Board
Enhanced Synthetic Paper	Enhanced Synthetic Paper

Chapter 4: Printing With Epson Drivers for Windows

Tip: Check the Epson Pro Imaging website at www.proimaging.epson.com for updated drivers and utilities that may become available.

Your Epson Stylus Pro 7890 or Pro 9890 comes with drivers and utilities that let you print and manage print jobs. For the best black and white photography output, the Epson printer driver offers Advanced Black and White Photo mode.

ICC profiles are included, so you can use the color management features in Adobe Photoshop or other applications, or in the driver itself. A color-managed workflow using Photoshop and a color-calibrated monitor will give you the most accurate colors and best output from your printer for color photos. See page 141 for instructions.

You can create your own profiles if you have the required hardware and software, or you can have them created by a color specialist. Make sure any profiles you want to use are located in the standard folder for your operating system. When you install the Epson printer driver, the ready-made profiles are automatically copied to the right folder.

Before you print, you need to set basic printing properties. Make sure you have installed the Epson driver and utilities from the CD-ROM. See page 50 for instructions.

If you plan on printing borderless images on roll paper, check the guidelines on page 108 to size your image correctly.

This chapter includes the following information:

- Sizing images for borderless printing on roll paper
- Choosing basic print options
- Choosing color management options
- Choosing roll paper settings
- Choosing cut sheet paper settings
- Choosing page layout options
- Choosing advanced black and white photo settings
- Choosing paper configuration options
- Saving, exporting, and importing groups of settings
- Managing print jobs

Sizing Images for Borderless Printing on Roll Paper

For true borderless printing on roll paper, you can select either **Auto Expand** or **Retain Size** or create a custom paper size, as described on page 116. Your image may be clipped on the left and right edges, but you can minimize clipping by sizing your image according to the roll paper width and by adjusting the length by adding 0.1 inch (2.54 mm) to it.

Auto Expand provides the best solution for borderless printing with minimal image clipping because you can create an image width almost equal to the width of the roll media. If you use **Retain Size**, you need to size your image slightly wider than the paper width. See the table below for guidelines:

Roll paper width	Image width (with Auto Expand)	Image width (with Retain Size)
10 inches (254 mm)	9.7075 inches (246.57 mm)	10.25 inches (260.35 mm)
13 inches (330 mm)	12.8 inches (325.1 mm)	13.25 inches (338.8 mm)
16 inches (406 mm)	15.8 inches (401.3 mm)	16.25 inches (412.75 mm)
17 inches (432 mm)	16.8 inches (426.7 mm)	17.25 inches (438.15 mm)
24 inches (610 mm)	23.8 inches (604.5 mm)	24.25 inches (615.9 mm)
36 inches* (914 mm)	35.8 inches (909.3 mm)	36.25 inches (920.7 mm)
44 inches* (1118 mm)	43.8 inches (1112.5 mm)	44.25 inches (1124.0 mm)

* Epson Stylus Pro 9890 only

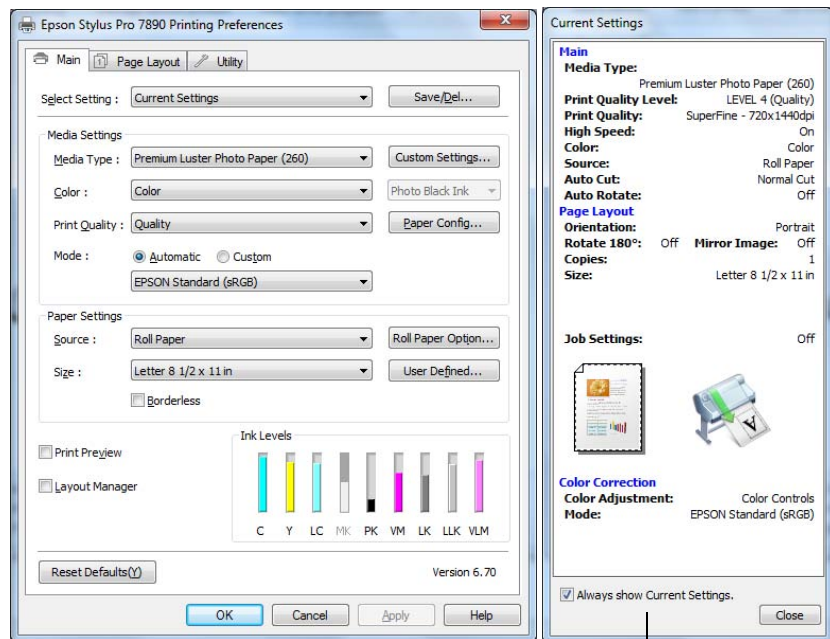
Choosing Basic Print Options

The driver offers automatic settings that optimize print quality and speed when you're using Epson media. You can also choose custom settings for more control over your printer and color management options.

Follow these steps to make basic settings:

1. Start an application, open the file you want to print, and select **Print** in your application. You see the Print window.
2. Make sure your printer is selected, then click the **Properties** or **Preferences** button. (If you see a **Setup**, **Printer**, or **Options** button, click it instead. Then click **Properties** or **Preferences**.)

You see a window like the following:



Note: If you need more information about print options, you can click the **Help** button on any screen.

This box shows you the current settings, but you can't change them from here

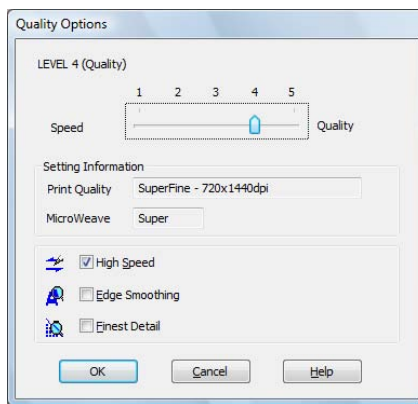
3. Select a **Media Type** setting that corresponds to the paper you are printing on. See the table on page 111 for more information.
 - If you are using a color-managed workflow, make sure you choose media type and resolution settings that match the ICC profile you are using.
 - If you have saved custom media type configurations or set up custom paper configurations, you can select them by clicking the **Custom Settings** button. See page 125 for more information about custom paper configurations.
 - If the media type has been set on the printer's control panel, select **Auto Acquire**.

Note: If a color setting is grayed out, it is not supported for the selected Media Type.

4. For the **Color** setting, select one of the following:
 - **Color** for any type of photographic printing.
 - **Advanced B&W Photo** for printing black and white photos on certain paper types. See page 123 for more information. (For paper types that don't support this option, print black and white photos using the **Color** setting.)
 - **Black only** if you're printing line drawings or other non-photographic images.

Note: The Print Quality settings depend on the Media Type you selected. Choose lower print quality for faster printing, or **SuperPhoto - 2880dpi** for best quality.

5. For the **Print Quality** setting, choose **Speed**, **Quality** or **Max Quality**. Or choose **Quality Options** to display a window like the following:



Use the Speed/Quality slider to set the desired quality level. Select from the following additional options and click **OK**:

- **High Speed** for fast, bidirectional printing at lower quality.
- **Edge Smoothing** to improve the quality of low-resolution images.
- **Finest Detail** for sharper edges on vector-based data including text, graphics, and line art. (This setting does not affect photographs and is not recommended for large files.)

6. Set the **Mode** option as follows:

- Click **Automatic** to have the printer driver analyze the contents of your image or file and make the appropriate printing adjustments.

You can choose one of these settings in the drop-down menu:

Charts and Graphs intensifies colors and lightens the midtones and highlights of an image. Use this setting for presentation graphics.

EPSON Standard (sRGB) increases the contrast in images. Use this setting for color photographs.

Adobe RGB matches image colors to the Adobe RGB color standard. Use this setting if your source file was captured in Adobe RGB.

- Click **Custom**, then follow the instructions on page 114 to select color management options.

Selecting the Correct Media Type Setting

The table on the next page lists the settings designed to produce the best results on Epson media.

If your paper is not listed, check the instructions included with the paper, or look on the Epson website www.proimaging.epson.com (U.S. sales), www.epson.ca (Canadian sales). If you are using non-Epson paper, consult the manufacturer for the best setting. You may have to experiment with different settings to determine which one is best for the media you're using.

For this media	Select this Media Type setting
Photo Paper	
Carolina Cover 10pt	Carolina Cover 10pt
Tango Advantage 10pt	Tango Advantage 10pt
Tango Blanks 18pt	Tango Blanks 18pt
Exhibition Fiber Paper	Exhibition Fiber Paper
Premium Luster Photo Paper (260)	Premium Luster Photo Paper (260)
Premium Glossy Photo Paper (250)	Premium Glossy Photo Paper (250)
Premium Semigloss Photo Paper (250)	Premium Semigloss Photo Paper (250)
Premium Semimatte Photo Paper (260)	Premium Semimatte Photo Paper (260)
Premium Glossy Photo Paper (170)	Premium Glossy Photo Paper (170)
Premium Semigloss Photo Paper (170)	Premium Semigloss Photo Paper (170)
Premium Photo Paper Glossy	Premium Photo Paper Glossy
Premium Photo Paper Semigloss	Premium Photo Paper Semi-Gloss
Premium Photo Paper Luster	Premium Photo Paper Luster
Photo Paper Gloss (250)	Photo Paper Gloss (250)
Proofing Paper	
Standard Proofing Paper (205)	Standard Proofing Paper (205)
Standard Proofing Paper (240)	Standard Proofing Paper (240)
Standard Proofing Paper SWOP 3	Standard Proofing Paper SWOP 3
Standard Proofing Paper Adhesive	Standard Proofing Paper Adh
Standard Proofing Paper Production	Standard Proofing Paper Production
Proofing Paper White Semimatte	Proofing Paper White Semimatte
Proofing Paper Publication	Proofing Paper Publication
Proofing Paper Commercial	Proofing Paper Commercial
Fine Art Paper	
Cold Press Bright	Cold Press Bright
Cold Press Natural	Cold Press Natural
Hot Press Bright	Hot Press Bright

For this media	Select this Media Type setting
Hot Press Natural	Hot Press Natural
Premium Canvas Satin	Premium Canvas Satin
Premium Canvas Matte	Premium Canvas Matte
Exhibition Canvas Matte	Exhibition Canvas Matte
Exhibition Canvas Satin	Exhibition Canvas Satin
Exhibition Canvas Gloss	Exhibition Canvas Gloss
Exhibition Canvas Natural Matte Exhibition Canvas Natural Satin Exhibition Canvas Natural Gloss	Premium Luster Photo Paper (260)
Velvet Fine Art Paper	Velvet Fine Art Paper
Watercolor Paper Radiant White Exhibition Watercolor Paper Textured	Watercolor Radiant White
Textured Fine Art Paper	Textured Fine Art Paper
UltraSmooth Fine Art Paper	UltraSmooth Fine Art Paper
Canvas	Canvas
Somerset Velvet	Somerset Velvet
Matte Paper	
Doubleweight Matte Paper	Doubleweight Matte Paper
Singleweight Matte Paper	Singleweight Matte Paper
Presentation Paper Matte	Presentation Paper Matte
Enhanced Matte Paper	Enhanced Matte Paper
Ultra Premium Presentation Paper Matte	Ultra Premium Presentation Matte
Plain Paper	
Plain paper	Plain Paper
Others	
DisplayTrans Backlight Media	DisplayTrans Backlight Media
DisplayTrans Backlight Film Plus	Enhanced Matte Paper
Clear Film	Clear Film
Enhanced Adhesive Synthetic Paper	Enhanced Adhesive Synthetic Paper
Enhanced Matte Posterboard	Enhanced Matte Poster Board
Enhanced Synthetic Paper	Enhanced Synthetic Paper

Choosing Color Management Options

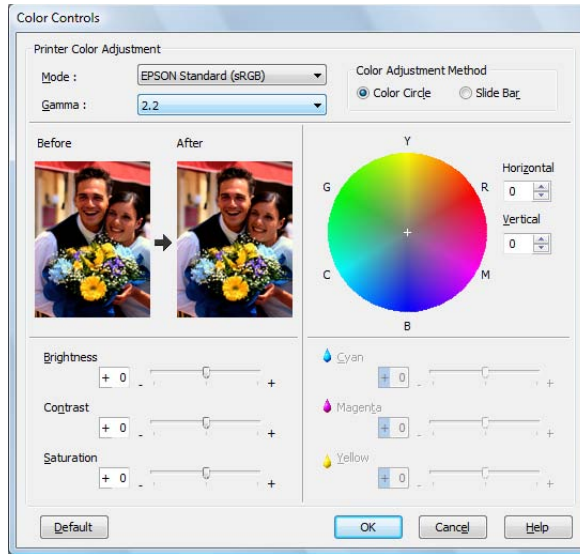
The printer driver offers several methods for managing the color in your prints, including turning the driver's color management settings off.

If you are using color management settings in Photoshop or another application, it is very important to access the advanced settings and turn off color management in the printer driver, as described here. (For instructions on using Photoshop to manage color, see page 141.)

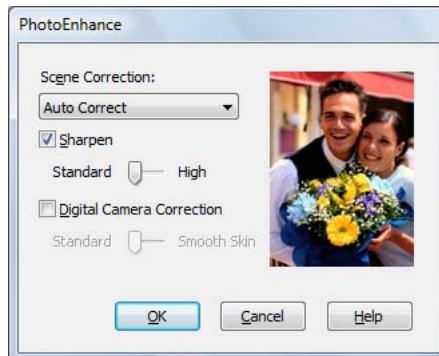
1. In the Properties or Preferences window, make sure the **Main** tab is selected.
2. For the Mode setting, select **Custom**.
3. Choose one of the following settings (if you select **Color Controls**, **PhotoEnhance™**, or **ICM**, click the **Advanced** button after you select the setting):
 - **Off (No Color Adjustment)** disables color management in the printer driver. Choose this mode when you use a color managed workflow in Photoshop or other software. See page 141 for instructions.

Tip: If you turn off color management, you can still control the ink density, as described on page 126.

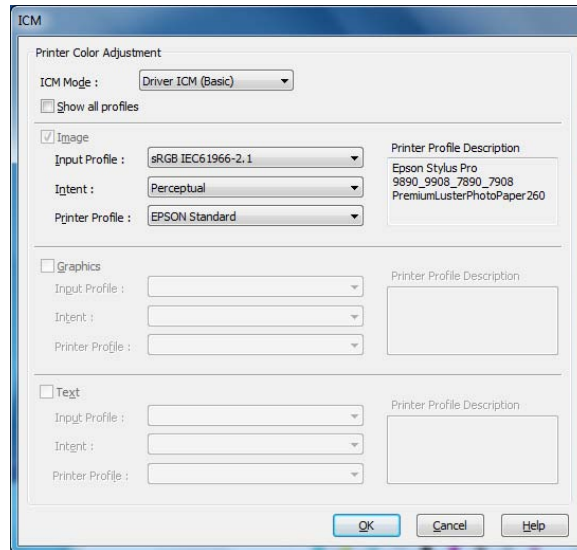
- **Color Controls** lets you specify individual values for adjusting brightness, contrast, saturation, and CMY inks, or choose from three Printer Color Adjustment modes. You can also choose from two Gamma settings, and use either a color circle or slide bar to adjust color.



- **PhotoEnhance** allows you to automatically correct images and choose from six Scene Correction settings.



- ICM adjusts colors based on the printer's ICC profile, using the Image Color Matching system. You can choose the input profile and other settings as shown below.



In most cases, you will get better results by applying color management in your application, rather than in the printer driver. See page 141 for instructions.

4. Click OK to save your settings.

Choosing Roll Paper Options

Note: Many application settings override settings in the printer driver. Always verify settings to get the results you expect.

Follow the steps in this section to print on roll paper and select settings for borderless printing and automatic cutting. (If you're printing on cut sheets, see page 119).

1. On the Properties or Preferences window, make sure the **Main** tab is selected.
2. For the Source setting, select **Roll Paper** or **Roll Paper (Banner)**.

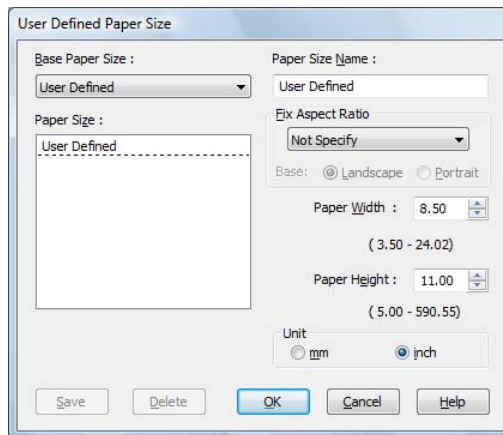
The **Roll Paper (Banner)** setting allows you to print a series of continuous images without any space between them. This option is not available with all applications, and is mostly for tiling an image.

Tip: Creating a user-defined paper size generally lets you make the best use of your roll paper.

Save Roll Paper saves paper by not feeding the blank portion of the last page of your document. Available only if you've selected **Roll Paper (Banner)** as the Source setting.

3. For the **Size** setting, select the size of your image or output paper.

To make the best use of your roll paper, creating a custom paper size is recommended. Select **User Defined**. You see this window:

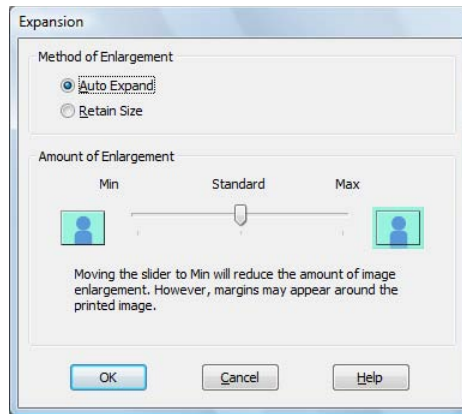


Type a name for your custom size, then enter the size in hundredths of an inch (or centimeters) and click **Save**. Then click **OK**.

4. If you want to reduce or enlarge your image, click the **Page Layout** tab. See page 122 for more information.
5. If you want to print without margins, click **Borderless**. If you're not printing borderless images, go to step 7.

Note that borderless printing takes longer than normal printing. See page 108 for more information about borderless printing on roll paper.

- Click the **Expansion** button to select a borderless sizing option. Choose **Auto Expand** or **Retain Size**, then click **OK**.



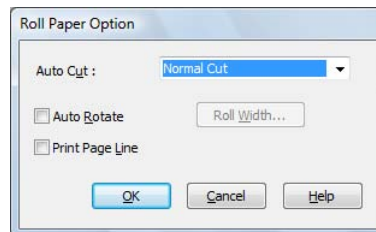
Auto Expand enlarges your image (up to 3%) to fit the size of the paper. You can use the slider to adjust the expansion.

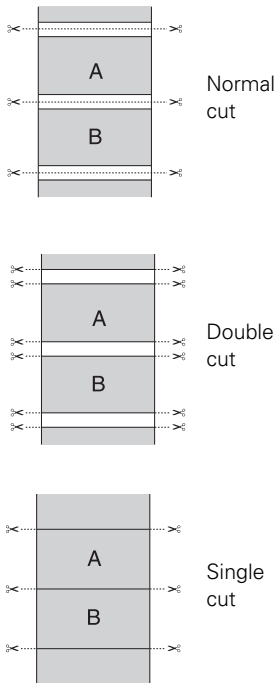
Retain Size prints your image at the size you specify in your application. You need to size it slightly wider than the paper width if you want to print without borders. See page 108 for more information.

The widths shown in the table on page 108 work with the **Standard** Expansion setting.

- Use the **Min** setting to minimize the amount of image clipping. You may see a white border around your image.
- Use the **Max** setting to maximize the image width. This will increase the amount of image clipping.

- Click the **Roll Paper Option** button. You see this window:





Note: These settings override settings made through the control panel.

8. Choose one of the following **Auto Cut** settings:
 - **Normal Cut** allows margin space at the top and bottom of each image.
 - **Double Cut** extends the space between images and trims each print individually. This provides the cleanest edge for borderless printing.
 - **Single Cut** allows images to be printed end-to-end and saves paper. With borderless printing, you may see a sliver of the previous or next image if you print multiple images in one print job. You will see a white margin between print jobs.
 - **Off** disables automatic cutting. Choose this setting if you want to operate the cutter manually, use the optional Auto Take-Up Reel, or print multiple print jobs without cutting. See page 68 for instructions on operating the cutter manually.

9. Select these additional roll paper options, if necessary:
 - **Auto Rotate** saves paper if your document length is shorter than the printable width of the roll. The document is automatically rotated 90 degrees and printed crosswise. Be sure to click **Roll Width** and select the width of your roll paper.
 - **Print Page Line** prints trim lines on the right and bottom edges of your pages.

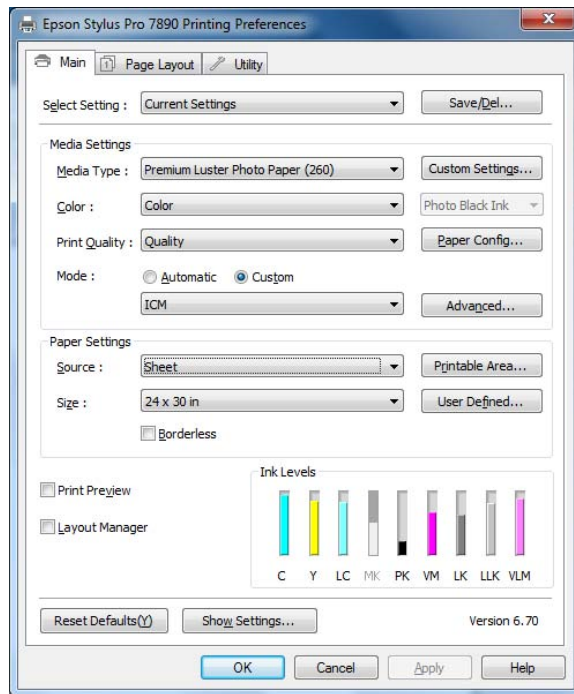
10. When you're finished, click **OK**.

Choosing Cut Sheet Paper Options

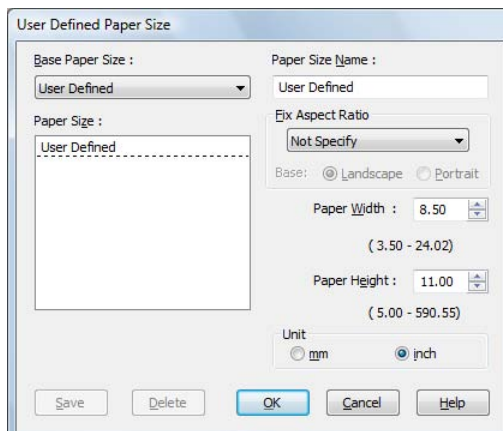
Follow the steps in this section to print on cut sheet paper and select settings for borderless printing, if desired. (If you're printing on roll paper, see page 116.)

1. On the Properties or Preferences window, make sure the **Main** tab is selected.

2. For the **Source** setting, select **Sheet**.



3. For the **Size** setting, select the size of the sheet loaded in the printer.
If the size of your paper is not listed, you can create a custom paper size.
Select **User Defined**. You see this window:



Type a name for your custom size, then enter the size in hundredths of an inch (or centimeters) and click **Save**. Then click **OK**.

4. If you want to center your image on the sheet, click **Printable Area**, then select **Centered**.
5. If you want to print to the edges of the page, click **Borderless** (not available for custom paper sizes). If you're not printing borderless images, go to step 7.

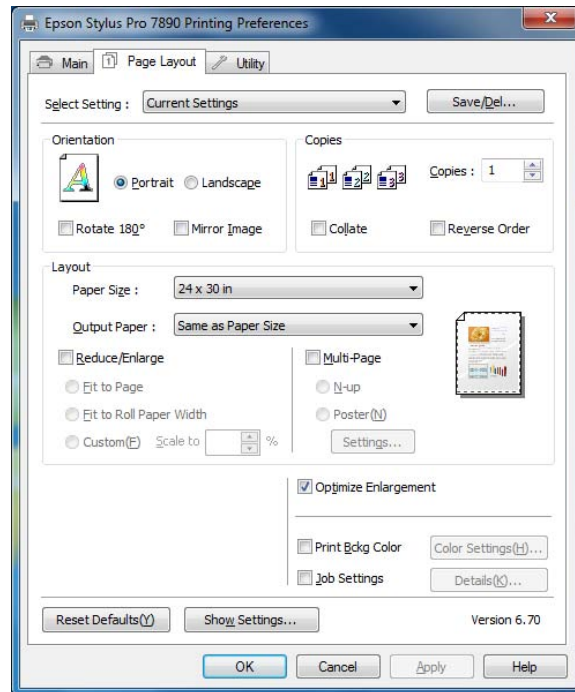
Note that borderless printing applies only to the left and right sides of the page on cut sheets; margins are required at the top and bottom of the page. For full-bleed borderless printing, use roll paper (see page 116 for instructions).

6. Click the **Expansion** button and choose **Auto Expand** or **Retain Size**:
 - **Auto Expand** enlarges your image (up to 3%) to fit the size of the paper. You can use the slider to control the amount of expansion.
 - **Retain Size** prints your image at the size you specify in your application. You need to size it slightly wider than the paper width if you want to print without borders.
7. If you want to reduce or enlarge your image, click the **Page Layout** tab. See the next section for more information.

Choosing Page Layout Options

You can print a poster-size image, even if your application does not support poster printing. Follow these steps to reduce or enlarge your image:

1. On the Properties or Preferences window, click the **Page Layout** tab. You see this window:



Note: Select **Landscape** when you want to rotate your image 90°.

2. Select the settings you want for **Orientation** and **Copies**.
3. Click **Reduce/Enlarge** if you want to have the driver resize your image. You can select **Fit to Page** or **Fit to Roll Paper Width**, or select **Custom** and enter a scaling percentage.
4. If you are enlarging your image beyond the limits of your application program, make sure **Optimize Enlargement** is selected. The driver will increase the image size up to 650% and decrease the output resolution to stay within the pixel limitations. Depending on the resolution of your image and the print size, you may see reduced quality in the print.

5. Click **Print Bckg Color** if you want to print color on the background of the page. Click the **Color Settings** button to select the color you want.
6. Click **Job Settings** if you want to have the time, date, and other information about your print job printed at the top or bottom of the page. Click **Details**, select the settings you want to use, and click **OK**.

Choosing Advanced Black and White Photo Settings

Note: If you are printing from Photoshop, make sure you do not use Photoshop's color management settings when using Advanced Black and White Photo mode. There are no profiles associated with this screening and color management technology.

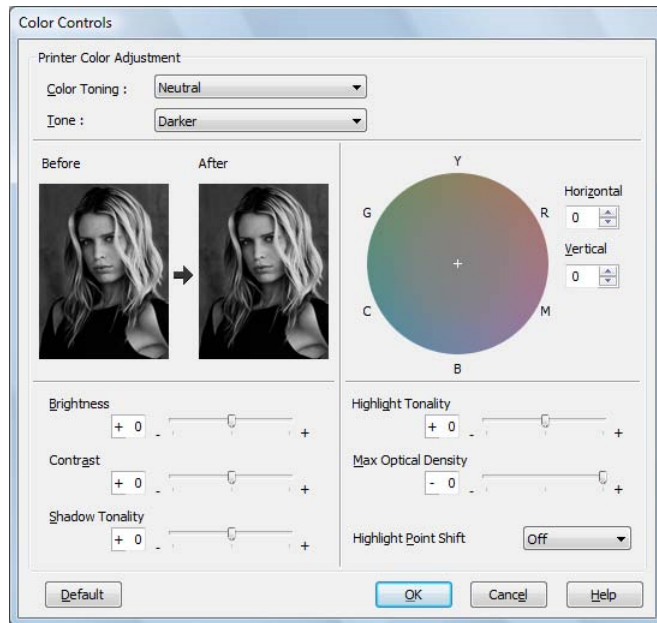
Advanced Black and White Photo mode allows you to easily produce neutral and toned black-and-white prints using your Epson driver. This mode offers an alternative black and white workflow with settings for more advanced control.

Whether your photo is color or grayscale, you can use this unique screening and color management technology to create stunning black-and-white prints. This mode is available only when printing on certain media types.

Note: If Advanced Black and White Photo is not available for your media type, you may need to change your black ink cartridge. See page 157 for more information.

1. On the Properties or Preferences window, make sure the **Main** tab is selected.
2. Select a **Media Type** setting that corresponds to the paper you are printing on. (See page 111 for instructions.)
3. For the Color setting, choose **Advanced B&W Photo**.
4. For the Mode setting, select **Custom**, then click **Advanced**.

You see this screen:



5. You can adjust the following advanced black and white photo settings:
 - **Color Toning** allows you to add tone (hue) to your black and white output. The default is **Neutral**, which will provide you with a neutral tonal scale print. You can also choose other popular presets such as **Cool**, **Warm**, and **Sepia**. Note that the presets will affect the target found in the tone color circle.
 - **Tone** allows you to easily change the entire tonal scale of your black and white output. While **Darker** is the default setting, you may see better results if you choose **Dark**.
 - **Brightness** adjusts the overall lightness and darkness of your image.
 - **Contrast** adjusts the difference between the light and dark areas of your image.
 - **Shadow Tonality** and **Highlight Tonality** allow you to control tonality only in the shadow or highlight areas of your image.
 - **Max Optical Density** adjusts the overall density or focus of the print. Create a soft focus print by setting the density lower.

- **Highlight Point Shift** helps to reduce gloss differential by adding density to the highlights of your image or the full page.
- The tone color circle adjusts the hue of your black and white print. Click on any portion of the color wheel or enter corresponding values to customize the tone (hue) you want to add. The closer you select to the edge of the wheel, the more color you add.

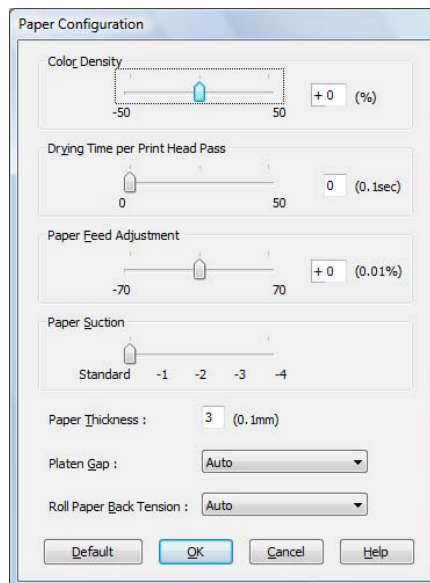
The preview image approximates the image tone based on your settings. Note that this preview always shows the same image and is not color managed. It provides a level of feedback as you make changes.

6. When you finish selecting settings, click OK.

Choosing Paper Configuration Options

If you are using non-Epson media and you need to fine-tune its performance, you can create a custom paper configuration and save it as a **Media Type** setting in the printer driver. Then, whenever you print on that media, you can select the custom Media Type, select the rest of your print settings, and print. You can even export the settings to a file you can share.

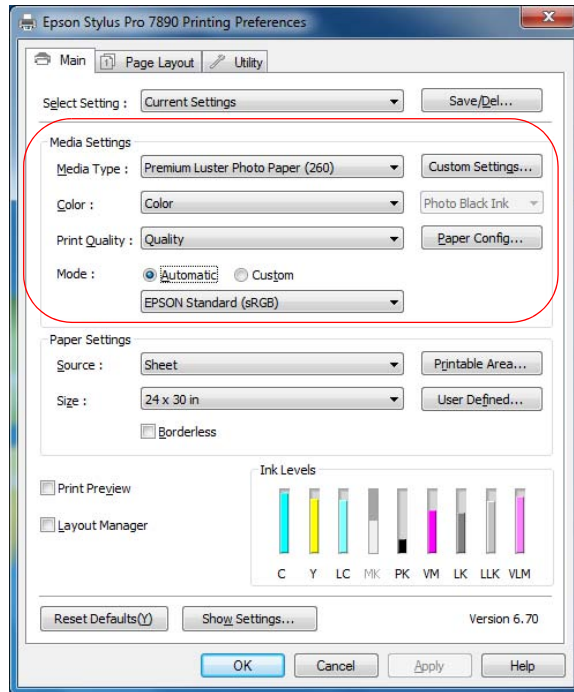
1. Click the **Paper Config** button on the **Main** tab. You see this window:



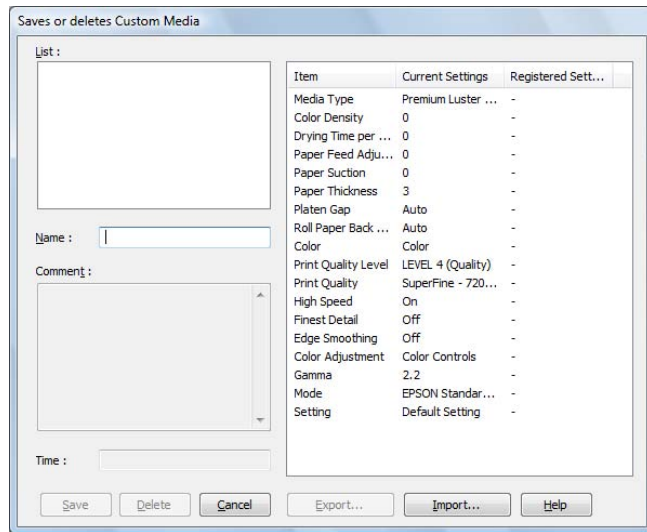
Note: You may need to change the Color Density setting if your custom profile was created to optimize D-max and color gamut.

2. Select the correct settings to match your ICC profile. These settings override any paper configuration settings you may have made using the printer's control panel.
 - **Color Density** lets you control the ink saturation level (for example, when you turn off color management in your printer software).
 - **Drying Time per Print Head Pass** lets you print with non-Epson media and avoid smearing the ink. You can make the print head wait up to 5 seconds after each pass to allow ink to dry on the page.
 - **Paper Feed Adjustment** helps reduce banding. Choose a lower value if you see white lines on your prints, or a higher value if you see dark lines.
 - **Paper Suction** lets you decrease the paper suction level when printing on thinner papers (less than 12 lb), such as CAD drafting paper.
 - **Paper Thickness** helps reduce vertical banding and creates a sharper image when printing on unusually thick or thin paper.
 - **Platen Gap** lets you fine-tune the setting for various paper thicknesses.
 - **Roll Paper Back Tension** lets you adjust the tension when printing on roll paper. Change the value if you find wrinkles on your printouts when **Auto** is selected.
3. When you finish selecting Paper Configuration settings, click **OK**.

4. On the **Main** tab, select any other necessary setting for your paper in the Media Settings box. (See page 109 through page 116 for details.)



5. Click the **Custom Settings** button. You see a window like this:



6. Verify that your settings are correct, type a name for the custom media type, and click **Save**.
7. After saving your settings, you can do the following:
- To use the settings to print right away, select the name you gave them in the **Media Type** list. Select the rest of the necessary print settings and print.
 - To save the settings to a file that you can share, click the **Custom Settings** button again, click the name of the settings in the list, click **Export**, select a location, enter a file name, and click **Save**.
 - To import settings from a file shared with you that does not exist in your **Media Type** list, click the **Custom Settings** button again, click **Import**, select the file you want to import, and click **Open**. When you return to the window shown above, click **Cancel**.

Saving, Exporting, and Importing Custom Settings

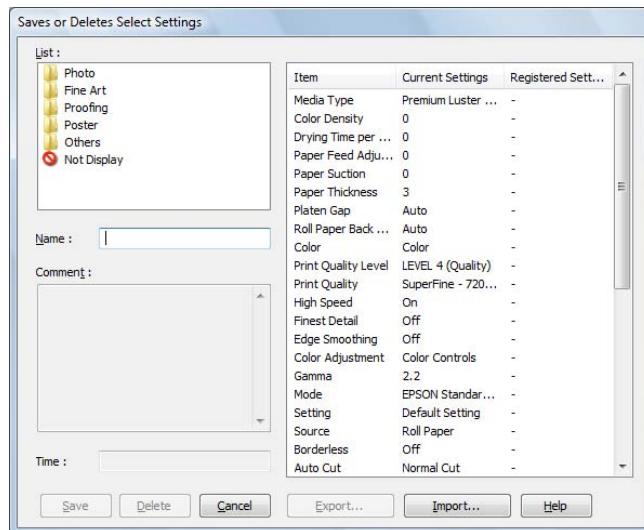
You can save groups of settings so you can reuse them for future print jobs with the same profile/printer/ink/media combination. You can also export them as a file that you can share with others, who can import them for printing.

In addition, the printer driver includes pre-defined setting groups for various types of printing. You can select them to set most of the settings you need, and then customize them for your particular print job.

You can also add, delete, or hide items in the printer driver window to customize the driver for your uses.

Saving and Exporting a Custom Settings Group

1. Follow the instructions in this chapter to select all the correct settings for a print job.
2. Click the **Save/Del** button at the top of the **Main** or **Page Layout** screen. You see a window like this:



3. Verify that your settings are correct, type a name for the settings group, and click **Save**.

4. After saving your settings, you can do the following:
 - To use the setting group to print right away, select the name you gave it in the **Select Setting** list, if necessary, and print.
 - To save the settings to a file that you can share, click the **Save/Del** button again, click the name of the setting group in the list, click **Export**, select a location, enter a file name, and click **Save**.

Importing a Custom Settings Group

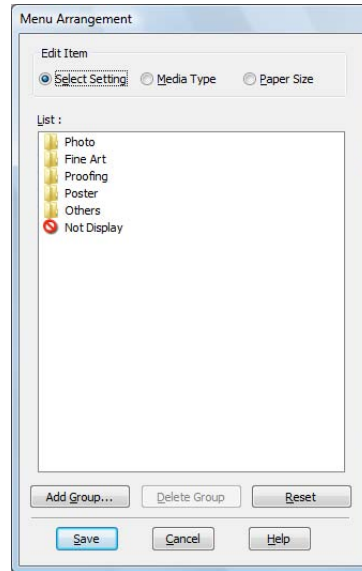
1. To import settings from a file shared with you that does not exist in your **Select Setting** list, click the **Save/Del** button.
2. Click **Import**, select the file you want to import, and click **Open**.
3. When you return to the settings list window, click **Cancel**.
4. To use the setting group to print right away, select the name you gave it in the **Select Setting** list, if necessary, and print.

Loading a Pre-Defined Settings Group

1. To view the settings associated with the pre-defined setting groups that came with your printer driver, click the **Save/Del** button. Then click the following category and name, and check the Registered Settings column:
 - Photo > Highest Quality
 - Fine Art > Monochrome
 - Proofing > ICM
 - Poster > Chroma Saturation
 - Others > 2Page N-up
2. Click **Cancel**.
3. To load a pre-defined setting group, select its category name in the **Select Setting** list (if necessary), customize any of the settings that do not match your print job, and print.

Editing Printer Driver Settings

1. Click the Utility tab, then select Menu Arrangement.



2. Select the item you want to edit. You can do the following:
 - Drag and drop the items to rearrange them
 - Add or delete groups
 - Move unused items into the Not Display group
3. When you're finished, click **Save**.


Managing Print Jobs

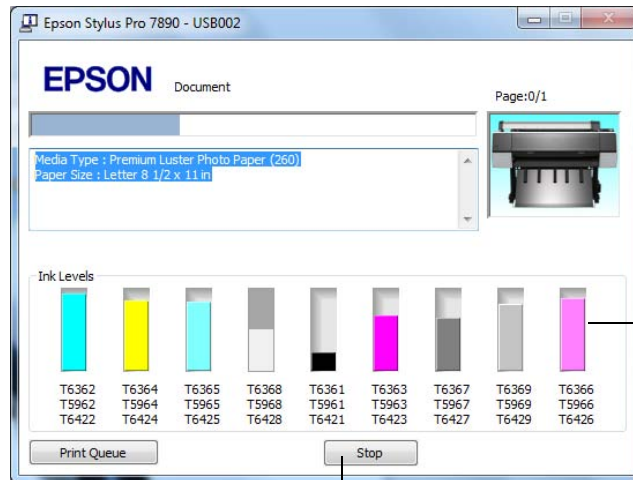
Your printer comes with two utilities that let you check on your print jobs and cancel, pause, or restart them.

The Progress Meter opens each time you send a print job. Status Monitor 3, which appears on the taskbar when you print, lets you check the printer's status and monitor print jobs. You can control how these programs work using the **Speed and Progress** and **Monitoring Preferences** utilities.

Using the Progress Meter

After you send a print job, the Progress Meter window appears:

Note: If it is no longer spooling in the computer, you can also cancel a print job by pressing the  button on the printer, selecting **JOB CANCEL**, and pressing the OK button.



May not appear if you are printing over a network

Click to cancel printing

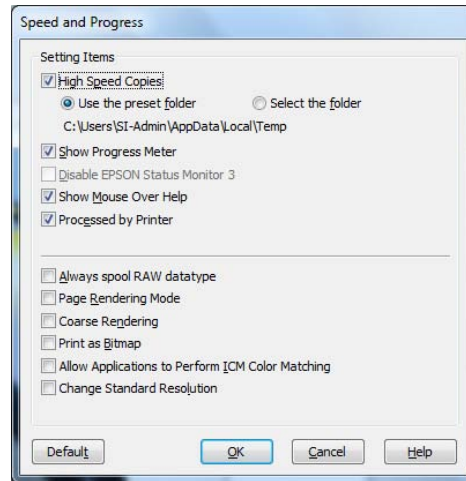
You can use the **Stop** button to cancel your print job. You also see how much ink you have left and view printing tips.

If you don't want the Progress Meter to appear, you can turn it off. See the next section for instructions.

Optimizing Print Speed

You can use the Speed and Progress utility to improve printing speed.

1. Click the **Utility** tab, then click the **Speed and Progress** button. You see this window:



Note: If you want to disable display of the progress meter during printing, you can click the **Show Progress Meter** checkbox to deselect it.

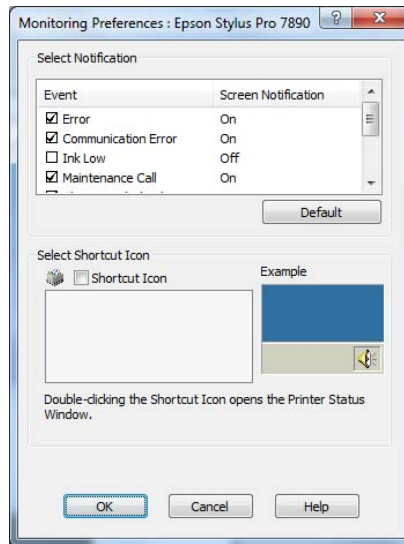
2. Select from the following options:
 - **High Speed Copies** speeds up printing of multiple copies of the same document using hard disk space as a cache. If you have multiple hard drives, you can select a different drive to spool to in the High Speed Copy Folder list to the right.
 - **Show Progress Meter** lets you control whether or not the Progress Meter is displayed when you send a print job.
 - **Disable EPSON Status Monitor 3** disables the printer software utilities. Selecting this option is not recommended unless you experience conflicts with other software.
 - **Show Mouse Over Help** lets you turn off the tool tips that appear when you move your cursor over the screen.
 - **Processed by Printer** allows the halftone output processing to be performed by the printer. This feature speeds up processing, especially for older computers, and ensures that the printer runs at maximum speed. This involves image compression and decompression, and does not affect the quality of your output.

- **Always spool RAW datatype** lets you spool documents using the RAW format instead of the EMF (metafile) format. Because the RAW format requires fewer resources, printing is faster and you can avoid certain problems, such as insufficient memory or disk space.
 - **Page Rendering Mode** speeds printing by rendering the entire page. Use this setting if print speed is extremely slow or the print head stops for a few minutes while printing. Printing will take longer to start.
 - **Coarse Rendering** allows you to override the length or width limitations in applications (such as Photoshop) that restrict the number of pixels you can print.
 - **Print as Bitmap** allows large or complex vector graphics to print faster in Adobe Acrobat® or any other non-image based application.
 - **Allow Applications to Perform ICM Color Matching** allows the application to adjust the colors based on the printer's ICC profile using the Image Color Matching system.
 - **Change Standard Resolution** allows the printer to change the standard resolution.
3. Click OK to save your settings.

Setting Monitoring Preferences

You can choose when and how you want to be notified of problems, whether you want a Status Monitor 3 icon to appear on your Windows taskbar, and whether you want to allow monitoring by other users who share the printer.

1. Click the **Utility** tab, then click the **Monitoring Preferences** button.
You see this window:



2. Select the notification options you want to use if various printing events occur.
3. If you want to have the Status Monitor 3 icon appear in your Windows taskbar, click the **Shortcut Icon** checkbox. Then select the icon to use.
When the shortcut is enabled, you can simply double-click the icon to open the Status Monitor 3 window or right-click it, then select **Monitoring Preferences** in the pop-up menu.
4. Select **Allow monitoring of shared printers** if your printer is shared and you want to let other users monitor it.
5. Click **OK** to save your settings.

Chapter 5: Managing Color With Profiles

For the most precise color in your prints, you can use profiles designed specifically for your printer model and paper type. Basic profiles are installed with your printer driver. For a list of the profiles and their corresponding media types, see page 192 (roll paper types) or page 197 (cut sheet paper types).

Assigning a profile to your image doesn't alter it, only the interpretation of it by your software and how it appears on your monitor and in a printout. This is the best way to improve the color balance and contrast in your image.

Follow the instructions in this chapter to use Photoshop 7, CS, CS2, or CS3 to print with profiles using Photoshop color management. It's important to turn off color management in your printer software when you use Photoshop color management or you'll get unexpected results. See one of these sections for instructions:

- “Mac OS X Printing With a Color Profile” below
- “Windows Printing With a Color Profile” on page 141

Mac OS X Printing With a Color Profile

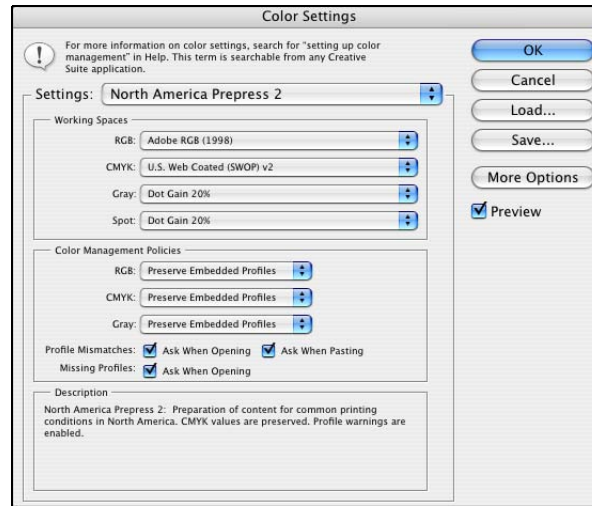
First you set up your color management environment in Photoshop and assign a profile to your image, then you select your print settings and print.

Setting Up Photoshop and Assigning a Profile

1. Open Adobe Photoshop.
2. Select **Color Settings** from the Photoshop or Edit menu.

Note: The settings shown are suggested values.

You see this window:



3. Select **U.S. Prepress Defaults** or **North America Prepress 2** from the **Settings** menu to set **Adobe RGB (1998)** as the color space. Click **OK**.

4. Open the photo you want to print.

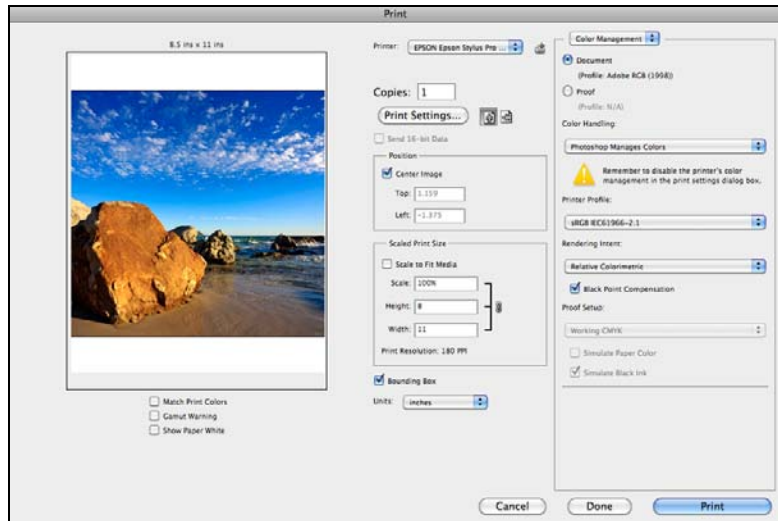
If you see an **Embedded Profile Mismatch** message, select **Use the embedded profile** and click **OK**.

If you see a **Missing Profile** message, select **Assign working RGB: Adobe RGB (1998)** and click **OK**.

5. When your image appears, evaluate the color balance and contrast. If they need improvement, select **Image > Mode > Assign Profile** or **Edit > Assign Profile**. Then select one of the following as the **Profile** setting:
 - A different RGB working space, such as **ColorMatch RGB** or **sRGB IEC61966-2.1**
 - A scanner profile for your scanner
 - A camera profile for your digital camera

Also click the **Preview** box so you can see the effects of your profile choice on the screen.

6. Select File, then click Print or Print with Preview.

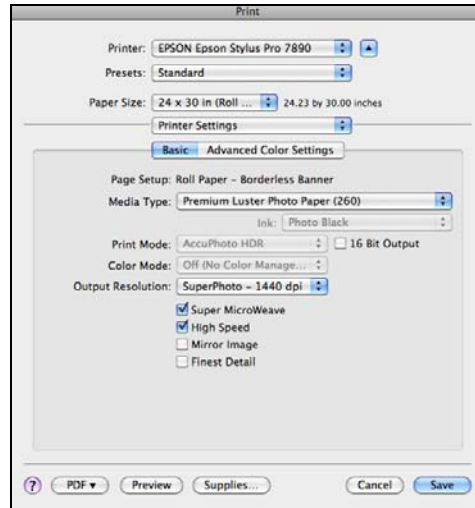


7. Click More Options or Show More Options, then select Color Management.
8. Click Page Setup, select page settings as necessary, and click OK.
9. Under Color Handling, select Let Photoshop Determine Colors or Photoshop Manages Colors.
10. Under Profile or Printer Profile, select a profile for your printer and the paper you'll use, such as Epson Stylus Pro 9890_9908_7890_7908 PremiumSemiglossPhotoPaper250.
11. As the Intent or Rendering Intent setting, select Relative Colorimetric or Perceptual, and click the Black Point Compensation checkbox.

Note: If your image contains very saturated colors, select **Perceptual**. This reduces the color saturation so that the colors fit within the printer's color gamut.

Selecting Print Settings and Printing

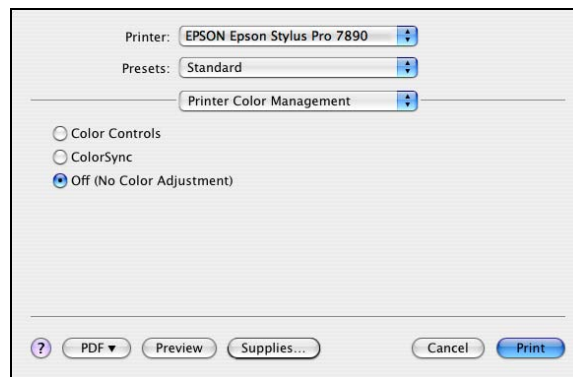
1. Click the Print button, select Stylus Pro 7890 or Stylus Pro 9890, and select Printer Settings or Print Settings.



2. Select the **Media Type** setting for your paper (see page 104).
3. Set the rest of the print settings you want to use (beginning on page 87).
4. Make sure **Color Mode** is set to **Off (No Color Management)**.

Note: Make sure that you select **Off (No Color Adjustment)** or **Off (No Color Management)**. If you don't, the printer driver will apply additional correction to the image data, producing inaccurate results.

If you selected the wrong combination of source profile, printer profile, and color management settings, you'll get unexpected results.



5. Click **Print** to print your photo.

Windows Printing With a Color Profile

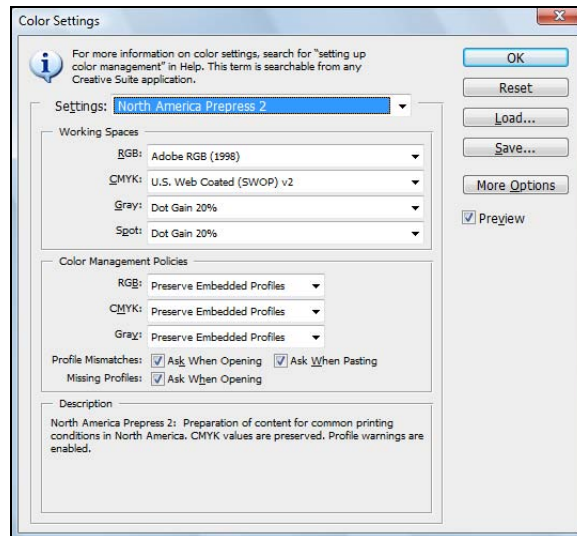
First you set up your color management environment in Photoshop and assign a profile to your image, then you select your print settings and print.

Note: The settings shown are suggested values.

Setting Up Photoshop and Assigning a Profile

1. Open Adobe Photoshop.
2. Select **Color Settings** from the Edit menu.

You see this window:



3. Select **U.S. Prepress Defaults** or **North America Prepress 2** from the **Settings** menu to set **Adobe RGB (1998)** as the color space. Click **OK**.
4. Open the photo you want to print.

If you see an **Embedded Profile Mismatch** message, select **Use the embedded profile** and click **OK**.

If you see a **Missing Profile** message, select **Assign working RGB: Adobe RGB (1998)** and click **OK**.

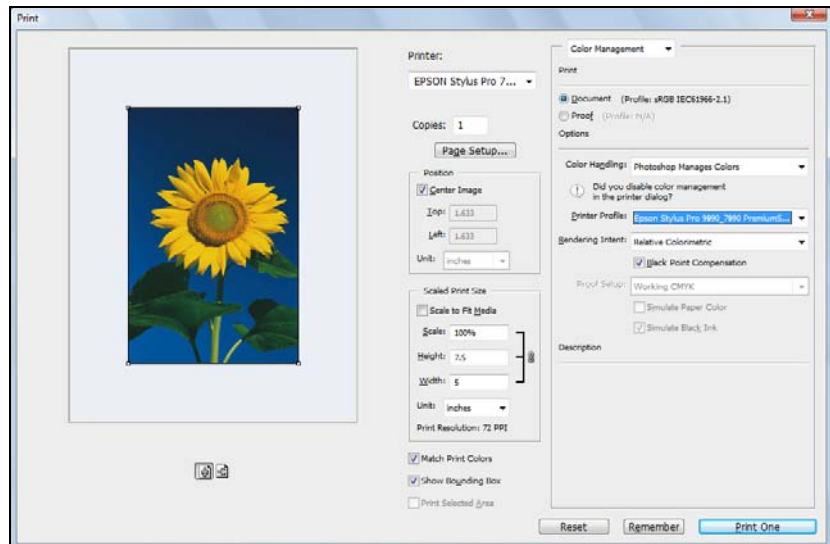
5. When your image appears, evaluate the color balance and contrast. If they need improvement, select **Image > Mode > Assign Profile** or **Edit > Assign Profile**. Then select one of the following as the Profile setting:

- A different RGB working space (or Profile), such as ColorMatch RGB or sRGB IEC61966-2.1
- A scanner profile for your scanner
- A camera profile for your digital camera

Also click the **Preview** box so you can see the effects of your profile choice on the screen.

6. Select **Page Setup** from the **File** menu, select your page settings, and click **OK**.

7. Select **File**, then select **Print** or **Print with Preview**.



8. Click **More Options** or **Show More Options**, then select **Color Management**.

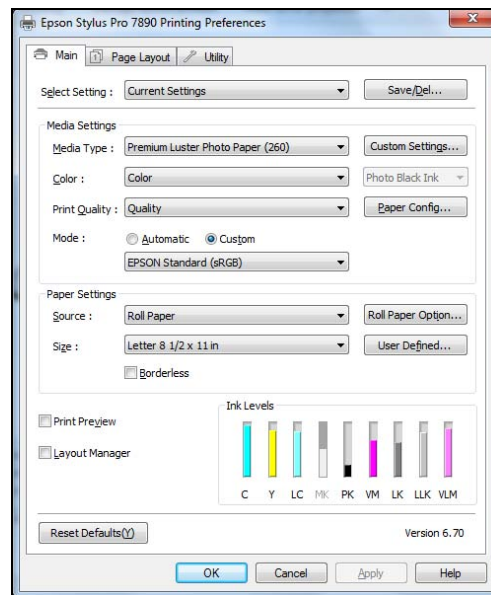
9. Under **Color Handling**, select **Let Photoshop Determine Colors** or **Photoshop Manages Colors**.

10. Under **Profile** or **Printer Profile**, select a profile for your printer and the paper you'll use, such as **Epson Stylus Pro 9890_9908_7890_7908 PremiumSemiglossPhotoPaper250**.
11. For the **Intent** or **Rendering Intent** setting, select **Relative Colorimetric** or **Perceptual**, and click the **Black Point Compensation** checkbox.

Note: If your image contains very saturated colors, select **Perceptual**. This reduces the color saturation so that the colors fit within the printer's color gamut.

Selecting Print Settings and Printing

1. Click the **Print** button, select your printer, and click **Properties** or **Preferences**.
2. Make sure the **Main** tab is selected.
3. Select the **Media Type** setting for your paper (see page 110).



Note: Make sure that you select **Off (No Color Adjustment)**. If you don't, the printer driver will apply additional correction to the image data, producing inaccurate results.

If you selected the wrong combination of source profile, printer profile, and color management settings, you'll get unexpected results.

4. Set the rest of the print settings you want to use (beginning on page 110).
5. For the **Mode** setting, select **Custom**. Then select **No Color Adjustment**.
6. Click **OK**, then click **Print** to print your photo.

Chapter 6: Maintaining and Transporting the Printer

The Epson Stylus Pro 7890 and Pro 9890 require little maintenance to keep working at their best. This chapter describes the following routine procedures:

- Checking printer status
- Checking and cleaning the print head
- Aligning the print head
- Replacing ink cartridges
- Changing the date and time
- Performing additional maintenance tasks
- Replacing the paper cutter blade
- Replacing the maintenance tank
- Cleaning the printer
- Transporting or storing the printer

In addition to the features described in this chapter, you can also use the menu system on the printer to fine-tune a variety of printer settings. For more information, see page 213.

Checking Printer Status

Using the control panel, you can check the amount of ink remaining, the total number of prints, and the status of your maintenance tank(s), and other information. You can print out a status check (described in the next section), or view the printer's status on the LCD screen (see page 146) or a printer driver screen (see page 147).

Note: You can replace the ink cartridges, cutter blade, and maintenance tank yourself. Other printer parts need to be replaced by an authorized Epson service technician.

Printing Status Information

The status check sheet shows some of the current default settings, the page count, and the status of the maintenance tank.

1. Make sure paper is loaded in the printer.
2. Press **▶ Menu**.
3. Press **▼** to select **TEST PRINT**, then press **▶**.
4. Press **▼** to select **STATUS SHEET**, then press **▶**.
5. Press **OK** to start printing.

Viewing Status Information



1. Press **▶ Menu**.
2. Press **▼** to select **PRINTER STATUS**, then press **▶**.
3. Do one of the following:
 - To check the firmware version, press **▶** again. When done, press **◀**.
 - To check the amount of ink left, press **▼** to select **INK LEVEL**, then press **▶**. The percentage of ink left in the first cartridge is displayed. Continue pressing **▼** to see the status of the remaining cartridges. When done, press **◀**.
 - To check how much capacity the maintenance tank(s) have, press **▼** to select **MAINTENANCE TANK**, then press **▶**. The percentage remaining for each tank is displayed. As the tank is filled, the percentage drops. When done, press **◀**.
 - To check job history, press **▼** to select **JOB HISTORY**, then press **▶**. For the last 10 print jobs saved in the printer, you see the ink used (in milliliters) and paper used (in square centimeters). The most recent job is saved as No. 0. When done, press the **◀** button.
 - To check the total number of prints, press **▼** to select **TOTAL PRINTS**, then press **▶**. When done, press **◀**.
4. Press **|| • 🗑️** to exit the menu.

Note: You can change the units of measurement from centimeters to inches and feet using maintenance mode on the printer's control panel. See page 158 for instructions.

For more information about the Printer Status menu, see page 213.

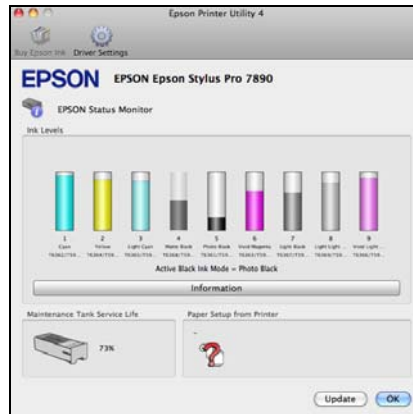
Checking Printer Status From the Printer Driver

The Epson Status Monitor utility installed with your printer driver lets you check the levels of ink in the printer and the level of the maintenance tank(s). Follow the steps below to use the utility to check the status.

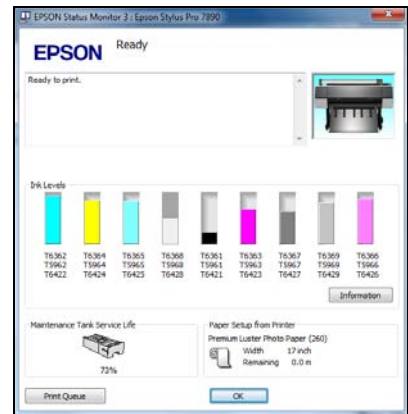
1. Do one of the following to access the printer utilities:
 - **Mac OS X:** Open the EPSON Printer Utility⁴ in your Applications folder. Select your printer and click OK.
 - **Windows 8.x:** Navigate to the Apps or All Apps screen. Select Control Panel > Hardware and Sound > Devices and Printers. Right-click the icon for your printer, then select Printing Preferences. Click the Maintenance tab.
 - **Windows 7:** Click  and select Devices and Printers. Right-click your product name and select Printing Preferences. Click the Maintenance tab.
 - **Windows Vista:** Click  and select Control Panel. Click Printer under Hardware and Sound, right-click your product name and select Printing Preferences. Click the Maintenance tab.
 - **Windows XP:** Click Start and select Control Panel. Double-click Printers and Faxes. Right-click your product name and select Printing Preferences. Click the Maintenance tab.
2. Click the EPSON Status Monitor 3 icon.

Tip: If you added a shortcut icon for your printer to the Windows taskbar, you can right-click it and select any utility you want to run. See page 135 to add the icon.

The software checks the amount of ink in the printer and maintenance tank(s) and displays one of these windows:



Mac OS X



Windows

Checking and Cleaning the Print Head


If your printed image shows a color shift or horizontal lines, you should check the print head to see if any nozzles are clogged or deflected. If necessary, you can run a cleaning cycle to clear the nozzles.

You can also turn on Auto Nozzle Check from the printer's control panel. The printer will then check the nozzles periodically or before each print job and clean them if necessary.

Running the Nozzle Check and Head Cleaning Utilities

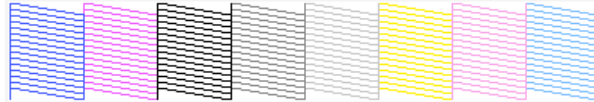
Follow these steps to use your printer software to check the print head nozzles and clean them if necessary:

1. Make sure paper is loaded in the printer.
2. Do one of the following to access the printer utilities:
 - **Mac OS X:** Open the EPSON Printer Utility4 in your Applications folder.
 - **Windows:** Navigate to the Windows Desktop and right-click the product icon in the Windows taskbar.

Tip: On a Macintosh, you can also run maintenance utilities by clicking the **Utility** button in the print job window or the  icon on the printer settings screen.

If you added a shortcut icon for your printer to the Windows taskbar, you can right-click it and select any utility you want to run. See page 135 to add the icon.

3. Select the **Nozzle Check** icon and follow the instructions on the screen.
4. After the pattern is printed, use at least a 10× eye loupe to examine it.
 - If the pattern looks good, as shown below, the print head is clean.



- If any dots or segments are missing or deflected, as shown below, run a cleaning cycle as described on page 151. Then print another nozzle check pattern to make sure the nozzles are clean.



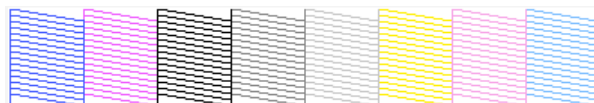
- If the nozzles are still clogged after three cleaning cycles, run a power cleaning cycle as described on page 151.

Caution: Don't run a cleaning cycle while thick media is loaded in the printer.

Checking and Cleaning the Print Head Using the Control Panel

You can print a nozzle check from the control panel and examine it to determine whether any nozzles are clogged or deflected. Then you can run a cleaning cycle if necessary.

1. Press ► **Menu**.
2. Press ▼ until **TEST PRINT** is selected, then press ►. **NOZZLE CHECK** is selected.
3. Press ►, then press **OK** to start printing the nozzle check pattern.
4. After the pattern is printed, use at least a 10× eye loupe to examine it.
 - If the pattern looks good, as shown below, the print head is clean.



- If any dots or segments are missing or deflected, as shown below, run a cleaning cycle as described on page 151. Then print another nozzle check pattern to make sure the nozzles are clean.



Caution: Don't run a cleaning cycle while thick media is loaded in the printer.

- If the nozzles are still clogged after three cleaning cycles, run a power cleaning cycle as described on page 151.

Automatically Checking and Cleaning the Print Head

The printer automatically checks the nozzles and cleans them if necessary. You can specify how often you want this to happen or turn this feature off. You can also have a nozzle check pattern printed on a regular basis, so you can check it yourself.


1. Press **▶** **Menu**. **PRINTER SETUP** is selected. Press **▶** again.
2. Press **▼** until **AUTO NOZZLE CHECK** is selected, then press **▶**.
3. Select one of the following, then press **OK**:
 - **ON: PERIODICALLY**—The printer periodically checks its nozzles and runs a cleaning cycle if necessary (default).
 - **ON: EVERY JOB**—The printer automatically checks its nozzles and runs a cleaning cycle if necessary before each print job. This process uses a very small amount of ink (and no paper) and is recommended if you are running large print jobs unattended.
 - **OFF**—The printer will not perform automatic nozzle checks and cleaning cycles.
4. Press **◀**, then select **PRINT NOZZLE PATTERN** and press **▶**.
5. Select **ON: EVERY PAGE** to have the nozzle check pattern printed before each print job, or **ON: EVERY 10 PAGES** or **OFF**. These settings take effect only when you print on roll paper.
6. Press **OK** to save the setting.

Running Cleaning Cycles

You can run several types of cleaning cycles from the control panel (or from the Epson LFP Remote Panel2): normal cleaning, power cleaning, and cleaning each pair of ink colors.

Run the power cleaning only if the normal cleaning process is not sufficient to clear the nozzles. The power cycle uses a large quantity of ink, so it is recommended only as a last resort.

The cartridges need to be at least 50% full to use power cleaning. You may need to replace a low cartridge to run the cleaning cycle. After cleaning, you can reinsert the old cartridge.

1. Print a nozzle check to make sure the print head needs cleaning, as described on page 150.
2. Make sure the printer is ready and the red  ink **Check** light on the printer's control panel is not on or flashing.
3. Press **▶ Menu**.
4. Press **▼** until **MAINTENANCE** is selected, then press **▶**.
5. Press **▼** until **CLEANING** is selected, then press **▶**.
6. Select one of the following, then press **▶**:
 - **NORMAL CLEANING**—Press **OK** to start the cleaning cycle.
 - **CLEAN COLOR PAIRS**—Press **▶**, select the color pair you want to clean, then press **OK** to start the cleaning cycle.
 - **POWER CLEANING**—Press **OK** to start the cleaning cycle.
7. When cleaning is finished and the Power light stops flashing, print the nozzle check again to confirm that the head is clean.

For effective cleaning, always run a nozzle check between cycles.

If the pattern is still missing segments or has deflections after a power cleaning cycle, turn the printer off and leave it overnight, then clean the print head again the following morning with regular cleaning cycles. If you still see no improvement, contact Epson for assistance.

Caution: Don't run a cleaning cycle while thick media is loaded in the printer.

Note: You must use at least a 10x eye loupe to examine the nozzle check pattern for deflected nozzles.

Aligning the Print Head

Aligning the print head is the most important thing you can do to ensure the best print quality. If banding appears on your prints, if they look grainy or blurry, or if you see misregistration or “ghosting,” you need to align the print head.

Although you can align the print head using the printer utility software, it’s also easy to align from the printer’s control panel. This will do the most thorough job in the shortest time, and it’s all automatic.

If you haven’t already done so, it’s a good idea to run a nozzle check before aligning the print head (page 150). This ensures that the print head alignment patterns print correctly.


Follow these steps to align the print head using the control panel:

Tip: To properly align the print head, you can also use Epson Doubleweight Matte Paper or Ultra Premium Photo Paper Luster.

1. Make sure the printer is turned on. Then load Epson Enhanced Matte paper.
2. Press ► **Menu**.
3. Press ▲ or ▼ until **HEAD ALIGNMENT** is selected, then press ►. **PAPER THICKNESS** is selected.
4. Press ► two times, then select the paper type loaded in the printer and press **OK**.
5. Press ◀ three times, then press ▼ to select **ALIGNMENT**.
6. Press ► to select **AUTO**, then press ► again. **UNI-D** (uni-directional) is highlighted. This is the type of alignment to start with.
7. Press ►, then press **OK** to start the alignment process.

Each head alignment takes about 7 minutes. The printer’s white beam sensor reads the alignment pattern and adjusts the printer automatically. Make sure you don’t open the front cover or turn off the printer during this process.

8. When the uni-directional alignment is finished, press ►.
9. Select **HEAD ALIGNMENT**, then select **ALIGNMENT**.

10. Select **BI-D ALL** and press **OK** to start the alignment process.
11. When done, press **||**  to exit head alignment mode.


Replacing Ink Cartridges

Tip: You can store partially used ink cartridges for up to 6 months. If you do so, Epson recommends covering the openings with tape.

Before you begin a large print job, you should check your ink levels. If one of your cartridges is low, you can replace it before you start. Or you can wait until the ink is expended, replace the cartridge, and then continue the job without any loss of print quality. However, it is best to replace a low ink cartridge before starting a large print job.

The easiest way to check ink levels is from the control panel LCD screen. The numbers above the ink icons on the LCD screen correspond to the 9 ink cartridge slots on the printer.

The icons show the approximate amount of ink remaining.

When the red  **Ink Check** light is flashing and **INK LOW** appears on the LCD screen, the indicated cartridge is almost expended. Make sure you have a replacement cartridge. When the light stays on and **REPLACE INK CARTRIDGE** is displayed, the cartridge is expended. You must replace the cartridge before you can continue printing.

You can install any combination of 150, 350, and 700 ml cartridges. Use the following Epson UltraChrome K3[®] with Vivid Magenta ink cartridges:

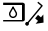
Ink bay	Slot no.	Cartridge	150 ml	350 ml	700 ml
Left	1	Cyan (C)	T642200	T596200	T636200
	2	Yellow (Y)	T642400	T596400	T636400
	3	Light Cyan (LC)	T642500	T596500	T636500
	4	Matte Black (MK)	T642800	T596800	T636800
	5	Photo Black (PK)	T642100	T596100	T636100
Right	6	Vivid Magenta (VM)	T642300	T596300	T636300
	7	Light Black (LK)	T642700	T596700	T636700
	8	Light Light Black (LLK)	T642900	T596900	T636900
	9	Vivid Light Magenta (VLM)	T642600	T596600	T636600

Yields vary considerably based on images printed, print settings, paper type, frequency of use, and temperature. For print quality, a small amount of ink remains in the cartridge after the “replace cartridge” indicator comes on.

For best printing results, use up a cartridge within six months of opening the package.

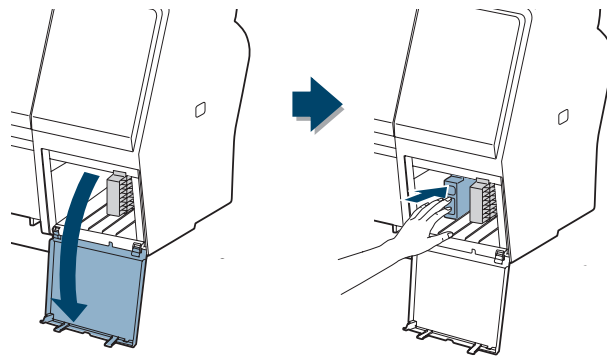
You can purchase genuine Epson ink and paper from an Epson Professional Imaging Authorized Reseller. To find the nearest reseller, visit www.proimaging.epson.com (U.S. sales), www.epson.ca (Canadian sales), or call 800-GO-EPSON (800-463-7766). Or you can purchase online at www.proimaging.epson.com (U.S. sales) or www.epson.ca (Canadian sales).

Before you start, make sure the printer is turned on. Then follow these steps:

1. Note the color of the cartridge that is low or expended.
2. Press the  button.
 - If ink in one or more cartridges is expended, the corresponding ink cover is unlocked.
 - If the ink is not expended, select the ink bay you want to open and press OK.
3. Open the ink cover all the way.
4. Then press in the cartridge you want to replace. The cartridge pops out.

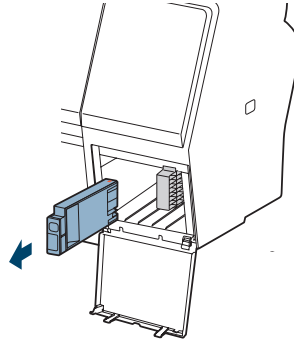
Caution: Leave the expended cartridge in the printer until you are ready to replace it.

To prevent ink reporting errors, never replace the ink cartridges with the printer turned off.

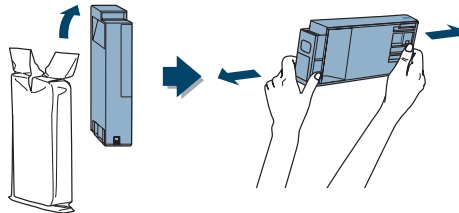


WARNING: Do not shake the expended cartridge, or ink may leak out. If ink gets on your hands, wash them thoroughly with soap and water. If ink gets in your eyes, flush them immediately with water.

- Remove the expended ink cartridge from the printer. It's a good idea to save your first set of expended cartridges so you can use them for transporting the printer, if necessary.

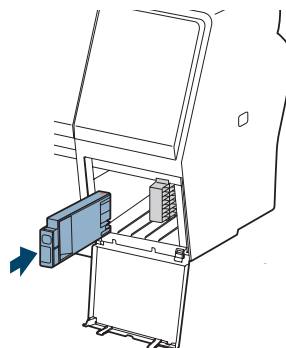


- Make sure the replacement cartridge is the correct color and remove it from its package. Gently shake the cartridge for about 5 seconds before installing it.



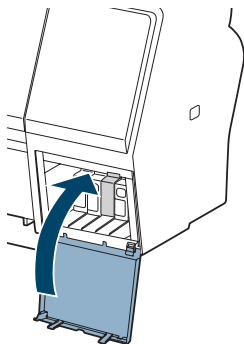
Note: If you can't insert the cartridge smoothly, you may have the wrong cartridge. Check the package and product code. If the **Ink** light remains on after installing the cartridge, it may not be inserted fully.

- Hold the cartridge with the arrow pointing toward the printer. Then insert the cartridge into the slot until it clicks into place. Don't force it in.



Caution: Do not remove and re-insert cartridges more often than necessary. Doing so can compromise the needle valve seal and allow air to enter the ink tubes, causing nozzle damage.

8. Close the ink cover.



Once the cartridge is installed, the printer returns to its **READY** state.

Switching Black Ink Mode

You can switch the black ink from Photo Black to Matte Black or vice-versa by pressing the  button on the control panel.


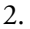

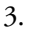

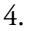

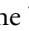
- The Photo Black cartridge is ideal for printing photographic images on all media types. It is optimized for traditional photographic and ink jet-coated papers, such as Epson Ultra Premium Photo Paper Luster, Premium Photo Paper Semi-gloss, Proofing Paper Commercial, and so on.
- The Matte Black cartridge is optimized for printing photographic images on matte or fine art papers, such as Epson Ultra Premium Presentation Paper Matte and Epson Velvet Fine Art Paper. This cartridge significantly increases black optical density.

Generally, you should switch black ink cartridges only if you plan to run a large number of print jobs in the new mode.

- Switching from Photo Black to Matte Black takes 2 minutes and consumes approximately 1.2 ml of ink.
- Switching from Matte Black to Photo Black takes 3 minutes and consumes approximately 3.4 ml of ink.

Changing the Date and Time

Note: You can use the PRINTER SETUP menu to enable the roll paper counter, paper size check, and several other printer features. For more information, see page 213.

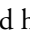
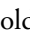

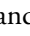
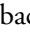
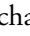
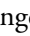

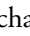
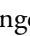


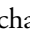
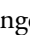

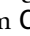
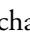
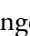


1. Press  Menu.
2. Press  until MAINTENANCE is highlighted, then press .
3. Press  until you see CLOCK SETTING, then press .
4. Use the , , and  buttons to set each item in the date and time, displayed in the following format: MM/DD/YY HH:MM.
5. Press OK to save the setting.

Using Maintenance Mode

Maintenance mode allows you to make special settings and perform maintenance procedures that may be needed occasionally. You can use maintenance mode to do the following:

- Change the language or units of measurements used on the printer's control panel menus.
- Adjust the maximum value for roll paper tension.
- Run a “super strong” cleaning cycle.
- Return all of the printer's control panel settings to their default values.

Follow these steps to use maintenance mode:

1. Make sure the printer is turned off.
2. Press and hold the  button, then press the  Power button and hold it until the printer turns on and the LCD screen displays **MAINTENANCE MODE**.
3. Use the  and  buttons to select the settings described below. If you need to back up to the previous menu level, press .
 - To change the language on the LCD screen, press  to highlight **LANGUAGE**, then press . Press  until you see the language you want, then press **OK** to select it. The printer exits maintenance mode and returns to normal operation.
 - To change the units of measurement, press  to highlight **LENGTH UNITS**, then press . Press  to switch from **METRIC** to **FEET/INCH**, then press **OK** to select it. Press  when done.
 - To change the temperature units of measurement, press  to highlight **TEMPERATURE UNITS**, then press . Press  to switch from **C** (Celsius or centigrade) to **F** (Fahrenheit), then press **OK** to select it. Press  when done.
 - To change the maximum roll paper tension, press  to highlight **ROLL PAPER TENSION**, then press . Press  to decrease the maximum value, or  to increase it (from 1 to 5). Press **OK** to select the setting you want.

- To run a super strong cleaning cycle, press ▼ to highlight **SS CLEANING**, then press ► to display **EXECUTE**. Press **OK** to start the cleaning cycle.
 - To return all control panel settings to their default values, press ▼ to highlight **DEFAULT PANEL**, then press ► to display **EXECUTE**. Press **OK** to restore the default settings.
4. To exit maintenance mode, turn off the printer by pressing the ⏻ Power button. Press the ⏻ Power button again to turn on the printer in the normal operating mode.

Replacing the Paper Cutter

If you notice that your paper isn't being cut cleanly, the cutter may need to be replaced.

You can obtain a new cutter from Epson (part number C12C815331). See page 12 for ordering details.

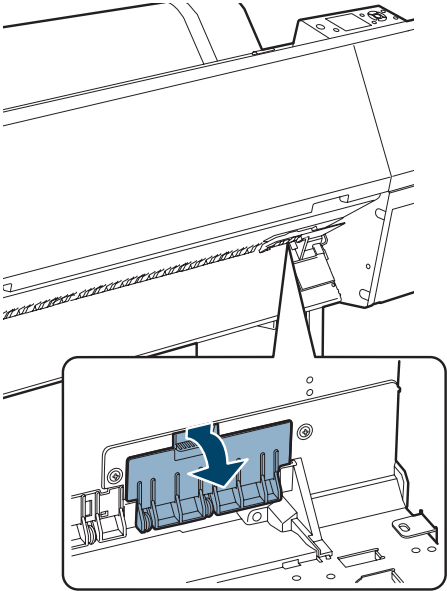
Removing the Old Cutter

Make sure the printer is turned on, then follow these steps to remove the cutter:

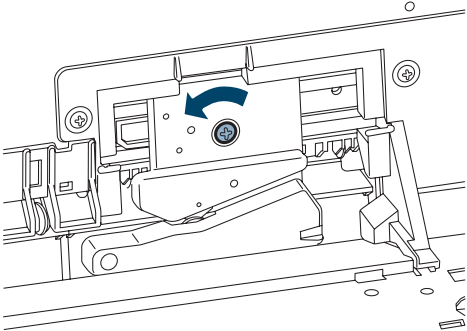
1. Press ► **Menu**.
2. Press ▼ until **MAINTENANCE** is highlighted, then press ►.
3. Press ▼ until **CUTTER REPLACEMENT** is highlighted, then press ► again.
4. Press **OK**. The paper cutter moves to the replacement position.

Note: If the optional SpectroProofer is attached to the printer, remove it following the instructions that came with it.

5. To remove the cutter cover, press in the tab and pull it down.

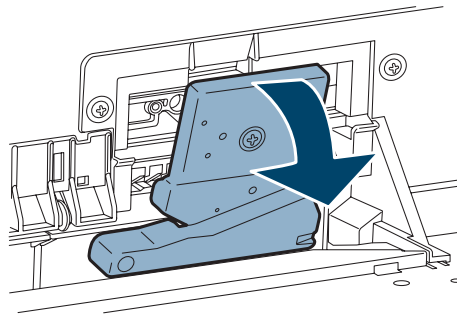


6. Loosen the screw using a cross-head screwdriver.



WARNING: The blade is sharp. Be careful when removing the cutter.

7. Carefully remove the cutter.

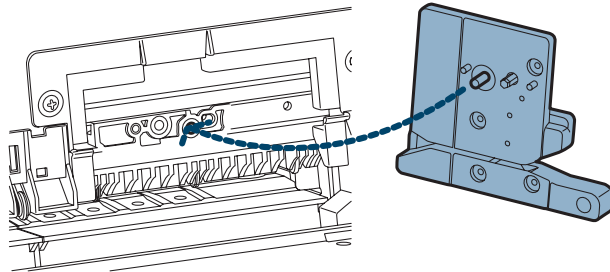


8. Dispose of the cutter in accordance with local regulations.

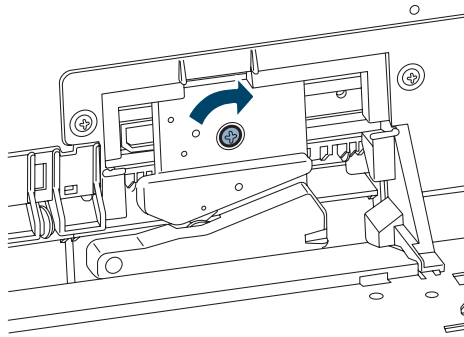
Installing the New Cutter

Remove the new cutter from its package, then follow these steps to install it:

1. Insert the new cutter into the holder. Make sure the cutter pin goes into the hole.

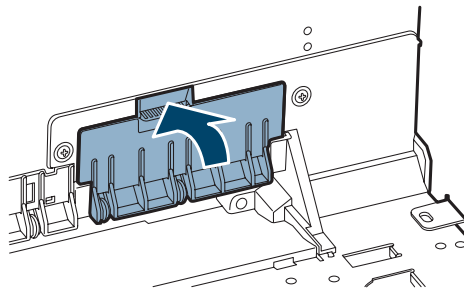


2. Tighten the screw using a cross-head screwdriver.



Note: Reinstall the optional SpectroProofer if necessary, following the instructions that came with it. Then turn on the printer and press the OK button.

3. Align the cover, then press it in until it clicks into place.



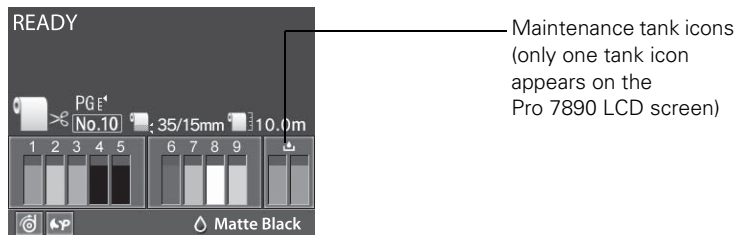
4. Press OK to finish the replacement process. The cutter moves to home position.
5. Run the Cutter Adjustment from the Maintenance Menu on the control panel.

After you print the pattern, put the two cut pieces together and select the pattern with the most precise cut between the two colors. Select the pattern number on the control panel and press OK.

Replacing the Maintenance Tank

The maintenance tank stores ink that gets flushed from the system during the initial ink charge and manual and automatic print head cleaning. When the tank is almost full, the message **MAINTENANCE TANK NEARLY FULL** appears on the LCD screen. When the tank is completely full, the printer stops working and **MAINTENANCE TANK FULL** appears on the LCD screen.

You can check how much space remains in the maintenance tank by viewing its icon on the control panel, shown below. You can also check its status using the menus (see page 146), using your printer software (see page 147), or by printing a nozzle check sheet (see page 150).



The icon(s) show the approximate amount of space remaining in the tank(s).

The Epson Stylus Pro 7890 has one maintenance tank (on the right side), and the Pro 9890 has two (one on either side). Replacement tanks are available from Epson (part number C12C890191). See page 12 for details.

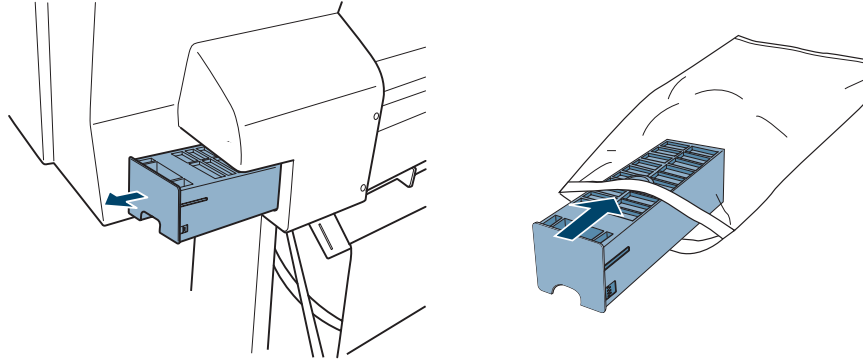
The printer will not print if one of the maintenance tanks is full. On the Epson Stylus Pro 9890, the right tank is used more than the left. To maximize tank life, you can switch the tanks when the right tank reaches approximately 40% to 60% of capacity.

Follow these steps to replace the tank:

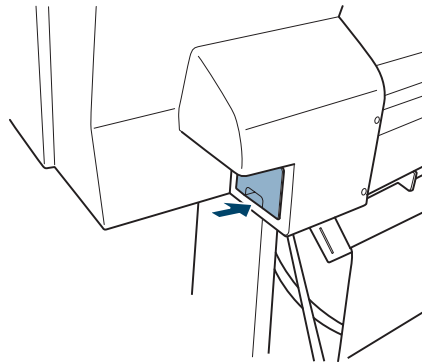
1. If you have the Epson Stylus Pro 9890, check the LCD screen to determine which tank needs to be replaced (left or right).
2. Turn off the printer.

3. Grasp the handle at the bottom of the tank (on the side of the printer) and gently pull out the maintenance tank. Then place it in the plastic bag included with the new tank.

Caution: Be careful not to spill ink from the maintenance tank when removing it. Hold it upright at all times and dispose of it carefully.



4. Insert the new tank.



Cleaning the Printer

To keep your printer working at its best, clean it if it becomes soiled.

1. If your prints are soiled by ink on the roller, load inexpensive roll paper and press ▼ to feed the paper without printing on it. Press ▼ several times until the paper is clean.
2. Turn off the printer and wait until all the lights are off. Then unplug the power cord and disconnect the printer from your system.
3. Open the front cover and use canned air or a soft lint-free cloth to carefully clean away any dust or dirt inside the printer.
4. Clean the area shown below in the direction of the arrows. If necessary, dampen the cloth, clean the inside of the printer, then dry it with a soft cloth.

Caution: Be careful not to touch the gears inside the printer.

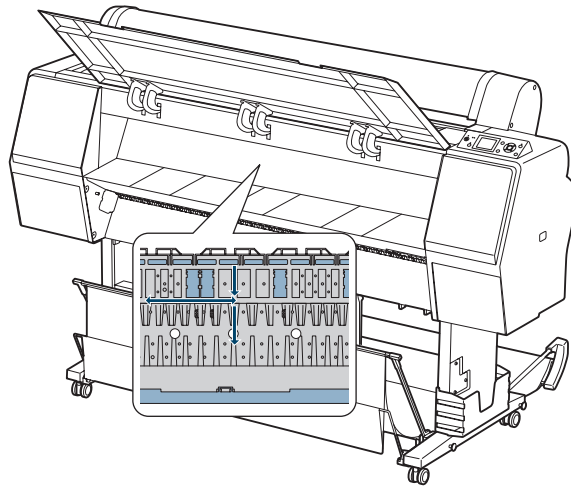
To avoid damaging the components as well as the case, never use alcohol or thinners to clean the printer.

Be careful not to get water on the printer mechanism or electronic components.

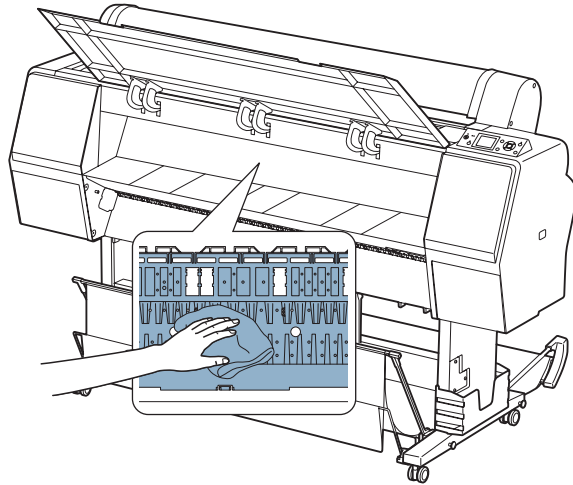
Don't use a hard or abrasive brush.

Don't spray the inside of the printer with lubricants; unsuitable oils can damage the mechanism. Contact Epson if you think the printer needs lubrication.

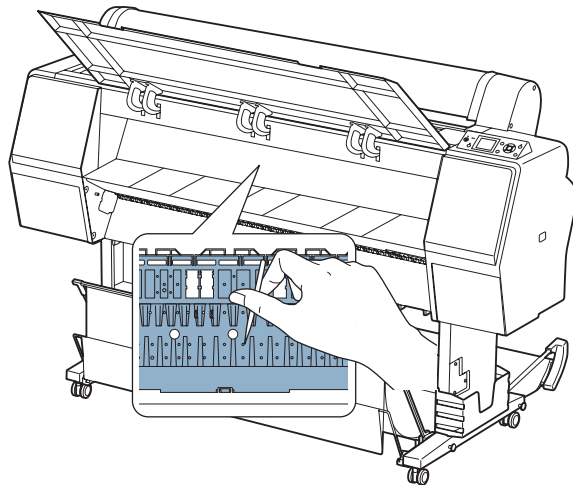
Do not touch the gray area, roller, or absorption pads inside the printer; otherwise your prints may be soiled.



5. If your prints are soiled on the back, wipe the blue area carefully.



6. If powdery dust has accumulated, use a toothpick or similar tool to remove it.



7. Remove the paper basket. Then clean away any dust or dirt around the leg assembly using a soft brush.


8. If the outer case is dirty, clean it with a soft, clean cloth dampened with mild detergent. Keep the ink cartridge compartments closed to prevent water from getting inside.
9. To wash the paper basket, remove the shafts, then machine wash with mild detergent and air dry.

Transporting or Storing the Printer

If you are moving the printer a short distance (for example, in the same building), you can roll it on its stand (see page 169). To ship the printer a longer distance, you should repack it using the original box and packing materials. Follow the instructions below to prepare the printer for shipment.

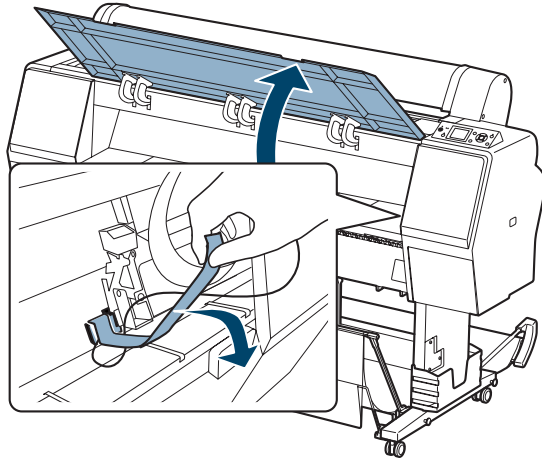
If you don't have the original packaging, you can purchase replacement packaging from Epson. See page 12 for more information.

Preparing the Printer for Shipment

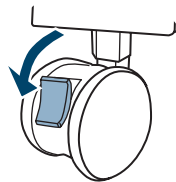
1. Turn off the printer and wait until the carriage moves to the home position (on the far right) and the  Power light goes off. Then unplug the printer.
2. Remove the following parts:
 - Power cord and interface cables
 - Paper basket
 - All paper or other media
 - Optional Auto Take-Up Reel (if installed)
 - Optional SpectroProofer Mounter (if installed)
3. Leave the ink cartridges installed.

4. Open the front cover and reinstall the packing material that you removed from the print head during setup. Then close the cover.

Tip: For more secure transportation, tape all doors and covers shut.



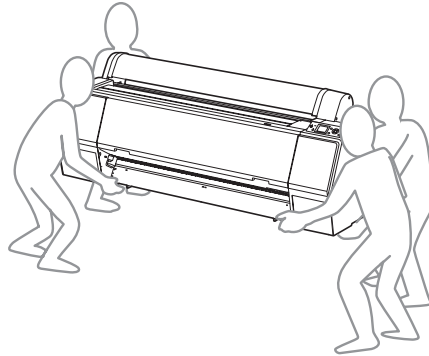
5. Before you remove the printer from the stand, make sure the casters are locked.



6. Remove the two wing nuts and lock washers securing the printer to the stand (underneath the printer). Keep them in a safe place.

WARNING: The printer is very heavy. Make sure you have four people lift it.

7. Lift the printer using the hand grips where provided. (See the stickers located near the rear hand grips for the correct holding position.)



8. Keep the printer level while moving it. See page 170 for information about setting up the printer after transporting it.

To ship the printer a longer distance, you should repack it using the original box and packing materials. If you don't have the original packaging, you can purchase replacement packaging from Epson. See page 12 for more information.

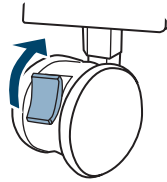
Caution: Do not roll the printer on angled or uneven surfaces.

Moving the Printer on the Stand

When you need to move the printer a short distance, such as within the same building, you can roll the printer on its casters.

1. Make sure the printer is turned off and the carriage is in the home position (on the far right). If not, turn the printer back on, wait until the carriage moves to the home position, then turn off the printer.
2. Disconnect the power cord and interface cable.
3. Remove any paper and close the roll paper cover. Make sure the front cover is closed.
4. Store the paper basket as described on page 80.

5. Release the front casters.



6. Carefully roll the printer to its new location, then lock the casters.

Setting Up the Printer After Transportation

Setting up the printer after transporting it is almost identical to setting it up for the first time.

Keep in mind that the first time you start printing after moving the printer, the print head nozzles may be clogged—especially if the printer hasn't been turned on for a long time. You may need to run a cleaning cycle (page 148) and realign the print head (page 152) to ensure good print quality.

Chapter 7: Solving Problems

As you use your printer, you may occasionally experience a problem. You can diagnose the problem following the guidelines in this chapter or check the FAQs at www.proimaging.epson.com. Then try the most likely solutions until the problem is fixed.

This chapter provides instructions for the following:

- Diagnosing problems
- Checking error messages and lights
- Improving print quality
- Solving operational problems
- Solving miscellaneous printing problems
- Solving paper problems, including clearing paper jams
- Solving problems with the optional Auto Take-Up Reel
- Uninstalling and reinstalling the printer driver

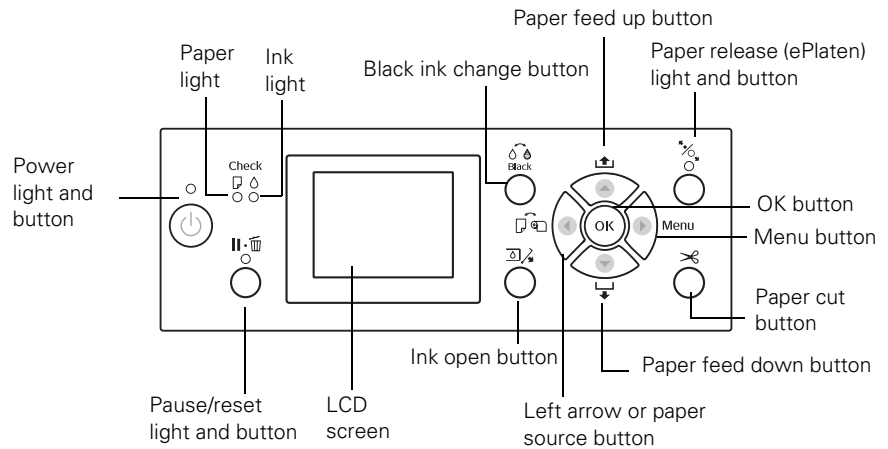
Diagnosing Problems

The printer includes a number of ways to help you diagnose problems:

- To identify the most common problems, check the messages and lights on the control panel. See pages 172 through 177 for more information.
- If you're using the Epson printer driver and Status Monitor utility, check your software for error messages. See page 147 for more information.
- To determine whether the problem is caused by the printer itself, print a status sheet from the control panel. See page 145 for instructions.
- Review the FAQs at www.proimaging.epson.com for possible solutions.
- If none of the suggested solutions in this chapter solve your problem, contact Epson as described under "Where To Get Help" on page 13.

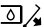

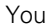
Checking Error Messages and Lights

The control panel includes various lights and an LCD screen to indicate the status of the printer:


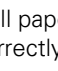
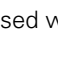
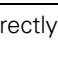
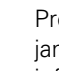
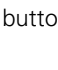
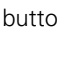
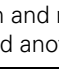
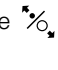
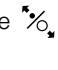






When your paper runs out, ink is low, or a problem occurs, a message appears on the LCD screen, and the lights on the control panel come on or flash. The following table lists the messages in alphabetical order and includes an explanation and instructions for correcting the problem.

Message	Explanation	Response
BORDERLESS ERROR LOAD A SUPPORTED PAPER SIZE OR LOAD PAPER CORRECTLY	The borderless setting is selected and paper that doesn't support borderless printing is loaded.	Press to cancel the print job. Change the setting in the printer driver or load different paper.
	The sheet size is not recognized.	Make sure the paper is flat.
	Paper is not loaded correctly.	Make sure paper is loaded correctly.
BLACK INK MISMATCH	The black ink setting on the printer and in the driver do not match.	Cancel the print job or press the button to change the black ink setting on the printer.
CALL FOR SERVICE	An error has occurred. The number 3000 indicates that the power cord is not connected correctly.	Note the error number, then turn the printer off. Then check the power cord connection at both ends and turn it back on. If the message remains after restarting the printer several times, contact Epson as described on page 13.

Message	Explanation	Response
CANNOT OPEN INK COVER	Something is obstructing the indicated ink cover	Remove the obstruction and press the  button again.
CLEANING ERROR AUTOMATIC HEAD CLEANING FAILED RETRY? YES NO	Head cleaning did not clear the nozzles.	Press  to clear the error and run the head cleaning utility again. If cleaning doesn't start, cancel printing from the computer. Then turn the printer off and back on again.
CLEANING ERROR NOT ENOUGH INK OR SPACE IN MAINT TANK. CONTINUE CLEANING? YES (RECOMMENDED) NO	Not enough ink or not enough maintenance tank capacity for head cleaning.	Select Yes and replace the cartridge (see page 153) or maintenance tank (see page 163).
COMMAND ERROR CHECK DRIVER SETTINGS	You may be using the wrong printer driver. Damaged data was sent to the printer or the data has an incorrect command.	Press the  Pause/reset button to cancel the print job and reset the printer. Make sure you installed the correct driver for your printer.
CUTTER UNIT NEARING END OF SERVICE LIFE. RECOMMEND REPLACING THE CUTTER UNIT	The paper cutter may be dull.	Replace the paper cutter; see page 159.
FRONT COVER OPEN CLOSE COVER	Front cover is open.	Close the front cover.
F/W INSTALL ERROR UPDATE FAILED RESTART THE PRINTER	Firmware update failed.	Restart the printer, then update the firmware again; see page 52.
INK CARTRIDGE INK LOW REPLACE INK CARTRIDGE	The ink cartridge is expended.	Replace the ink cartridge; see page 153.
INK CARTRIDGE NON-GENUINE CARTRIDGE! QUALITY OF NON-GENUINE INK MAY VARY.	A non-genuine ink cartridge is installed.	Select DECLINE and replace the ink cartridge with a genuine Epson ink cartridge; see page 153.
INK CARTRIDGE PLEASE USE GENUINE EPSON INK CARTRIDGES	A non-genuine ink cartridge is installed.	Replace the ink cartridge with a genuine Epson ink cartridge; see page 153.

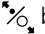
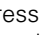
Message	Explanation	Response
INK CARTRIDGE ERROR REPLACE CARTRIDGE	Ink cartridge(s) may have a bad contact or condensation.	Remove and reinstall the ink cartridge; if the error remains, replace the cartridge. See page 153.
INK CARTRIDGE ERROR PLEASE INSTALL THE CORRECT CARTRIDGES	You tried to install an ink cartridge that cannot be used with this printer.	If you are replacing ink cartridges, check the package and product code. Replace the ink cartridge with a genuine Epson ink cartridge.
INK COVER OPEN CLOSE INK COVER	The ink cover or covers are open.	Close the cover(s).
INK LOW	Ink cartridge(s) are nearly expended (printing continues).	Make sure you have replacement cartridges available; see page 153. Print quality may decline when ink is low.
INK TOO LOW TO CLEAN REPLACE INK CARTRIDGE	Not enough ink for head cleaning.	Replace the cartridge(s) before cleaning; see page 153.
INK TOO LOW TO CLEAN THE CARTRIDGE BEING USED CAN BE INSTALLED AGAIN FOR PRINTING	Not enough ink for head cleaning, but enough for printing.	Replace the cartridge(s) before cleaning; see page 153. After cleaning is finished, you can re-use the low ink cartridge.
MAINTENANCE REQUEST	A printer part may need to be replaced soon.	Note the code number and contact Epson as described on page 13.
MAINTENANCE TANK NEARLY FULL	The maintenance tank is almost full.	Make sure you have a replacement maintenance tank. For the Pro 9890, note which tank is nearly full; see page 163.
MAINTENANCE TANK ERROR REPLACE THE MAINTENANCE TANK	The maintenance tank may be incorrectly installed.	Reinstall the maintenance tank. If the error remains, replace the maintenance tank. For the Pro 9890, note which tank needs replacement; see page 163.
MAINTENANCE TANK FULL REPLACE THE MAINTENANCE TANK	The maintenance tank is full.	Replace the maintenance tank. For the Pro 9890, note which tank is full; see page 163.
NO CARTRIDGE INSTALL INK CARTRIDGE	Ink cartridge(s) not installed, or an incorrect cartridge is installed.	Install ink cartridge(s); see page 153. Do not reinstall the incorrect cartridge.
NO MAINTENANCE TANK INSTALL THE MAINTENANCE TANK	Maintenance tank is not installed.	Make sure the maintenance tank is fully inserted. For the Pro 9890, note which tank is missing; see page 163.

Message	Explanation	Response
NOT ENOUGH EMPTY SPACE REPLACE THE RIGHT SIDE MAINTENANCE TANK	The maintenance tank is too full for head cleaning.	Replace the maintenance tank; see page 163.
NOZZLE CHECK ERROR PRESS THE  BUTTON	Auto cleaning cannot be performed.	Press the button to clear the error, then try cleaning again. If necessary, cancel cleaning from the computer, then restart the printer.
NOZZLE CLOG DETECTED NOT ENOUGH INK OR SPACE IN MAINT TANK	Not enough ink or maintenance tank capacity for head cleaning.	Select YES , then follow the instructions to replace the ink cartridge or maintenance tank.
PAPER CUT ERROR REMOVE UNCUT PAPER	Roll paper was not cut correctly. The cutter may be blunt or incorrectly installed.	Press the  button and open the front cover. Remove the uncut paper. Reinstall or replace the cutter if necessary; see page 159.
PAPER EJECT ERROR REMOVE PAPER FROM PRINTER	Roll paper is used with the cut sheet setting.	Press the  button and remove the paper.
PAPER ERROR LOAD PAPER CORRECTLY	Paper is not loaded correctly.	Press the  button, then reload paper correctly.
PAPER JAM REMOVE PAPER	Paper has jammed in the printer.	Press the  button and remove the jammed paper; see page 185 for more information.
PAPER LOW	The paper roll is almost finished.	Replace the roll.
PAPER OUT LOAD PAPER	No paper is loaded. The  button has been pressed with no paper loaded. Paper ran out during printing.	Load paper. Press the  button, then load paper. Press the  button and remove the roll paper core. Then load another roll.
PAPER RELEASED LOAD PAPER	The  button has been pressed.	Load paper, then press the  button.
PAPER SENSOR ERROR PRESS THE  BUTTON LOAD DIFFERENT PAPER	The paper is not detected.	Press the  button to clear the error, then select the right paper.

Message	Explanation	Response
PAPER SETTING ERROR CHECK THE PAPER SOURCE IN THE DRIVER SETTINGS AND LOAD PAPER CORRECTLY	The paper source selected in the printer driver and the control panel do not match.	Check the Paper Source settings and make sure the paper is loaded correctly.
PAPER SIZE ERROR LOAD CORRECT PAPER SIZE	The loaded paper size does not match the size of the image.	Make sure the paper size matches the size of the image.
PAPER SKEW LOAD PAPER PROPERLY	Paper is not loaded straight.	Press the  button and make sure the paper is loaded straight.
PRINTER ERROR RESTART THE PRINTER	You tried to print while an error condition was present.	Press the  Power button to turn off the printer, then turn it back on.

Auto Take-Up Reel Error Messages

If you have the optional Automatic Take-Up Reel System, check the following list for error messages that might appear:

Message	Explanation	Response
TAKE-UP DISCONNECTED SET AUTO TAKE-UP REEL SYSTEM IN PRINTER AND RESTART THE PRINTER	The Auto Take-up Reel is not installed correctly.	Turn the printer off, then install the Auto Take-up Reel correctly. See page 199.
TAKE-UP DISCONNECTED DO YOU CONTINUE?	The Auto Take-up Reel is not installed correctly.	Select YES to continue printing without using the Auto Take Up Reel. Or, select NO , turn the printer off, then connect the Auto Take-up Reel (see page 199) and restart the printer.
TAKE-UP ERROR CHECK THE STATUS OF AUTO TAKE-UP REEL UNIT AND RESTART THE PRINTER	Paper is not loaded on the reel correctly.	Press the  button and load the paper correctly; see page 200.
TAKE-UP ERROR IS ANYTHING OBSTRUCTING THE TAKE-UP REEL SENSOR SYSTEM?	The Auto Take-up Reel is not winding paper.	Make sure nothing is obstructing the sensor. Press the  button and load the paper correctly; see page 200.

Improving Print Quality

You can often improve print quality by doing the following:

- Run a nozzle check and cleaning cycle. See page 148 for instructions.
- Align the print head. See page 152 for instructions.
- When you send a print job, make sure your print options are set correctly. For more information, see page 85 (Mac OS X) or page 107 (Windows).

If none of these suggestions help, try the solutions in the following table.

Problem	Solution
Your print has horizontal banding.	<ul style="list-style-type: none"> • Check the ink indicators and light to see if you are low on ink. (If you replace ink cartridges with the printer turned off, the ink indicators will not be accurate.) Replace ink cartridges if necessary, as described on page 153. • Run a nozzle check and cleaning cycle. See page 148 for instructions. • Turn off the High Speed setting. • Make sure the Media Type setting in the printer software is correct. • If you're using cut sheet media, make sure the printable side is face up. • Choose a higher resolution, such as SuperPhoto - 2880x1440dpi. • If you're using a third-party RIP and non-Epson media, see if the RIP provides a method for adjusting the paper feed. <hr/> <p>Try adjusting your advanced media control settings (page 94 for Mac OS X) or paper configuration settings (page 126 for Windows). Check these settings:</p> <ul style="list-style-type: none"> • Make sure the Paper Thickness setting is correct for your paper. • Use the Paper Feed Adjustment to tune out banding. Reduce the value for white lines, and increase it for overlapping dark lines. • If you've created a custom paper configuration, be sure to return the setting to standard (STD) when you're done using it. See page 83.
Your print has vertical banding.	<ul style="list-style-type: none"> • Turn off the High Speed setting. • Align the print head; see page 152.

Problem	Solution
Your print is grainy, or has misregistration or ghosting.	<ul style="list-style-type: none"> ▶ Check the ink indicators and light to see if you are low on ink. (If you replace ink cartridges with the printer turned off, the ink indicators will not be accurate.) Replace ink cartridges if necessary, as described on page 153. ▶ Run a nozzle check and cleaning cycle. See page 148 for instructions. ▶ Align the print head, as described on page 152. ▶ Make sure the Media Type setting in the printer software is correct. ▶ If you're using cut sheet media, make sure the printable side is face-up. ▶ Choose a higher resolution, such as 2880 dpi. ▶ Turn off the High Speed setting. <hr/> <p>You may need to adjust your advanced media control settings (page 94 for Mac OS X) or paper configuration settings (page 126 for Windows). Check these settings:</p> <ul style="list-style-type: none"> ▶ Make sure Paper Thickness setting is correct for your paper. ▶ If you've created a custom paper configuration, be sure to return the setting to standard (STD) when you're done using it. See page 83.
Colors are incorrect or missing.	<ul style="list-style-type: none"> ▶ Make sure the Media Type setting in the printer software is correct. ▶ If you are using the color management features in Photoshop or another application, you must turn off color management in the printer driver. See page 93 (Mac OS X) or page 114 (Windows). ▶ Adjust the Color Density setting in the Paper Configuration utility. ▶ If you're using a third-party RIP or non-Epson media, custom color profiles will give you the best color reproduction. ▶ If you're using cut sheet media, make sure the printable side is face-up. ▶ Run a nozzle check and cleaning cycle; see page 148. ▶ Check the expiration date printed on each of the ink cartridges. If the cartridge is too old, replace it as described on page 153. ▶ Check the ink indicators and light, and replace ink cartridges if your ink supply is low, as described on page 153. (If you replace ink cartridges with the printer turned off, the ink indicators will not be accurate.) ▶ Make sure color settings in your application or printer software are correct.

Problem	Solution
<p>Your print has gaps or appears faint.</p>	<ul style="list-style-type: none"> ▶ Check the expiration date printed on each of the ink cartridges. If the cartridge is too old, replace it as described on page 153. ▶ Make sure the Media Type setting in the printer software is correct. ▶ Run a nozzle check and cleaning cycle (see page 148). ▶ Check the ink indicators and light and replace ink cartridges if your ink supply is low, as described on page 153. (If you replace ink cartridges with the printer turned off, the ink indicators will not be accurate.) ▶ The paper thickness setting is not correct for your paper. Use your printer software (page 94 for Mac OS X or page 126 for Windows) to choose the correct setting. When you're done printing with a custom paper configuration, be sure to return the setting to standard (STD). ▶ The PLATEN GAP setting is too wide. Use the menu system to change the setting to STANDARD, or to NARROW if printing on very thin paper. See page 75 for instructions.
<p>Your print appears blurry or smeared.</p>	<ul style="list-style-type: none"> ▶ Make sure the Media Type setting in the printer software is correct. ▶ If you're printing on non-Epson media, you may need to adjust the paper thickness setting, drying time, or color density. Use your printer software (page 94 for Mac OS X or page 126 for Windows) to choose the correct setting. When you're done printing with a custom paper configuration, be sure to return the setting to standard (STD). ▶ Your paper doesn't meet the required specifications or wasn't stored in a dry, humidity-free environment. Load new paper. ▶ If you're using cut sheet media, make sure the printable side is face-up. ▶ Ink has leaked into the paper path. Wipe the paper path area of the printer with a soft, clean cloth. See page 165 for cleaning instructions. ▶ Turn off the High Speed setting. ▶ The PLATEN GAP setting is too narrow. Use the control panel to change the setting to WIDE, WIDER, or WIDEST. See page 75 for instructions. ▶ Run a nozzle check and cleaning cycle (see page 148). ▶ You may need to uninstall and reinstall the printer driver (see page 187). ▶ If ink is smeared on the back of your print, make sure PAPER SIZE CHECK is ON in the control panel menu. This prevents printing beyond the edge of the paper and soiling the inside of the printer.


Problem	Solution
The bottom edge of your print is smeared.	<ul style="list-style-type: none"> ▶ The paper is curled toward the printable side. Flatten the paper or curl it toward the other side. ▶ Make sure the Media Type setting in your printer software is correct. ▶ If you're printing on non-Epson media, you may need to adjust the paper thickness setting or drying time. Use your printer software (page 94 for Mac OS X or page 126 for Windows) to choose the correct setting. When you're done printing with a custom paper configuration, be sure to return the setting to standard (STD). ▶ If printing on thick paper, the PLATEN GAP setting may be incorrect. Use the control panel to change the setting to WIDE, WIDER, or WIDEST. See page 75 for instructions.


Solving Operational Problems

If you can't turn the printer on, if it stops printing unexpectedly, or if nothing prints, check the following:

- Paper is loaded correctly.
- The printer is plugged securely into a working electrical outlet that's not controlled by a switch or timer.
- The interface cable is securely connected to the printer and your system.
- The voltage supplied by the electrical outlet matches the voltage on the printer's rating label. If not, turn off the power and unplug the power cord immediately. Contact Epson for assistance; see page 13 for details.

If none of these suggestions help, try the solutions below.



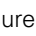
Problem	Solution
The printer stops printing unexpectedly.	<ul style="list-style-type: none"> ▶ If the  Pause/reset light is flashing, the printer is performing a maintenance procedure or waiting for ink to dry. Check the display message and lights on the control panel. Wait until the light stops flashing. ▶ Check the display message and lights on the control panel to see if an error has occurred. Follow the instructions for the messages beginning on page 172.
The printer sounds as if it's printing, but nothing prints.	<ul style="list-style-type: none"> ▶ Follow the instructions beginning on page 148 to clean the print head. ▶ Communication between the computer and printer may have been momentarily interrupted. Try restarting the computer and printing again.

Problem	Solution
Nothing prints.	<ul style="list-style-type: none"> ▶ Turn off the printer and computer. Make sure the interface cable is securely plugged in. Then restart the printer and computer. ▶ Make sure the interface cable meets the requirements; see page 13 or 14. ▶ The printer port setting doesn't match the printer connection port (Windows). <ul style="list-style-type: none"> Windows 8.x: Navigate to the Apps or All Apps screen. Select Control Panel > Hardware and Sound > Devices and Printers. Right-click the icon for your printer, then select Properties or Printer Properties. Click the Ports tab and make sure your printer port is selected. Windows 7 and Windows Vista: Click  > Control Panel > Hardware and Sound > Printers. Right-click the icon for your printer, then select Properties. Click the Ports tab and make sure your printer port is selected. Windows XP: Click Start > Settings > Control Panel > Printers and Faxes. Right-click the icon for your printer, then select Properties. Click the Ports tab and make sure your printer port is selected. ▶ Download and install the latest driver for Mac OS X or Windows from the Epson website at www.proimaging.epson.com.

Solving Miscellaneous Printing Problems

If your printouts are not what you expected, try the suggestions below:

Problem	Solution
Your print has incorrect or garbled characters.	<ul style="list-style-type: none"> ▶ Make sure your software is installed correctly and the printer is selected. ▶ Clear any stalled print jobs. ▶ Turn off the printer and computer. Make sure the interface cable is securely plugged in at both ends.
Your print has incorrect margins.	<ul style="list-style-type: none"> ▶ Check the page size or paper size settings in your application. Make sure they are within the printer's printable area. ▶ Make sure the Paper Size and Borderless settings in your printer software are correct for the paper you're using. ▶ Paper is loaded incorrectly. Follow the instructions beginning on page 55 to reload the paper. Make sure PAPER SKEW CHECK is ON in the control panel menu. ▶ The ROLL PAPER MARGIN setting on the PRINTER SETUP menu is incorrect. See page 213 for more information.

Problem	Solution
Your image is inverted.	<ul style="list-style-type: none"> ▶ Turn off the Mirror Image setting in your printer software. See page 92 (Mac OS X) or page 122 (Windows) for instructions.
Blank paper is printed.	<ul style="list-style-type: none"> ▶ Make sure your software is installed correctly and the printer is selected. ▶ Make sure the Paper Size setting in your printer software is correct for the paper you're using. ▶ Make sure the Paper Source setting in your printer software is correct.
A ruled line on your print appears to shift.	<ul style="list-style-type: none"> ▶ Align the print head as described on page 152. ▶ Run a nozzle check and cleaning cycle; see page 148.
Color images print in black only.	<ul style="list-style-type: none"> ▶ Make sure the Color setting is correct in your printer software.
The printer continues to feed paper after you have cancelled a job.	<ul style="list-style-type: none"> ▶ Press the  Pause/reset button on the printer to clear any print job data in the printer's buffer and reset the printer. ▶ Make sure the paper source is set correctly.
Roll paper cannot be cut.	<ul style="list-style-type: none"> ▶ The paper cutter may be dull. Follow the instructions on page 159 to replace the cutter. ▶ Make sure  appears on the LCD screen. If not, press the  Paper Source button to select this setting. Also check the Auto Cut settings in your printer software.
Printing is too slow.	<ul style="list-style-type: none"> ▶ Turn on the High Speed setting. ▶ Choose a lower resolution in your printer software for faster printing. ▶ Clear space on your hard drive or run a defragmentation utility. ▶ Don't run too many applications at the same time. ▶ Turn off virtual memory. ▶ Add RAM to your system. ▶ Try printing when there is less traffic on the network, or move the printer to a different network segment.

Solving Paper Problems

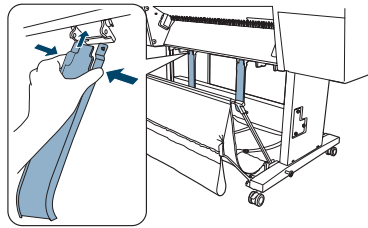
If paper feed or paper jam problems occur frequently, try one or more of the following solutions:

- For roll paper, try adjusting the Paper Suction setting. See page 81 for more information. You can also adjust this setting through your printer driver.
- For heavy or thick media, follow the instructions on page 74 to load the media correctly.
- Make sure the paper is not folded, wrinkled, or damp.
- Make sure the printer's environment falls within the required temperature and humidity range.
- Make sure the paper is not too thick or too thin. See page 55, page 191, and page 194 for paper specifications.
- Make sure no foreign objects are inside the paper path.
- Make sure the printer isn't located in a brightly lit area. The paper sensors may not operate correctly.
- Make sure the **Media Type** and **Paper Source** settings in the printer software are correct.
- Make sure the **PLATEN GAP** setting is correct for the paper or media you're printing on. See page 75 for more information.
- If you're not using Epson media, use a paper configuration to adjust for the paper's thickness and drying time; see page 94 (for Mac OS X) or page 125 (for Windows).

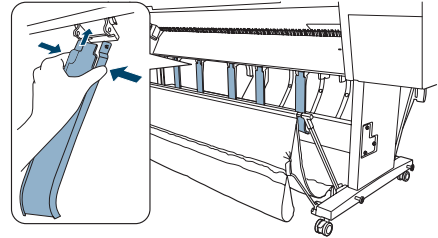
Fixing Paper Eject Problems

If the paper is curled too tightly to eject properly, make sure the paper guides are attached to the printer. There are two paper guides for the Epson Stylus Pro 7890 and five for the Pro 9890.

Attach the guides to the bottom of the printer as shown:



Epson Stylus Pro 7890

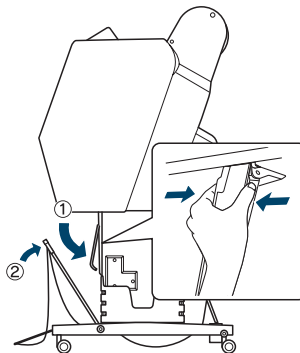
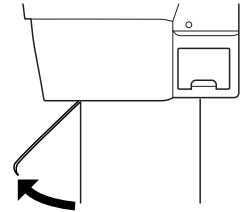


Epson Stylus Pro 9890

Do one of the following:

Note: If banding appears on your print, leave the paper guides in the forward position.

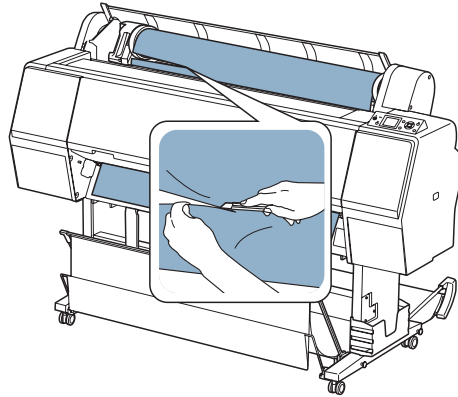
- If you are feeding paper in front of the printer, move the guides to the forward position.
- If you are feeding paper backward (under the printer), gently squeeze the paper guides and push them to the backward position, as shown below:



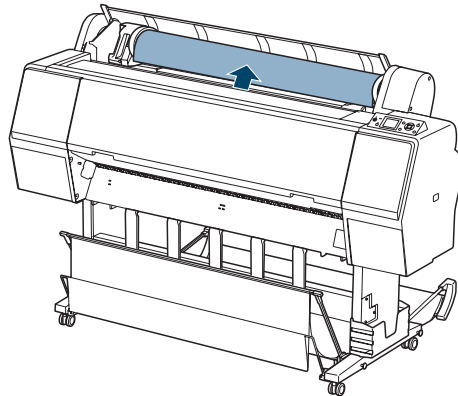
Clearing Paper Jams

When roll paper gets jammed in the printer, printing stops and you see a PAPER JAM message on the LCD screen. Follow these steps to clear a paper jam:

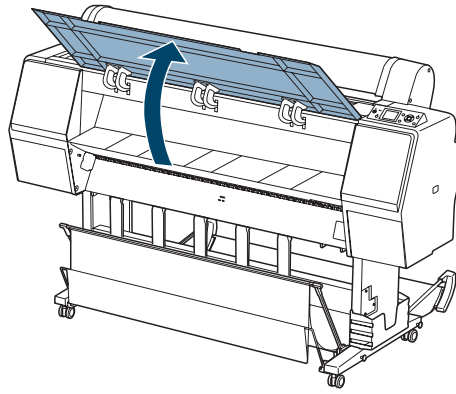
1. Cut the paper at the paper insertion slot.



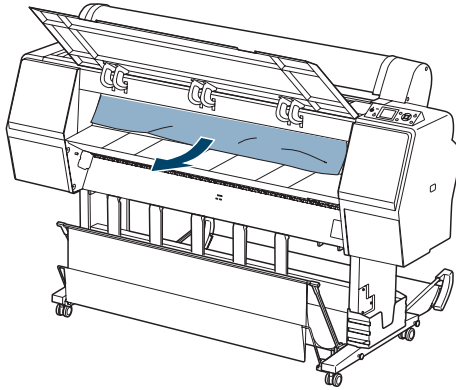
2. Press the $\frac{\%}{\%}$ button to release the paper.
3. Rewind the paper.




4. Open the front cover if necessary.



5. Carefully pull down the jammed paper.



Caution: To avoid damaging the printer, do not touch the cables around the print head or the roller, ink absorption pad, or ink tubes.

6. Close the front cover, if necessary. Press the  Power button to turn the printer off and then back on.

Solving Problems With the Optional Auto Take-Up Reel

If you have problems using the optional Auto Take-Up Reel, try these solutions:

- Make sure you turned the printer off and then on again after installing the Auto Take-Up Reel, and that the cable is securely connected to both the printer and Auto Take-Up Reel.
- Make sure the **Auto** switch is set for the direction in which you loaded the paper to be taken up. See page 203 for details.
- Make sure you pressed the printer's ◀ Paper Source button to select ☐ (Auto Cut Off).
- If the **Sensor** light flashes slowly when you are not printing, the sensor may be misaligned or there may be an obstacle in the sensor's beam. Make sure nothing is impeding the sensor's beam.
- If the **Sensor** light is off, the Auto Take-Up Reel may be turned off or the sensor cables may be disconnected. See the installation instructions included with the Auto Take-Up Reel.

Tip: Check the Epson Pro Imaging website at www.proimaging.epson.com for updated drivers and utilities that may become available.

Uninstalling and Reinstalling the Printer Driver

If you need to uninstall and then reinstall the printer driver software for any reason, follow the instructions in the appropriate section below.

Mac OS X

1. Select **System Preferences**, then select **Print & Fax**.
2. Select your printer, then click the – button.
3. If you want to reinstall your printer software, restart your Macintosh. Then follow the instructions on page 49 to install the software.

Windows

1. Do one of the following:

Windows 8.x: Navigate to the Apps or All Apps screen. Select Control Panel > Programs > Programs and Features. Select the uninstall option for your Epson product, then select Uninstall.

Windows 7 and Windows Vista: Click  > Control Panel > Uninstall a program. Select EPSON Printer Software in the program list. Select your printer icon and click OK. Follow the on-screen instructions to uninstall your software.

Windows XP: Click Start > Control Panel > Add or Remove Programs. Select EPSON Printer Software in the program list and click Change/Remove. Select your printer icon and click OK. Follow the on-screen instructions to uninstall your software.

2. If you want to reinstall your printer software, restart your computer. Then follow the instructions on page 50 to install the software.

Note: If you see a User Account Control window at any time, click Yes or Continue.

Appendix A: Specifications

Clearing Stored Print Information

Your Epson printer stores various print information for the last 10 jobs printed, such as print job name, computer name, date, time, number of prints, etc.

If you wish to clear this information (for example, before selling your Epson printer to another party), you may do so by running the printer's nozzle check pattern 10 times. See "Running the Nozzle Check and Head Cleaning Utilities" on page 148.

Environmental

	Operation	Storage
Temperature	50 to 95 °F (10 to 35 °C)	-4 to 104 °F (-20 to 40 °C)
	Print quality guarantee: 59 to 77 °F (15 to 25 °C)	
Humidity (without condensation)	20 to 80% RH Print quality guarantee: 40 to 60%	5 to 85% RH (stored in shipping container)

Electrical

Specification	Description
Input voltage range	90 V to 264 V
Rated frequency range	50 to 60 Hz
Input frequency range	49.5 to 60.5 Hz
Rated current	1.0 A at 120 V 0.5 A at 220 V
Power consumption	Epson Stylus Pro 7890: Approx. 70 W Approx. 16 W in low-power mode Approx. 1 W or less in power off mode Epson Stylus Pro 9890: Approx. 80 W Approx. 16 W in low-power mode Approx. 1 W or less in power off mode

Check the label on the back of your printer for voltage information.

Dimensions and Weight

Specification	Epson Stylus Pro 7890	Epson Stylus Pro 9890
Height	48 inches (1218 mm)	48 inches (1218 mm)
Width	53.4 inches (1356 mm)	73.4 inches (1864 mm)
Depth	26.26 inches (667 mm)	26.26 inches (667 mm)
Weight (without consumables)	222 lb (100.9 kg) printer, stand, and paper basket	298 lb (135.1 kg) printer, stand, and paper basket

Printer Interfaces

- USB (1.1 and 2.0 compatible)
- Ethernet 10/100 BaseT

Safety Approvals

Safety standards	UL 60950-1 CSA 22.2 No. 60950-1
EMC	FCC part 15 subpart B, class B CAN/CSA-CEI/IEC CISPR 22 Class B

Note: Since the quality of any particular brand or type of paper may be changed by the manufacturer at any time, Epson cannot attest to the quality of any non-Epson brand or type of paper. Always test samples of paper stock before purchasing large quantities or printing large jobs.

Media

Roll Paper

Maximum roll width	Epson Stylus Pro 7890: 24 inches (610 mm) Epson Stylus Pro 9890: 44 inches (1118 mm)
Maximum roll length	Up to 147.6 feet for 2-inch cored media Up to 662.7 feet for 3-inch cored media
Weight range	17 to 24 lb (64 to 90 g/sm)
Paper thickness	3.15 to 19.7 mil (0.08 to 0.5 mm)
Roll paper compatibility	Handles both 2- and 3-inch cored media
Maximum roll paper diameter	2-inch core: 4 inches (103 mm) 3-inch core: 6 inches (150 mm)

Epson Roll Paper Information and ICC Profiles

Paper name	Thickness	Borderless printing recommended	Core diameter	ICC profile*
Premium Glossy Photo Paper (250)	10 mil (0.27 mm)	Yes	3 inch	Pro9890_9908_7890_7908_PremiumGlossyPhotoPaper250_PK.icc
Premium Semigloss Photo Paper (250)	10 mil (0.27 mm)	Yes	3 inch	Pro9890_9908_7890_7908_PremiumSemiglossPhotoPaper250_PK.icc
Premium Luster Photo Paper (260)	10 mil (0.27 mm)	Yes	3 inch	Pro9890_9908_7890_7908_PremiumLusterPhotoPaper260_PK.icc
Premium Semimatte Photo Paper (260)	10 mil (0.27 mm)	Yes	3 inch	Pro9890_9908_7890_7908_PremiumSemimattePhotoPaper260_PK.icc
Premium Glossy Photo Paper (170)	7 mil (0.18 mm)	Yes	2 inch	Pro9890_9908_7890_7908_PremiumGlossyPhotoPaper170_PK.icc
Premium Semigloss Photo Paper (170)	7 mil (0.18 mm)	Yes	2 inch	Pro9890_9908_7890_7908_PremiumSemiglossPhotoPaper170_PK.icc
Enhanced Matte Paper	10 mil (0.25 mm)	No	3 inch	Pro9890_9908_7890_7908_EnhancedMattePaper_PK.icc Pro9890_9908_7890_7908_EnhancedMattePaper_MK.icc
Doubleweight Matte Paper	10 mil (0.27 mm)	Yes	2 inch	Pro9890_9908_7890_7908_DoubleweightMattePaper_MK.icc
Singleweight Matte Paper	5.5 mil. (0.14 mm)	Yes	2 inch	Pro9890_9908_7890_7908_SingleweightMattePaper_MK.icc
Proofing Paper Commercial	8 mil (0.20 mm)	No	3 inch	Pro9890_9908_7890_7908_EpsonProofingPaperCommercial_PK.icc
Proofing Paper White Semimatte	10 mil (0.25 mm)	No	3 inch	Pro9890_9908_7890_7908_EpsonProofingPaperWhiteSemimatte_PK.icc
Proofing Paper Publication	8 mil (0.20 mm)	No	3 inch	Pro9890_9908_7890_7908_EpsonProofingPaperPublication_PK.icc
Textured Fine Art Paper	14.5 mil (0.37 mm)	No	3 inch	Pro9890_9908_7890_7908_TexturedFineArtPaper_PK.icc Pro9890_9908_7890_7908_TexturedFineArtPaper_MK.icc
UltraSmooth Fine Art Paper	12.5 mil (0.32 mm)	No	3 inch	Pro9890_9908_7890_7908_UltraSmoothFineArtPaper_PK.icc Pro9890_9908_7890_7908_UltraSmoothFineArtPaper_MK.icc

Paper name	Thickness	Borderless printing recommended	Core diameter	ICC profile*
Watercolor Paper - Radiant White	11 mil (0.29 mm)	No	3 inch	Pro9890_9908_7890_7908_Watercolor PaperRadiantWhite_PK.icc Pro9890_9908_7890_7908_Watercolor PaperRadiantWhite_MK.icc
Enhanced Synthetic Paper	5 mil (0.12 mm)	No	2 inch	Pro9890_9908_7890_7908_Enhanced SyntheticPaper_MK.icc
Enhanced Adhesive Synthetic Paper	7 mil (0.17 mm)	No	2 inch	Pro9890_9908_7890_7908_Enhanced AdhesiveSyntheticPaper_MK.icc
Canvas	18 mil (0.46 mm)	No	2 inch	Pro9890_9908_7890_7908_Canvas_PK.icc Pro9890_9908_7890_7908_Canvas_MK.icc

* Profiles ending with PK are for use with Photo Black ink; those with MK are for use with Matte Black ink.

Cut Sheets

Weight range

17 lb (64 g/m²) bond up to posterboard

Epson Cut Sheet Paper Sizes

Size group	Size name	Measurements
A Series	A4	8.3 × 11.7 inches (210 × 297 mm)
	A3	11.7 × 16.5 inches (297 × 420 mm)
	Super A3/B	13 × 19 inches (329 × 483 mm)
	A2	16.5 × 23.4 inches (420 × 594 mm)
	A1	23.4 × 33.1 inches (594 × 841 mm)
	Super A1	24 × 36 inches (610 × 910 mm)
	A0*	33.1 × 44 inches (841 × 1189 mm)
	Super A0*	36 × 50.9 inches (914 × 1292 mm)
	US-ANSI	Letter
US B		11 × 17 inches (279 × 430 mm)
US C		17 × 22 inches (430 × 559 mm)
US D		22 × 34 inches (559 × 864 mm)
US E*		34 × 44 inches (864 × 1120 mm)

Size group	Size name	Measurements
US-ARCH	ARCH A	9 × 12 inches (229 × 305 mm)
	ARCH B	12 × 18 inches (305 × 457 mm)
	ARCH C	18 × 24 inches (457 × 610 mm)
	ARCH D	24 × 36 inches (610 × 910 mm)
	ARCH E*	36 × 48 inches (910 × 1219 mm)
B Series	B5	7.2 × 10.1 inches (182 × 257 mm)
	B4	10.1 × 14.2 inches (257 × 364 mm)
	B3	14.2 × 20.3 inches (364 × 515 mm)
	B2	20.3 × 28.7 inches (515 × 728 mm)
	B1*	28.7 × 40.5 inches (728 × 1030 mm)
	B1 Landscape*	40.5 × 28.7 inches (1030 × 728 mm)
	B0	40.5 × 57.3 inches (1030 × 1456 mm)
	Super B0*	44 × 62.2 inches (1118 × 1580 mm)
Photo Series	—	8 × 10 inches (203 × 254 mm)
	—	10 × 12 inches (254 × 305 mm)
	—	11 × 14 inches (279 × 356 mm)
	—	12 × 12 inches (305 × 305 mm)
	—	16 × 20 inches (406 × 508 mm)

Size group	Size name	Measurements
Others	—	24 × 30 inches (610 × 762 mm)
	—	30 × 40 inches* (762 × 1016 mm)
	—	36 × 44 inches* (914 × 1118 mm)
	—	11.8 × 15.7 inches (30 × 40 cm)
	—	15.7 × 23.6 inches (40 × 60 cm)
	—	23.6 × 35.4 inches (60 × 90 cm)

* Epson Stylus Pro 9890 only

Note: Borderless printing on these papers is recommended on the right and left sides only.

Epson Cut Sheet Paper Information and ICC Profiles

Paper name	Thickness	ICC profile*
Premium Photo Paper Semi-gloss	10 mil (0.27 mm)	Pro9890_9908_7890_7908_PremiumSemiglossPhotoPaper_PK.icc
Premium Photo Paper Glossy	10 mil (0.27 mm)	Pro9890_9908_7890_7908_PremiumGlossyPhotoPaper_PK.icc
Ultra Premium Photo Paper Luster	10 mil (0.27 mm)	Pro9890_9908_7890_7908_PremiumLusterPhotoPaper_PK.icc
Ultra Premium Presentation Paper Matte	10 mil (0.26 mm)	Pro9890_9908_7890_7908_ArchivalMattePaper_PK.icc Pro9890_9908_7890_7908_ArchivalMattePaper_MK.icc
Watercolor Paper Radiant White	11 mil (0.29 mm)	Pro9890_9908_7890_7908_WatercolorPaperRadiantWhite_PK.icc Pro9890_9908_7890_7908_WatercolorPaperRadiantWhite_MK.icc
Proofing Paper White Semimatte	10 mil (0.25 mm)	Pro9890_9908_7890_7908_EpsonProofingPaperWhiteSemimatte_PK.icc
Singleweight Matte Paper	5.5 mil (0.14 mm)	Pro9890_9908_7890_7908_SingleweightMattePaper_MK.icc
Presentation Paper Matte	5 mil (0.12 mm)	Pro9890_9908_7890_7908_PhotoQualityInkJetPaper_MK.icc
UltraSmooth Fine Art Paper	18 mil (0.46 mm)	Pro9890_9908_7890_7908_UltraSmoothFineArtPaper_PK.icc Pro9890_9908_7890_7908_UltraSmoothFineArtPaper_MK.icc
Velvet Fine Art Paper	19 mil (0.48 mm)	Pro9890_9908_7890_7908_VelvetFineArtPaper_PK.icc Pro9890_9908_7890_7908_VelvetFineArtPaper_MK.icc
Textured Fine Art Paper	26 mil (0.67 mm)	Pro9890_9908_7890_7908_TexturedFineArtPaper_PK.icc Pro9890_9908_7890_7908_TexturedFineArtPaper_MK.icc
Enhanced Matte Posterboard	51 mil (1.3 mm)	Pro9890_9908_7890_7908_EnhancedMattePosterBoard_PK.icc Pro9890_9908_7890_7908_EnhancedMattePosterBoard_MK.icc

* PK profiles are for Photo Black ink; MK profiles are for Matte Black ink.

Note: We recommend that you use genuine Epson cartridges and do not refill them. The use of other products may affect your print quality and could result in printer damage.

Yields vary considerably based on images printed, print settings, paper type, frequency of use, and temperature. For print quality, a small amount of ink remains in the cartridge after the “replace cartridge” indicator comes on. The printer ships with full cartridges and part of the ink from this first set of cartridges is used for priming the printer.

For best printing results, use up a cartridge within six months of opening the package.

Printable Area

Default roll paper margins are 0.59 inch (15 mm) top and bottom, and 0.12 inch (3 mm) right and left. Using the menu system, you can set all the margins to 15 mm or 3 mm, or set the top margin to 35 mm. See page 213 for details.

The borderless printing feature allows edge-to-edge printing on some media.

Ink Cartridges

Cartridge life	2 years from production date if unopened; within 6 months after opening package
Temperature (storage)	–4 to 104 °F (–20 to 40 °C); 1 month at 104 °F (40 °C); installed or uninstalled
Capacity	700, 350, or 150 ml
Weight	150 ml: approximately 0.84 lb (381 g) 350 ml: approximately 1.46 lb (662 g) 700 ml: approximately 2.43 lb (1102 g)

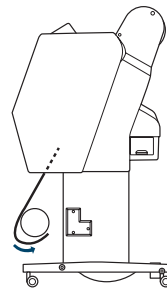
Appendix B: Using the Optional Auto Take-Up Reel

If you want to print multiple images on roll paper and have the printouts rolled up automatically, you can use the optional Auto Take-Up Reel (Epson Stylus Pro 9890 only).

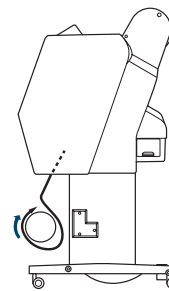
To install the Auto Take-Up Reel, follow the instructions in the manual that came with it.

You can wind your printed media either forward (with the printed surface outside), or backward (with the printed surface inside).

Note: Epson Doubleweight or Singleweight Matte paper should be wound forward.



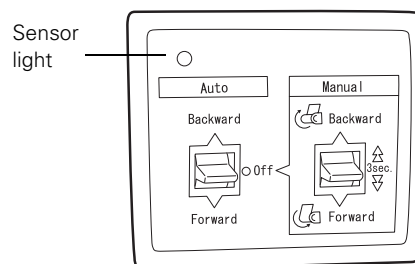
Winding forward



Winding backward

The table below describes the status of the Auto Take-Up Reel as indicated by the **Sensor** light.

Sensor light status	Description
On	Ready to use.
Flashing rapidly	Operating
Flashing slowly	Power-saving mode
Flashing very slowly	The Auto Take-Up Reel has an error and stopped working; check the installation and see page 187 for additional solutions.
Off	Turned off.

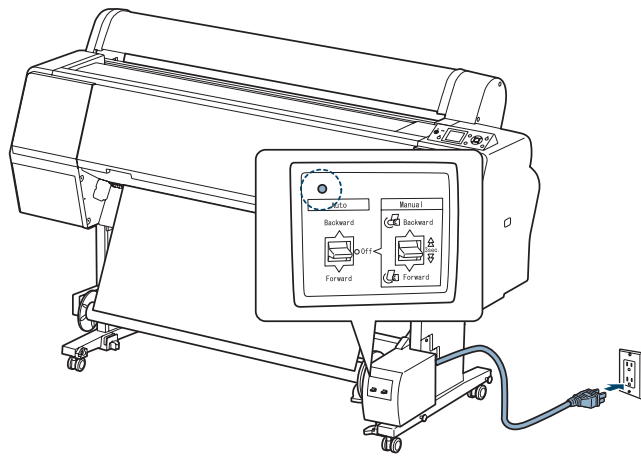



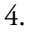

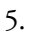
WARNING: Make sure the Auto Take-Up Reel is installed properly and is turned off before loading paper. If it is installed incorrectly or operates unexpectedly, bodily injury may occur.

Loading Roll Paper Onto the Take-Up Reel

Before you load roll paper onto the take-up reel core, check the following:

- Turn off the Auto Take-Up Reel to avoid injury.
 - Make sure that the leading edge of the roll paper is straight.
1. Plug in the power cord.

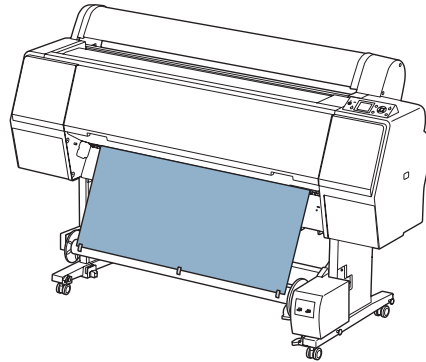


2. Make sure the printer is on and the  Auto Take-up Reel icon appears on the LCD screen.
3. Make sure that the roll paper is loaded in the printer properly. For instructions, see page 57.
4. Press the  button to select  (Auto Cut Off).
5. Press the  button to feed the roll paper out of the printer.

Continue with the steps in the next section if you want to wind your prints forward, or page 202 if you want to wind your prints backward.

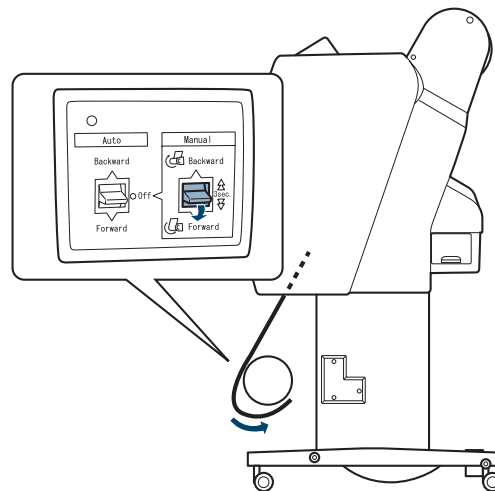
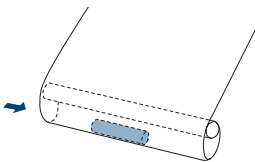
Winding Prints Forward

1. Tape the leading edge of the paper to the take-up reel core in three places.



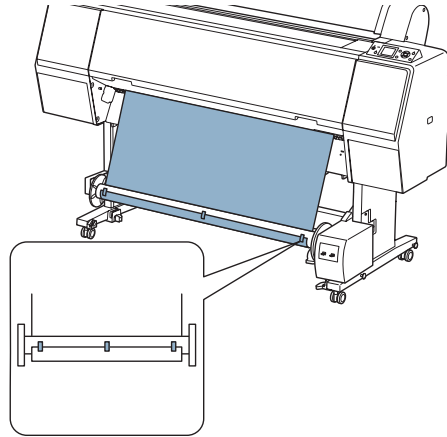
2. Press the ▼ button to feed the paper forward and create some slack.
3. Set the **Manual** switch on the Auto Take-Up Reel to **Forward** and hold it long enough to take up at least three turns of paper onto the reel. Make sure adequate slack remains between the roll paper and the take-up reel.

Note: When printing on Singleweight Matte Paper at least 24 inches wide, place the tensioner in the slack area to ensure good print quality.

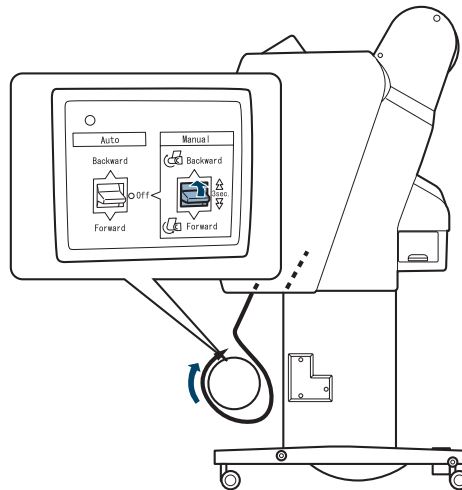


Winding Prints Backward

1. Wind the bottom of the roll paper around the back of the reel as shown below, then tape the leading edge of the paper to the reel in three places.



2. Press the ▼ button to feed the paper forward and create some slack.
3. Set the **Manual** switch on the Auto Take-Up Reel to **Backward** to take up at least three turns of paper onto the reel. Make sure adequate slack remains between the roll paper and the take-up reel.



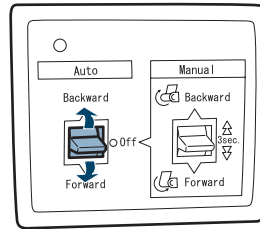
Printing Using the Auto Take-Up Reel

Once the Auto Take-Up Reel is installed and paper is attached to it, you can use it to take up your prints.

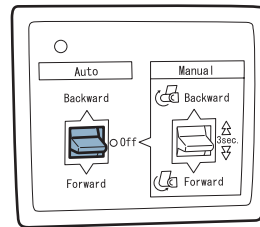
WARNING: Do not touch the Auto Take-Up Reel while it is operating; doing so may result in injury.

Turn off the Auto Take-Up Reel before removing the reel; if the reel operates unexpectedly, bodily injury may occur.

1. Set the **Auto** switch to **Forward** or **Backward**, depending on how you set up the paper.

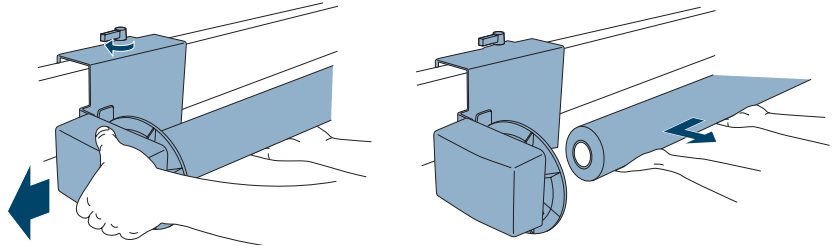


2. Send a print job to the printer. The Auto Take-Up Reel takes up the roll paper 1/4 to 1/2 turn at a time.
3. When you are ready to remove your prints, set the **Auto** switch to **Off**.



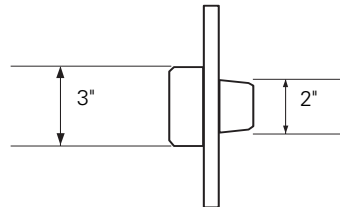
4. Press the ✂ button on the printer to cut the paper.

5. To remove your prints, turn the lever to unlock the reel, and then slide it left. Support the reel with one hand to keep it from falling.
6. Remove the take-up reel core from the paper stop on both ends of the reel.

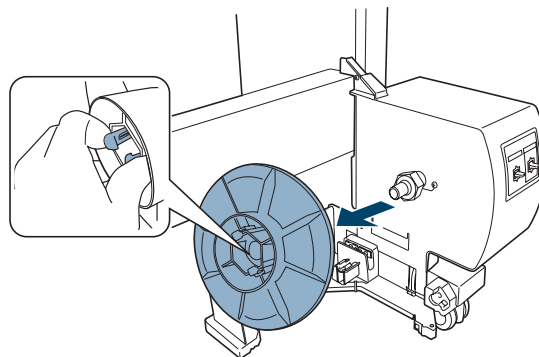


Reversing the Paper Stops for a 2-inch Paper Reel Core

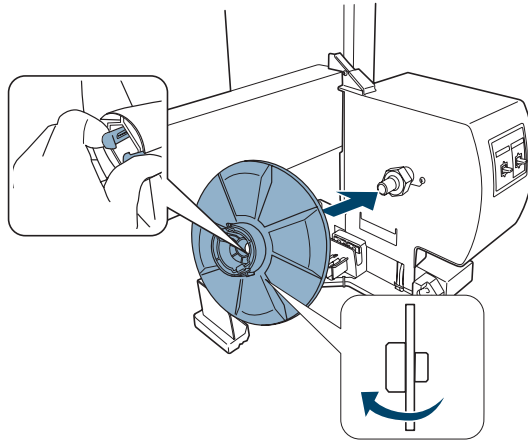
You can use a 2-inch roll paper core (after the paper is used up) in the auto take-up reel. First you need to reverse the paper stops.



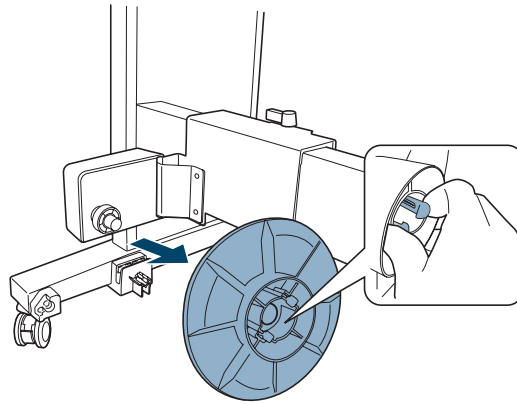
1. Remove the paper stop from the drive unit by pinching the clips.



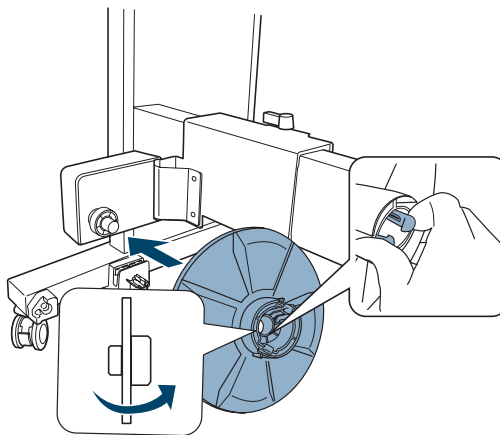
2. Reverse the paper stop so that the smaller knob is on the outside. Then pinch the clip and reinstall the paper stop on the drive unit.



3. Remove the paper stop from the movable unit by pinching the knob.

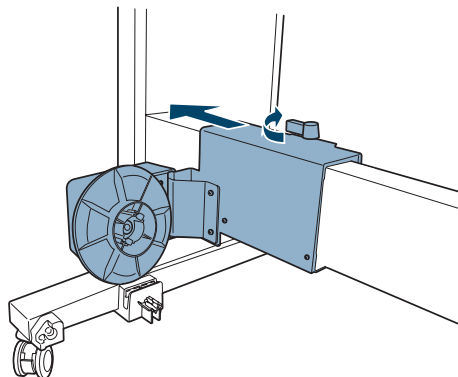


4. Reverse the paper stop so that the smaller knob is on the outside. Then pinch the knob and reinstall the paper stop on the movable unit.

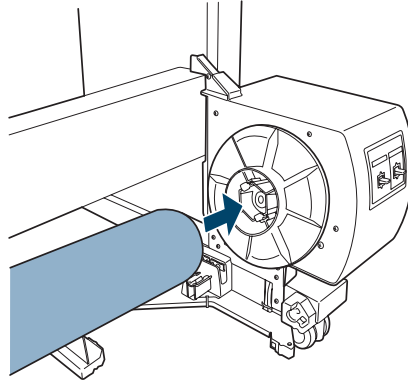


Installing a Take-Up Reel Core

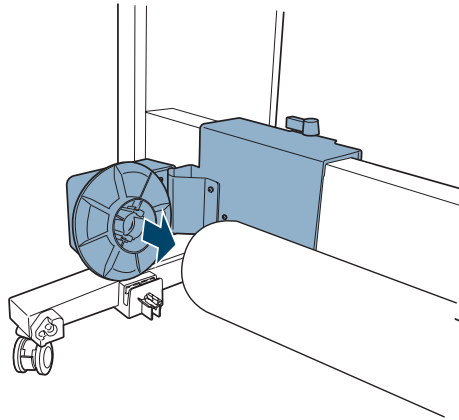
1. Make sure the lock lever is released. Then slide the movable paper stop all the way to the left.



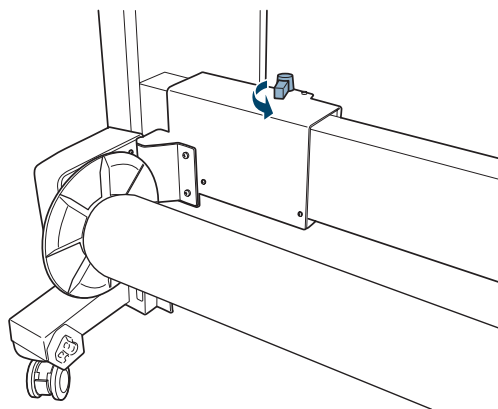
2. Slip one end of the take-up reel core over the paper stop on the drive unit.



3. Insert the paper stop on the movable unit into the other end of the core.



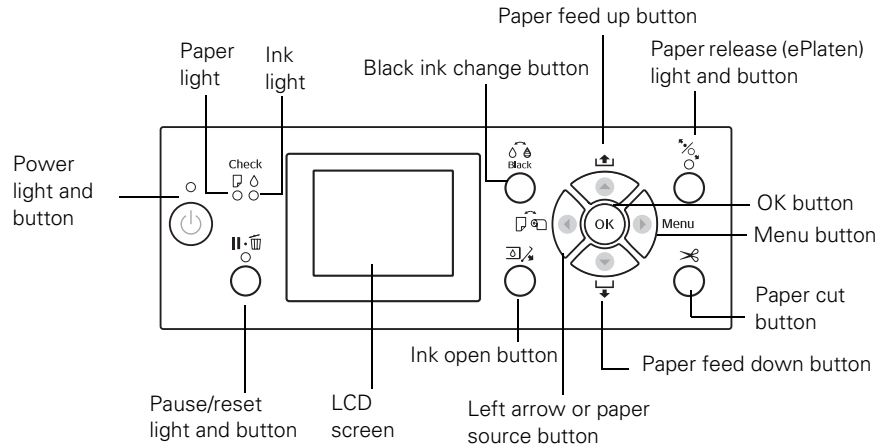
4. Turn the lever to the front to lock the movable unit.








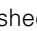
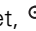
Appendix C: Control Panel



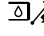


This Appendix summarizes the functions of the control panel's lights and buttons (below), describes the informational messages and icons you may see on the LCD screen (see page 212), and lists the available menu settings (see page 213).

Control Panel Buttons and Lights








Buttons

Button	Description
 Power	Turns the printer on and off
 Pause/reset	Stops printing temporarily Restarts printing when printing was paused In menu mode, returns the printer to READY state When held for 3 seconds, deletes the print job
 Menu	Accesses the printer menus Selects menus and settings within menu mode During printing, enters the PRINTER STATUS menu
 Paper Source	Selects the paper source ( sheet,  roll/Auto Cut On, or  roll/Auto Cut Off) Goes back to previous menu within menu mode


















Button	Description
▼ Paper feed Down	<p>Feeds the paper forward. Press and hold to feed paper faster.</p> <p>When paper is unlocked, reduces paper suction</p> <p>Changes setting parameters within menu mode</p>
▲ Paper feed Up	<p>Feeds the paper backward</p> <p>When paper is unlocked, increases paper suction</p> <p>Changes setting parameters within menu mode</p>
OK	<p>Executes setting changes within the menu system</p> <p>When held for 3 seconds when  sheet is selected, ejects the sheet</p> <p>When no paper is loaded, displays paper loading procedures on the LCD screen</p> <p>When held for 3 seconds when the printer is drying ink, stops the ink drying process and ejects the paper</p>
 Black ink change	Switches from Photo Black to Matte Black and vice-versa. For more information, see page 157.
 Ink open	Opens the selected ink cover
 Paper release or ePlaten	Locks or releases paper in the printer
 Paper cut	Cuts roll paper

Lights

See “Checking Error Messages and Lights” on page 172 for instructions on responding to problems indicated by the printer lights.

Light	Description
 Power	On: printer is turned on Flashing: printer is printing or shutting down Off: printer is turned off
 Pause/reset	On: printer is paused, in Menu mode, or has an error Off: printer is ready
 Paper	On: no paper is loaded, paper is out, the selected paper source does not match the printer driver source, or the loaded paper is too thick for print head cleaning Flashing: paper is jammed or not loaded straight
 Ink	On: an ink cartridge is expended, not installed, or not compatible with the printer Flashing: an ink cartridge is nearly expended
 Paper release or ePlaten	On: paper is released Off: paper is locked in the printer

LCD Screen Icons

Icon	Description
Paper Source icons	
	Sheet
	Roll paper with Auto Cut On
	Roll paper with Auto Cut Off
Platen Gap icons	
	Widest
	Wider
	Wide
	Narrow
Roll paper icons	
	Displays when a non-default ROLL PAPER MARGIN setting is selected in the PRINTER SETUP menu; see page 213 for details
	Displays when the ROLL PAPER COUNTER setting is turned on in the PRINTER SETUP menu; see page 213 for details
Ink icons	
	Ink low (flashing)
	Ink expended, cartridge error, or no cartridge (flashing)
Maintenance tank icons	
	Maintenance tank nearly full
	Maintenance tank full
Option Usage icons	
	Auto take-up reel available
	Auto take-up reel installed but not available
	SpectroProofer available
	SpectroProofer installed but not available

Menu Setting Summary

Press the Menu button to enter menu mode and select the settings summarized here.

Menu setting	Description
PRINTER SETUP menu	
PLATEN GAP	Adjusts the distance from the print head to the paper; see page 75 for details. STANDARD for most printing WIDE or WIDER if images are smeared NARROW for thin paper WIDEST for thick paper
PAGE LINE	Selects whether to print a cut off line between pages on roll paper; see page 68 for details.
ROLL PAPER MARGIN	Selects the margins for roll papers. DEFAULT (15 mm all around) TOP/BOTTOM 15 mm (3 mm left/right) TOP 35/BOTTOM 15 mm (3 mm left/right) 3 mm (all around) 15 mm (all around)
PAPER SIZE CHECK	Selects whether the printer checks to see if the width of the loaded paper matches the width selected in your print job (ON is recommended).
PAPER SKEW CHECK	Selects whether the printer alerts you if paper is not feeding straight by displaying PAPER SKEW on the LCD screen and stopping printing. If you select OFF , you do not receive an error even if the print job is out of range of the loaded paper.
REFRESH MARGIN	Selects whether to automatically leave an extra margin area after borderless print jobs.
AUTO NOZZLE CHECK	Selects whether to automatically check the print head nozzles periodically or before printing each print job.
PRINT NOZZLE PATTERN	Selects whether to print a nozzle check pattern on every page or every 10 pages.
CHANGE BLACK INK	Selects whether to use Photo Black or Matte Black ink.
INITIALIZE SETTINGS	Resets the PRINTER SETUP menu settings to their default settings.

Menu setting	Description
TEST PRINT menu	
NOZZLE CHECK	Prints a nozzle check pattern; see page 149 for details.
STATUS SHEET	Prints a sheet showing the status of various printer parts and settings; see page 146 for details.
NETWORK STATUS SHEET	Prints a sheet showing the network settings; see the on-screen <i>Network Guide</i> for details.
JOB INFORMATION	Prints a sheet showing information about the last 10 print jobs.
CUSTOM PAPER	Prints information about paper configurations you have created; see page 81 for details.
MAINTENANCE menu	
CUTTER ADJUSTMENT	Adjusts the cutter position.
CUTTER REPLACEMENT	Starts procedure to replace the paper cutter blade; see page 159 for details.
CLEANING	Starts a print head cleaning cycle: either a normal cleaning, 2-color cleaning, or power cleaning; see page 151 for details.
CLOCK SETTING	Sets the printer date and time settings; see page 157 for details.
PRINTER STATUS menu (see page 146 for details)	
VERSION	Displays the printer's firmware version number.
INK LEVEL	Displays the status of the ink in the cartridges.
MAINTENANCE TANK	Displays the status of the maintenance tank or tanks.
JOB HISTORY	Displays the approximate amount of ink and paper used in the last 10 print jobs.
TOTAL PRINTS	Displays the total number of pages printed.

Menu setting	Description
PAPER SETUP menu (see page 57 for details)	
ROLL PAPER REMAINING	Sets up the automatic media tracking and identification system. When this setting is ON , you can also set the ROLL PAPER LENGTH and ROLL LENGTH ALERT to keep track of the remaining paper. See page 60 for details.
PAPER TYPE	Selects the media type loaded in the printer: Photo Paper Proofing Paper Fine Art Paper Matte Paper Plain Paper Others CUSTOM PAPER NO PAPER SELECTED
CUSTOM PAPER	Selects the number for each special paper configuration you set in the Custom Paper menu
CUSTOM PAPER menu (see page 81 for details)	
PAPER TYPE	Selects the media type that is closest to the paper you are using: Photo Paper Proofing Paper Fine Art Paper Matte Paper Plain Paper Others
PLATEN GAP	Adjusts the distance from the print head to the paper. STANDARD for most printing WIDE or WIDER if images are smeared NARROW for thin paper WIDEST for thick paper
THICKNESS PATTERN	Prints a thickness pattern so you can select a THICKNESS NUMBER setting for head alignment.
PAPER FEED ADJUST	Adjusts the amount of paper fed during printing to help eliminate banding (–0.70 to 0.70%). Choose a lower value if you see white lines on your prints, or a higher value if you see dark lines.
DRYING TIME	Selects a drying time for ink to avoid smearing (from 0 to 10 seconds).

Menu setting	Description
PAPER SUCTION	Adjusts the suction pressure when printing on thin paper or backlight film. STANDARD –1 to –4
SET ROLL PAPER TENSION	Raises the tension to prevent wrinkles when printing on cloth or thin paper. STANDARD HIGH HIGHER
REMOVE SKEW	Reduces paper skew.
HEAD ALIGNMENT menu (see page 152 for details)	
PAPER THICKNESS	Selects the paper type (Epson media) or thickness (non-Epson media) for aligning the print head.
ALIGNMENT	Selects and starts running print head alignment of various types.
NETWORK SETUP menu (see the on-screen <i>Network Guide</i> for details)	
NETWORK SETUP	Select to enable or disable network printing.
IP ADDRESS SETTING	Select to set the IP address automatically or manually.
IP, SM, DG SETTING	Enter the IP address settings, if selecting the address manually.
BONJOUR	Select the Bonjour network settings, if necessary.
INIT NETWORK SETTING	Returns the network settings to their default values.
OPTIONS SETUP menu	
SpectroProofer	Displays status of various parts of the SpectroProofer and performs device alignment after the SpectroProofer is installed.
Take-up reel	Displays the version of the Auto Take-up Reel installed (Pro 9890 only).

Index

A

- Accessories, 12
- Adobe Photoshop, 137 to 143
- Advanced Black and White Photo
 - Mac OS X, 99 to 101
 - Windows, 123 to 125
- Aligning print head, 152 to 153
- Always spool RAW datatype setting, 134
- Auto Cut setting
 - Mac OS X, 96
 - Windows, 119
- Auto Rotate setting, Windows, 119
- Automatic media tracking, 60
- Automatic Take-Up Reel, optional
 - ordering, 12
 - problems, 187
 - using, 199 to 206

B

- Banding, 177
- Barcode, 60
- Basket, paper
 - SP 7890, 27 to 33
 - SP 9890, 34 to 42
- Black and white photos
 - Mac OS X, 99 to 101
 - Windows, 123 to 125
- Black ink mode, switching, 157
- Blank pages, 182
- Blurry prints, 179
- Borderless printing
 - Mac OS X, 86, 87 to 90
 - Windows, 108, 116 to 121
- Buttons, control panel, 19, 172, 209 to 210

C

- Cable
 - power, 45
 - printer, 13, 48 to 49
 - problems, 181
 - requirements, 13, 14
- Canceling print jobs
 - Mac OS X, 103
 - Windows, 132
- Cartridges, *see* Ink cartridges
- Checking printer status, 145 to 147
- Cleaning
 - print head, 148 to 152, 159
 - printer, 165
- Coarse Rendering setting, 134
- Color management
 - Mac OS X, 93 to 94, 99 to 101, 137 to 140
 - profiles, 137 to 143
 - Windows, 114 to 116, 123 to 125, 141 to 143
- Color problems, 178, 182
- ColorSync settings, 94
- Connecting printer, 48 to 49
- Control panel
 - aligning print head, 152 to 153
 - buttons, 19, 172, 209 to 210
 - changing language, 158 to 159
 - changing measurement units, 158 to 159
 - cleaning print head, 150 to 152
 - illustration, 19, 172, 209
 - ink levels, checking, 145 to 146, 153 to 154, 212
 - lights, 19, 172, 209 to 211
 - messages, 172 to 176
 - monitoring printer, 172 to 176
 - restoring default settings, 158 to 159
 - selecting paper type, 57 to 58
 - status check, printing, 145 to 146
- Custom paper size
 - Mac OS X, 87 to 90
 - Windows, 108, 117, 120 to 121

- Custom Preset
 - Mac OS X, 101 to 102
 - Windows, 129 to 130
- Cut sheet paper
 - loading, 72 to 73
 - supported sizes, 194 to 196
- Cutter
 - cutting paper manually, 68
 - ordering replacement, 12
 - replacing, 159 to 162

D

- Date and time setting, 157
- Default settings, restoring, 158 to 159
- Deleting print jobs
 - Mac OS X, 103
 - Windows, 132
- Depth of printer, 190
- Diagnosing problems, 171
- Dimensions of printer, 190
- Documentation, how to use, 11

E

- Electrical specifications, 190
- Energy consumption, 190
- Environmental specifications, 189
- ePlaten, 19, 209 to 211
- Epson
 - accessories, 12
 - help, 13
 - media, 55 to 57
 - Preferred Limited Warranty Plan, 13
- EpsonNet Config, 54
- Error messages, 172 to 176
- Error notification, Windows, 135
- Ethernet port, 13, 18, 48, 190

F

- Faint prints, 179
- Firmware, updating, 52 to 53

G

- Gaps in prints, 179
- Garbled characters, 181
- Ghosting, 178
- Grainy prints, 178

H

- Head Alignment menu, 152, 153
- Height of printer, 190
- Help, Epson, 13
- High Speed Copies setting, 133
- High Speed setting
 - Mac OS X, 92
 - Windows, 111
- Humidity requirements, 189

I

- ICM setting, 116
- Ink
 - icons, 212
 - light, 19, 172, 211
- Ink cartridges
 - checking status, 132, 145 to 147, 153 to 154
 - installing, 46 to 48
 - ordering, 154
 - replacing, 153 to 156
 - safety instructions, 17
 - specifications, 198
- Inverted images, 181

J

- Jams, paper, 185 to 186
- Job history, 146

L

- Language, control panel, 158 to 159
- Layout
 - Mac OS X options, 87 to 90
 - Windows options, 122 to 123

- LFP Remote Panel, 52 to 53
- Lights, control panel, 19, 172, 209 to 211
- Loading
 - cut sheet paper, 72 to 73
 - roll paper, 57 to 67

M

- Mac OS X
 - advanced media control settings, 94 to 95
 - basic print options, 87 to 93
 - black and white photos, 99 to 101
 - borderless printing, 86, 87 to 90
 - canceling print jobs, 103
 - checking printer status, 147
 - color management, 93 to 94, 99 to 101, 137 to 140
 - ColorSync settings, 94
 - custom paper size, 87 to 90
 - custom preset, 101 to 102
 - installing software, 49 to 50
 - Media Type setting, 91, 104 to 105
 - monitoring print jobs, 103
 - page setup options, 87 to 90
 - roll paper settings, 96 to 97
 - system requirements, 13
 - uninstalling software, 187
- Maintenance, 145 to 167
- Maintenance menu, 152, 159
- Maintenance mode, 158 to 159
- Maintenance tank
 - checking status, 145 to 147
 - ordering, 12
 - replacing, 163 to 164
- Manuals, how to use, 11
- Margins
 - default, 198
 - incorrect, 181
 - printing without, 86 to 90, 116 to 121
- Media tracking, setting up, 60

- Media Type
 - Mac OS X, 91, 104 to 105
 - Windows, 110, 123, 125 to 128
- Memory, requirements, 13 to 14
- Menus
 - Custom Paper, 81 to 83, 215 to 216
 - Head Alignment, 152, 153, 216
 - Maintenance, 152, 159, 214
 - Network Setup, 216
 - Printer Setup, 150, 213
 - Printer Status, 52, 146 to 147, 214
 - setting summary, 213 to 216
 - Test Print, 146, 214
- Messages, control panel, 172 to 176
- Mirror Image setting
 - problems, 181
 - Windows, 122
- Monitoring printer
 - control panel, 172 to 176
 - Mac OS X, 103
 - Windows, 132 to 135
- Moving printer, 167 to 170

N

- Network
 - configuring software, 54
 - connection, 48, 52
- Network Setup menu, 216
- Nozzle check, 148

O

- Optional equipment, 12

P

- Page Line setting
 - control panel, 68
 - Mac OS X, 97
 - Windows, 119
- Page Rendering Mode setting, 134

- Paper
 - configuration settings, 81 to 83, 94 to 95, 125 to 128, 179
 - custom size, 87 to 90, 108, 117, 120 to 121
 - cut sheet, *see* Cut sheet paper
 - cutting manually, 68
 - Epson, 55 to 57
 - handling, 55 to 83
 - icons, 212
 - jams, 185 to 186
 - light, 172, 211
 - Mac OS X options, 87 to 90
 - non-Epson, 81 to 83
 - ordering, 55
 - printable area, 198
 - problems, 183 to 186
 - removing from printer, 69 to 71
 - roll, *see* Roll paper
 - sizes, 191, 194 to 196
 - specifications, 191 to 198
 - suction, 82, 95, 126
 - trim lines, 68, 97, 119
- Paper basket
 - SP 7890, 27 to 33
 - SP 9890, 34 to 42
 - storing, 80
 - using, 76 to 79
- Paper cutter, *see* Cutter
- Paper Size setting
 - Mac OS X, 87 to 90
 - problems, 181, 182
 - Windows, 117, 120 to 121
- Paper Source setting
 - icons, 212
 - problems, 182
 - Windows, 116, 120
- Paper Type, selecting on control panel, 57 to 58
- Pause/reset light, 19, 172, 209 to 211
- Pausing print jobs
 - Mac OS X, 103
 - Windows, 132
- PhotoEnhance, 115
- Photoshop, Adobe, 137 to 143
- Platen Gap setting
 - control panel, 75 to 76
 - Mac OS X, 95
 - problems, 179
 - Windows, 126
- Power cable, 42
- Power cleaning cycle, 151 to 152
- Power consumption, 190
- Power light, 19, 172, 209 to 211
- Preset
 - Mac OS X, 101 to 102
 - Windows, 129 to 130
- Print as Bitmap setting, 134
- Print head
 - aligning, 152 to 153
 - checking status, 145 to 146
 - cleaning, 148 to 152, 159
 - locking for transportation, 168
 - unlocking, 44
- Print jobs
 - canceling, 103, 132
 - managing, 103, 132 to 135
 - pausing, 103, 132
- Print quality
 - Mac OS X, 92
 - problems, 177 to 180
 - Windows, 110 to 111
- Print speed, improving in Windows, 134
- Printable area, 198

Printer

- cable, 13, 48
- checking status, 132 to 135, 145 to 147
- cleaning, 165
- connecting, 48 to 49
- default settings, restoring, 158 to 159
- dimensions, 190
- firmware update, 52 to 54
- maintaining, 145 to 167
- monitoring, 132 to 135, 147
- mounting on stand, 26
- moving, 167 to 170
- parts, 18
- plugging in, 45
- setting up, 21 to 45
- software, installing, 49 to 52
- software, uninstalling, 187 to 188
- specifications, 189 to 198
- status check, 145 to 147
- storing, 167 to 170
- total print volume, 146
- transporting, 167 to 170
- turning off, 16
- weight, 190

Problems

- banding, 177
- blank paper, 182
- blurry prints, 179
- cable, 181
- color, 178, 182
- diagnosing, 171
- faint prints, 179
- garbled characters, 181
- ghosting, 178
- graininess, 178
- inverted image, 181
- margin, 181
- misalignment, 177
- misregistration, 178
- nothing prints, 181
- operational, 180 to 181
- paper, 183 to 186
- print quality, 177 to 180
- print speed, 134, 182
- printing stops, 180
- roll paper cannot be cut, 182
- smear prints, 179

Profiles, color, 137 to 143

Progress Meter, 132, 133

Q

- Quality Options, Windows, 110 to 111

R

- Registering non-Epson media
 - control panel, 81 to 83
 - Mac OS X, 94 to 95
 - Windows, 125 to 128
- Remaining paper setup, 60
- Requirements, system, 13 to 14
- Resolution
 - Mac OS X, 92
 - Windows, 110

Roll paper
 cannot be cut, 182
 cutting manually, 68
 loading, 57 to 67
 Mac OS X settings, 96 to 97
 ordering adapters, 12
 printable area, 198
 remaining, 60
 removing from printer, 69 to 71
 Save Roll Paper setting, 97, 117
 tracking, 60
 trim lines, 68, 97, 119
 Windows settings, 116 to 119

S

Safety
 approvals, 191
 instructions, 15 to 17
 Save Roll Paper setting
 Mac OS X, 97
 Windows, 117
 Setting up printer, 21 to 45
 Software
 installing, 49 to 52
 uninstalling, 187 to 188
 Specifications
 electrical, 190
 environmental, 189
 ink cartridges, 198
 paper, 191 to 198
 printable area, 198
 printer, 189 to 198
 SpectroProofer, ordering, 12
 Speed and Progress utility, 132 to 135
 Status Monitor
 Mac OS X, 147
 Windows, 132 to 135, 147
 Storing printer, 167 to 170
 Stylus Pro 7890, paper basket,
 27 to 33
 Stylus Pro 9890, paper basket,
 34 to 42
 Suction, 82, 95, 126

Super strong cleaning cycle, 159
 Support, Epson, 13
 System requirements, 13 to 14

T

Take-Up Reel, Auto, *see* Automatic
 Take-Up Reel, optional
 Technical support, 13
 Temperature requirements, 189
 Test Print menu, 146
 Time and date setting, 157
 Total prints, checking, 146
 Transporting printer, 167 to 170
 Trim lines, printing
 control panel, 68
 Mac OS X, 97
 Windows, 119
 Troubleshooting, 171 to 188

U

UltraChrome K3 with Vivid Magenta
 ink cartridges, 154
 Uninstalling software, 187 to 188
 Unit ID number, 13
 USB cable
 connecting, 49
 port, 190
 requirements, 13, 14
 User-defined paper size
 Mac OS X, 87 to 90
 Windows, 108, 117, 120 to 121
 Utility menu
 Mac OS X, 147, 148
 Windows, 133, 147, 148

W

Waste ink system, 145 to 147,
 163 to 164
 Weight of printer, 190
 Width of printer, 190

Windows

- basic print options, 109 to 111
- black and white photos, 123 to 125
- borderless printing, 108,
116 to 121
- canceling print jobs, 132
- checking printer status, 147
- color management, 114 to 116,
123 to 125, 141 to 143
- custom paper size, 108, 117,
120 to 121
- custom presets, 129 to 130
- installing software, 50 to 52
- layout options, 122 to 123
- managing print jobs, 132 to 135
- Media Type setting, 110, 123,
125 to 128
- monitoring preferences, setting,
135
- paper configuration options,
125 to 128
- roll paper options, 116 to 119
- Speed and Progress utility,
132 to 135
- status alerts, 135
- Status Monitor, 132 to 135
- system requirements, 14
- uninstalling software, 188
- user-defined paper size, 108, 117,
121