



VINYL CUTTER

User Manual & Assembly Instructions



USCutter 

Table of Contents

Thank you for your purchase of this new MH Cutter

Your new **MH Vinyl Cutter and Plotter** is your gateway into a world of possibilities. From more industrial uses like custom signage, vehicle decals, and window graphics to hobby and art creation including wall and glass art and garment customization.

By mastering the use of this equipment and accompanying software, understanding which materials to use for different projects, and learning a few basic application techniques **there's not much you won't be able to do.**



- 2 Table of Contents
- 3 Safety Precautions
- 4 Site Selection & Preparation
- 5 Stand Parts & Set Up
- 10 Blade Set Up
- 11 Installing the Pen Carriage
- 12 Get To Know Your Cutter
- 14 Control Panel
- 18 Connecting to a Computer
- 19 Preparing for Cutting
- 24 Making Your First Test Cut
- 26 Troubleshooting
- 28 Care and Maintenance
- 29 Warranty Statement
- 30 Hardware Bundles

CAUTION IS STRONGLY ADVISED WHEN USING THIS EQUIPMENT



Device requires installation. Operation of this device requires use of sharp blades and caution should be taken to make sure that fingers do not get caught in moving gears during operation.



Disconnect power during assembly, service and maintenance. Vinyl cutters are subject to static build-up. Use of anti-static devices including mats and anti-static vinyl systems may be required in some environments.



Vinyl cutting is a creative medium and can be an enjoyable hobby or classroom learning experience, but this vinyl cutter is not a toy and should not be used by children without supervision.

Except where noted, all Contents Copyright © 2015 USCutter and may not be reproduced without express written permission.

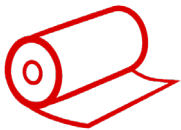
Site Selection & Preparation

If you are setting up for the first time please take a moment to refer to the Packaging Guide to take account of all the included components and accessories. For help with Stand Assembly, please refer to included instructions.

The first step to setting up your cutter is finding a good location for the machine. Consider these factors when you are selecting a suitable place:



Place your cutter near the PC that will be used to drive content to the vinyl cutter.



You will need to have access to both the front and rear of the machine for operation and changing out of vinyl rolls. Find a space that has adequate access and where the roll can roll freely on the rollers or on the table top.



Stability is key. Your MH cutter is a precision cutting device and the carriage head will move quickly back and forth across the vinyl. If it vibrates due to an uneven or unstable surface, it will result in issues with your cut. Whether placing the machine on a stand or table top, choose a level and stable surface.



Fans located inside of the cutter can draw in outside dust from the area surrounding the cutter. Excessive buildup of dust can cause either mechanical or electrical malfunctions. Keeping the cutter as dust free as possible will help ensure trouble free operation. Try to find an area for the cutter that will be free of any excessive dust and use the supplied cover when not in use.



All cutters will produce a small amount of noise while operating. Please take this into consideration when selecting a location for your cutting purposes.



A 110 outlet with a grounding plug is required for operation of the vinyl cutter/plotter and you will want internet access for our PC in order to download software and drivers required for operation. DO NOT attempt to use the cutter when it has not been properly grounded.

Your MH Cutter purchase may have included a stand, if you selected that option. If so, you'll want to set it up first. Please see instructions on the following page for assembly instructions.

A Short Screw

B Bolt Cap

C Bolt

D Long Screw

E Screw Sleeve Cap

F Screw Sleeve

G Left Roller Arm

H Right Roller Arm

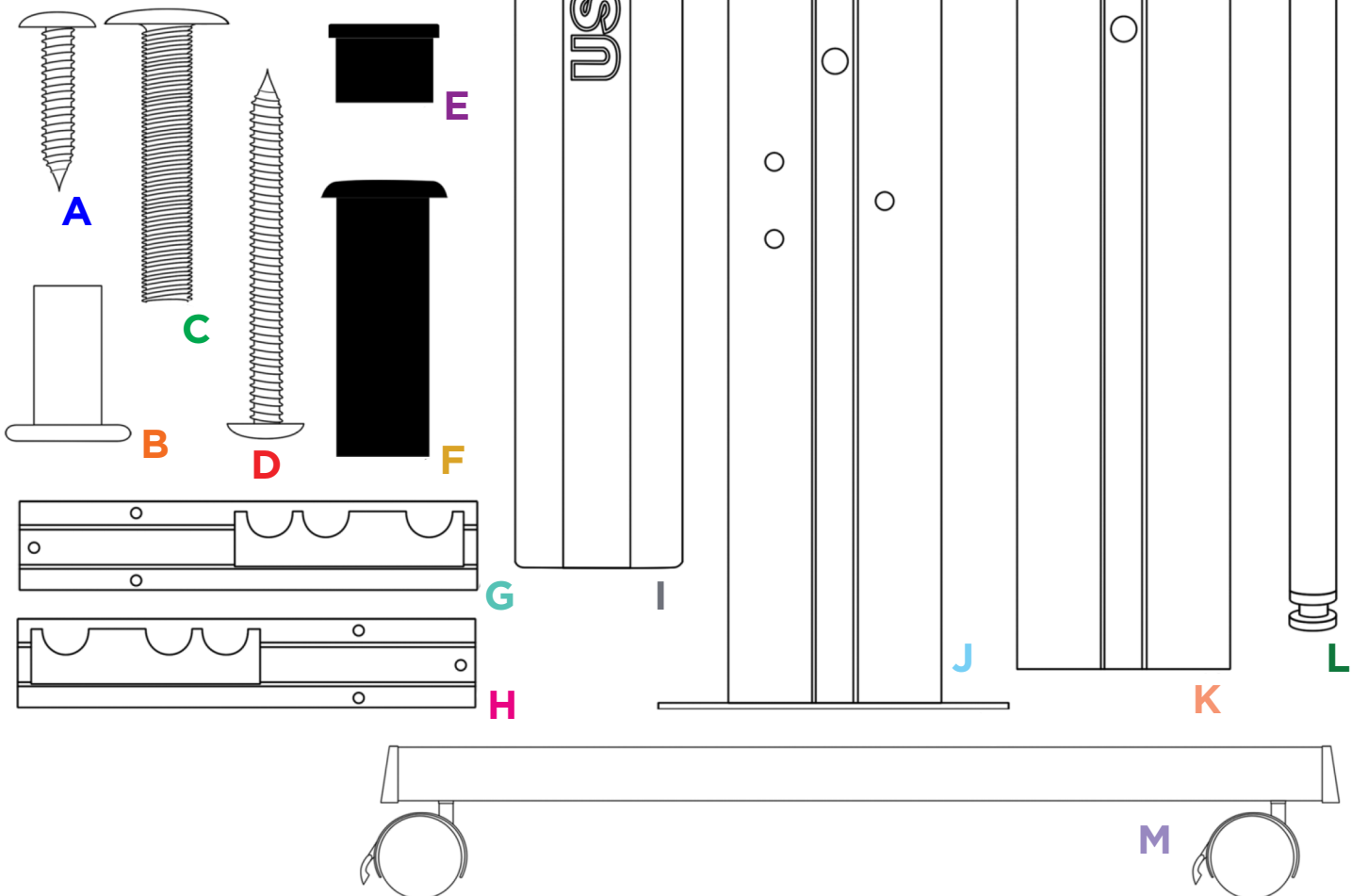
I Center Crossbeam

J Right Column

K Left Column

L Roller

M Foot



1

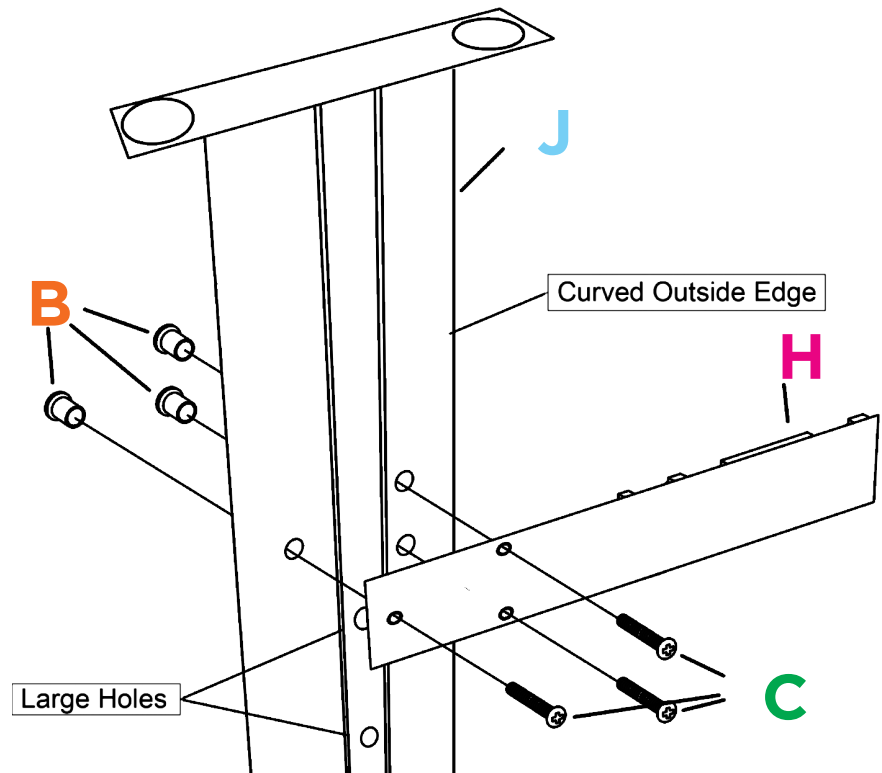
B (x3) Bolt Cap

C (x3) Bolt

H (x1) Right Roller Arm

J (x1) Right Column

Attach the Right Roller Arm to the outer side of the Right Column



(outer side will have a curved edge and will have larger hole openings)

2

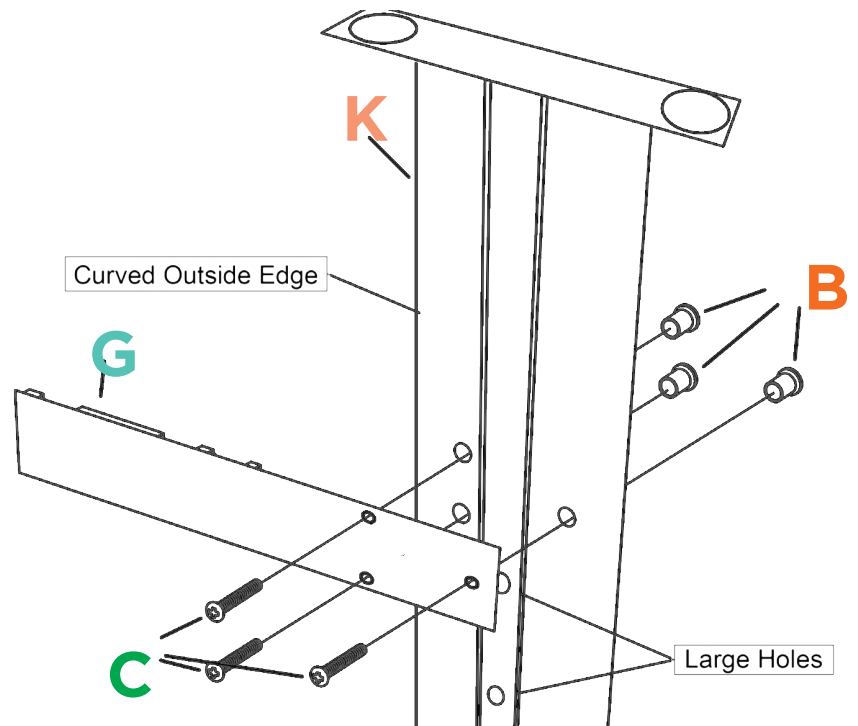
B (x3) Bolt Cap

C (x3) Bolt

G (x1) Left Roller Arm

K (x1) Left Column

Attach the Left Roller Arm to the outer side of the Left Column



(outer side will have a curved edge and will have larger hole openings)

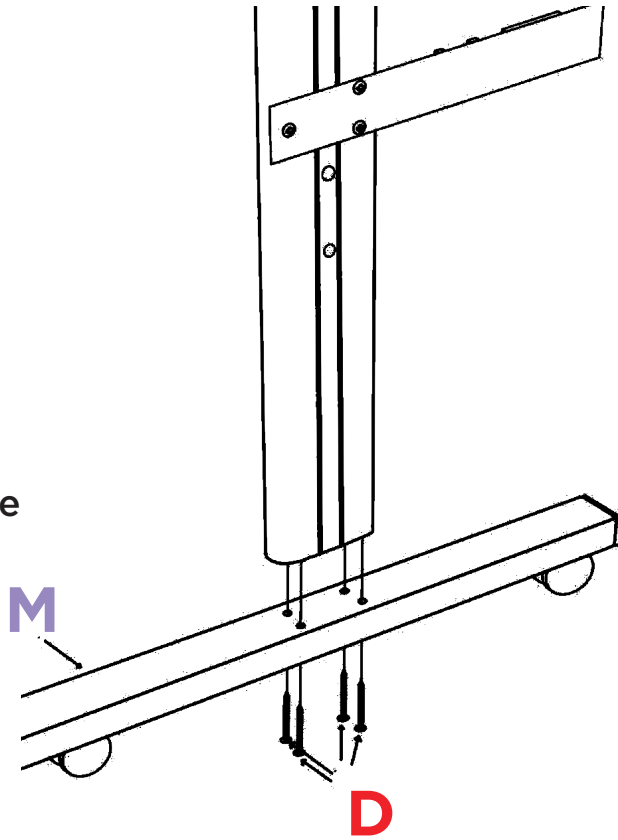
3

Assembled right side
(roller arm, column)

D (x4) Long Screw

M (1) Foot

Attach the Foot on the right side



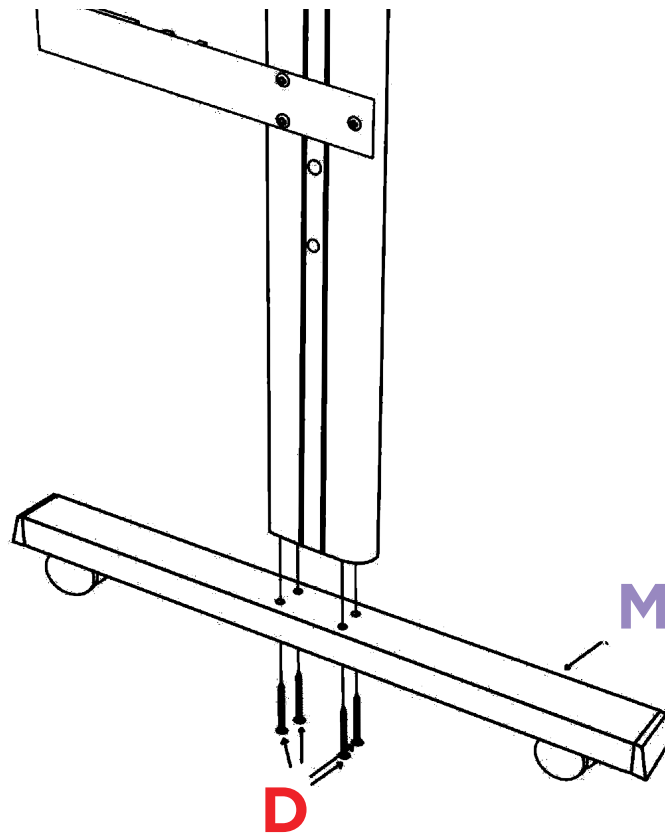
4

Assembled left side
(roller arm, column)

D (x4) Long Screw

M (1) Foot

Attach the Foot on the left side



5

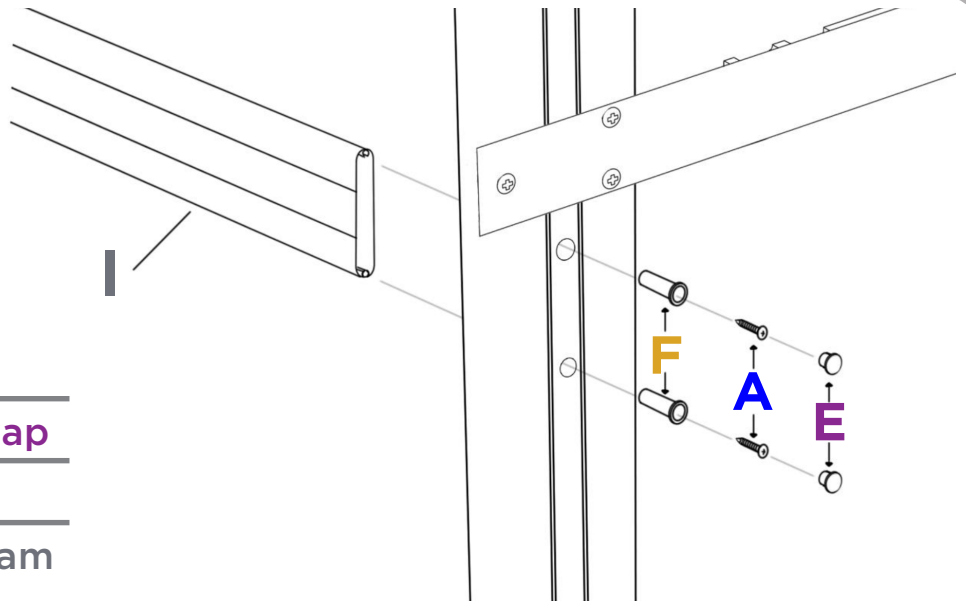
Assembled right side
(roller arm, column, foot)

A (x2) Short Screw

E (x2) Screw Sleeve Cap

F (x2) Screw Sleeve

I (x1) Center Crossbeam



Add the Center Crossbeam to the right side
(some larger models will have more than one Center Crossbeam. If your model has 2 Crossbeams, repeat this step, attaching both to the right side)

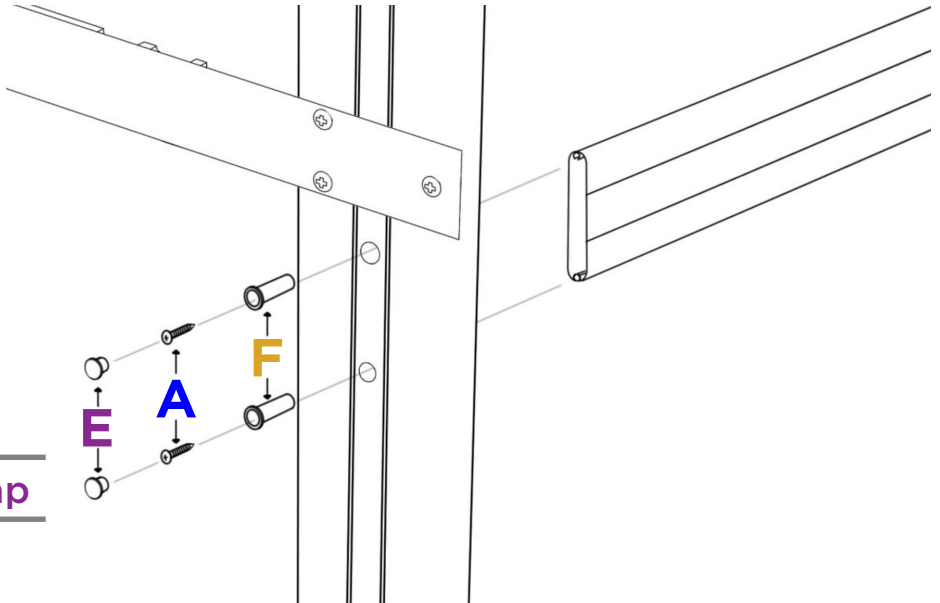
6

Assembled right side
(roller arm, column, foot)
with Center Crossbeam

A (x2) Short Screw

E (x2) Screw Sleeve Cap

F (x2) Screw Sleeve



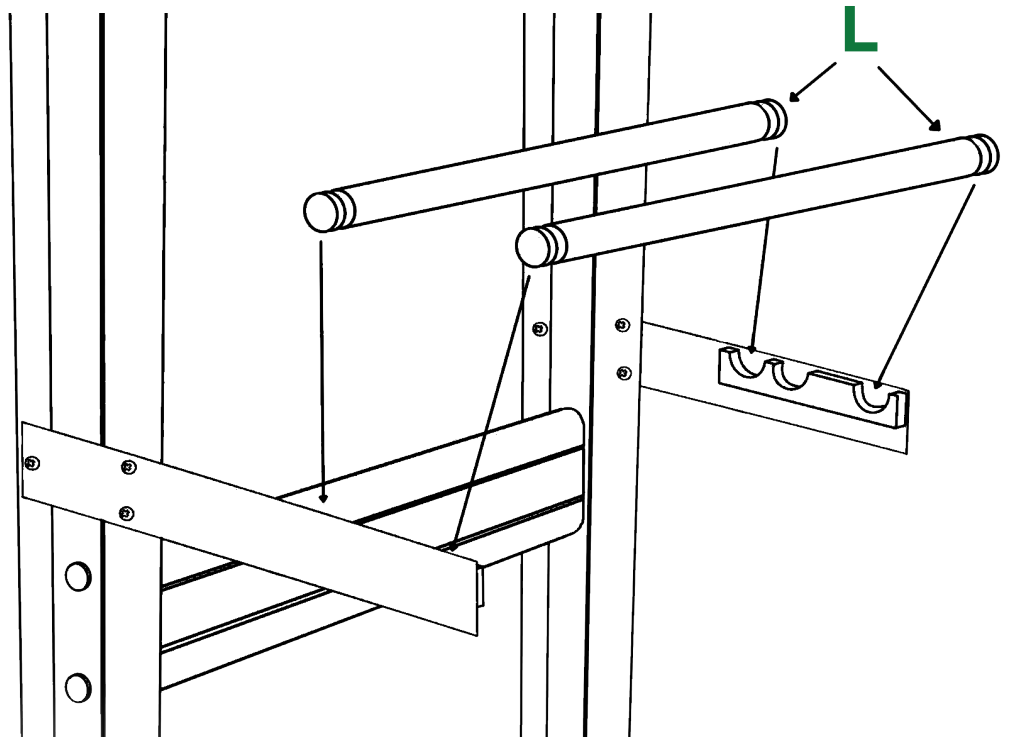
Add the Left Side to the completed right side
(some larger models will have more than one Center Crossbeam. If your model has 2 Crossbeams, repeat this step, attaching the left side to both)

7

Completed Stand

L (x2) Roller

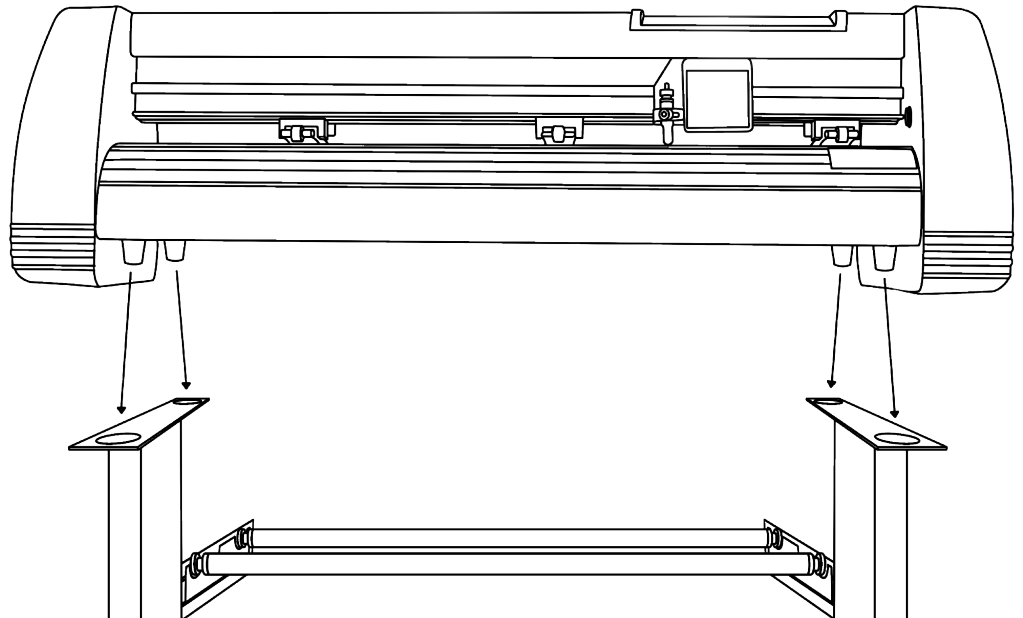
Add the Rollers



8

Completed stand with rollers, MH Cutter

Add the Cutter to the completed stand



Blade Set Up

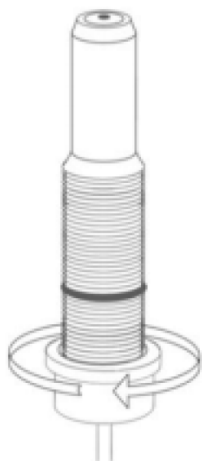
1

Unscrew the cap from the Blade Carriage.



2

Set Brass Ring on Blade Carriage to the fully down position.



3

Remove the protective cover from a new blade.



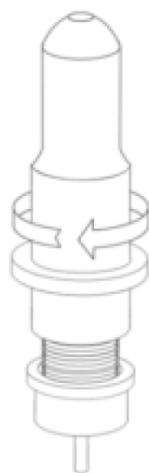
4

Insert the blade into the top of the Blade Carriage.



5

Screw the cap back onto the Blade Carriage.



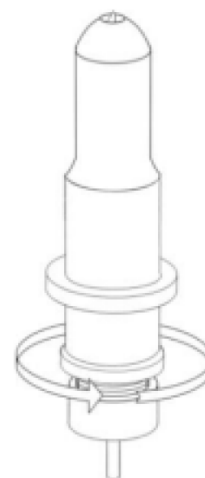
6

Adjust the carriage cap until the blade is protruding approximately $\frac{1}{64}$ th of an inch.



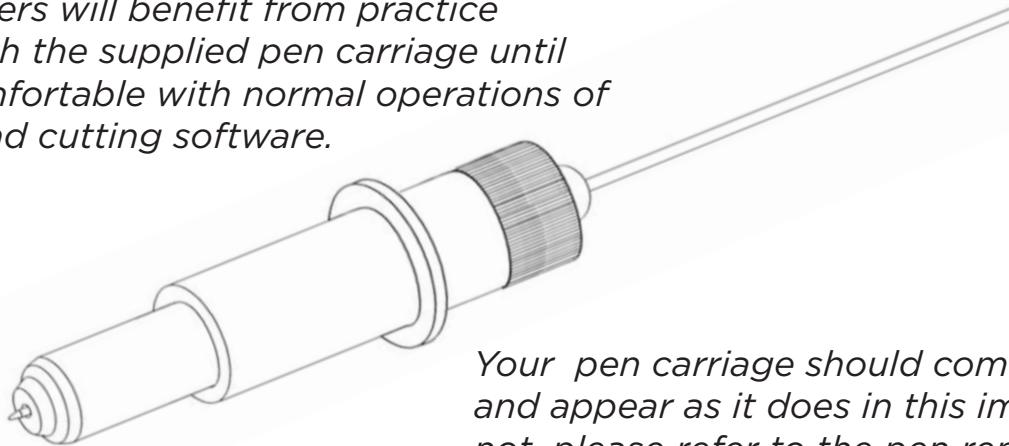
7

Adjust the Brass Ring until it fits snug against the Cap. This will help keep the cap in place during operation.

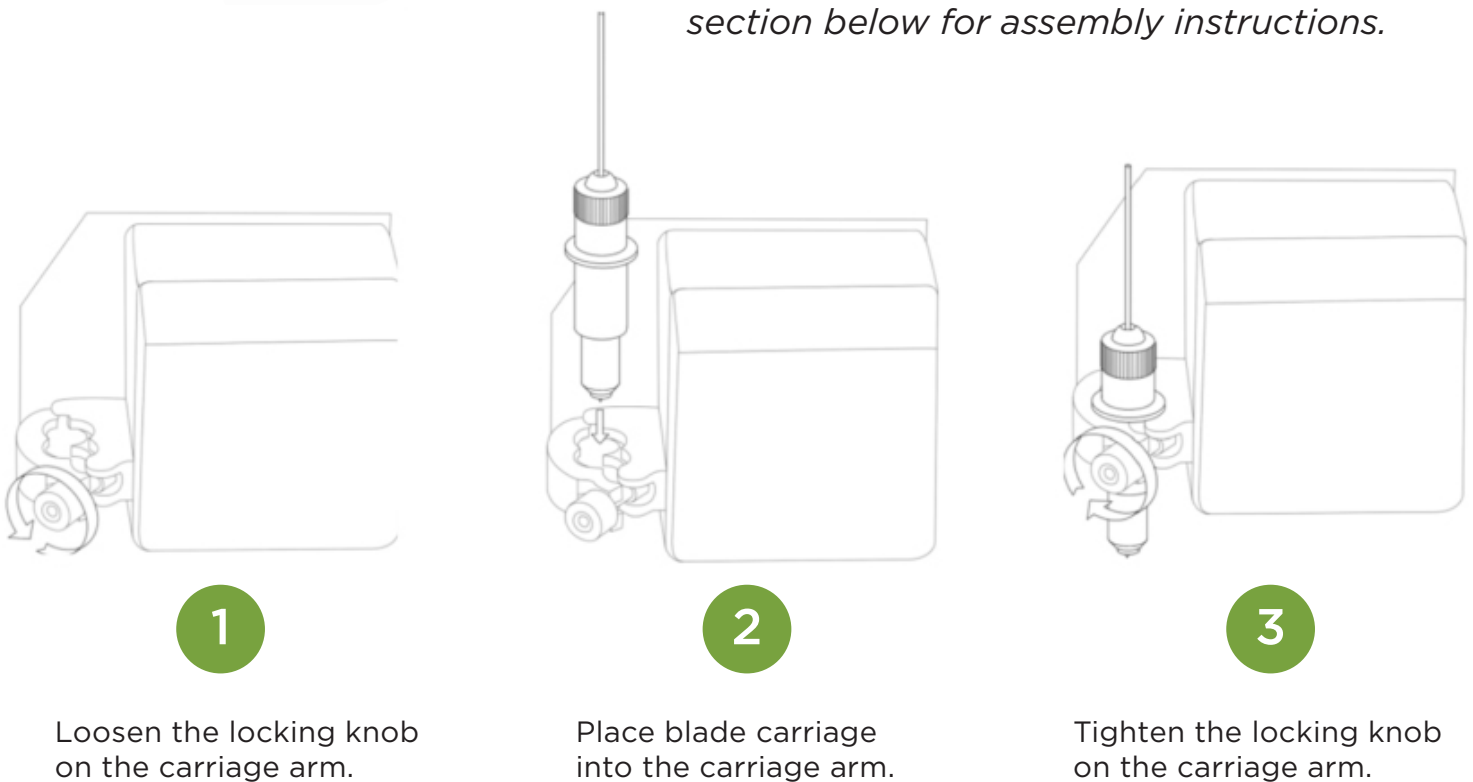


*Blades should be replaced every **6 months**. Your blade may need to be replaced more often if you are cutting thicker material such as flock, glitter, or reflectives.*

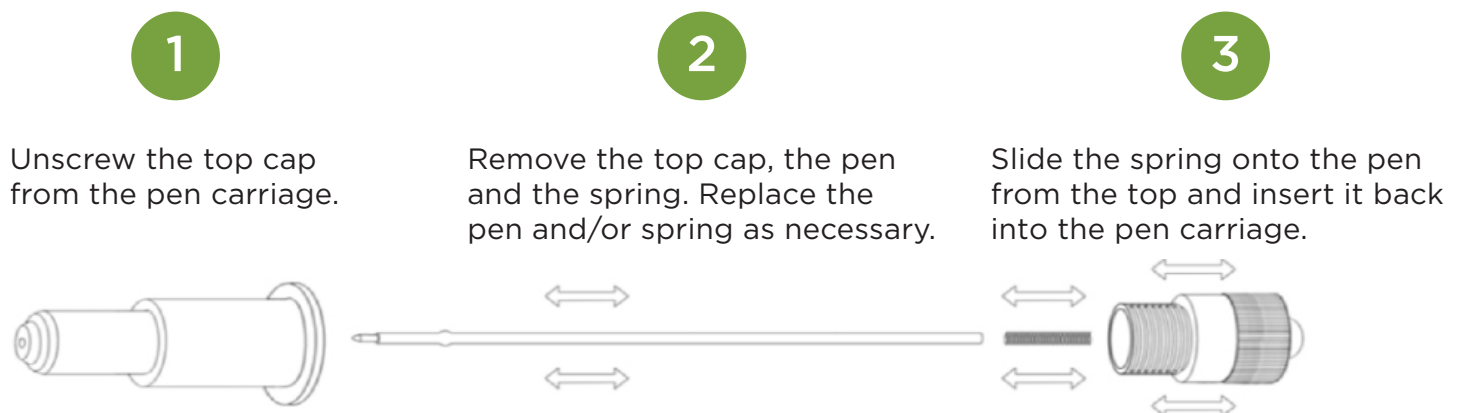
Most new users will benefit from practice “cutting” with the supplied pen carriage until they are comfortable with normal operations of the cutter and cutting software.



Your pen carriage should come assembled and appear as it does in this image. If it does not, please refer to the pen replacement section below for assembly instructions.



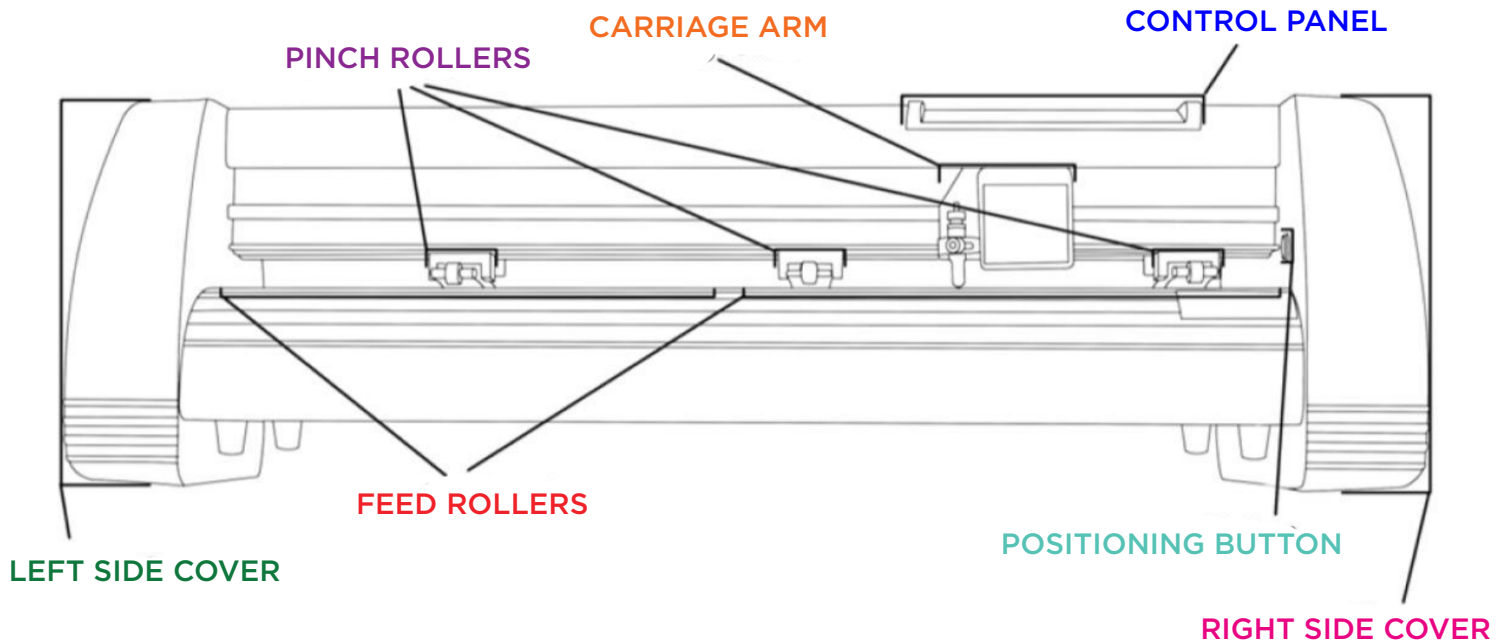
To replace the pen or spring inside of the pen carriage:



Get To Know Your Cutter

Before you start cutting, you should familiarize yourself with the cutter and its basic parts and functions.

FRONT VIEW



CONTROL PANEL

Used to provide input directly to the cutter. Covered in detail in the “Control Panel” section of this manual.

CARRIAGE ARM

Holds the blade (or pen) carriage.

PINCH ROLLERS

Holds the media tightly to the feed roller below.

FEED ROLLERS

Positions the cutting material during operation.

POSITIONING BUTTON

Used by the cutter to determine the location of the carriage arm.

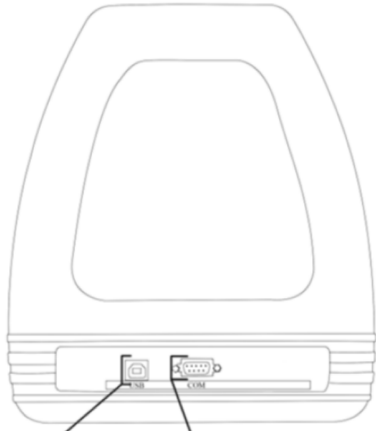
LEFT SIDE COVER

Contains the power cable port, power switch, and fuse cartridge for the cutter.

RIGHT SIDE COVER

Contains the USB and serial cable ports for the cutter.

RIGHT SIDE VIEW



USB CABLE PORT

SERIAL (COM) CABLE PORT

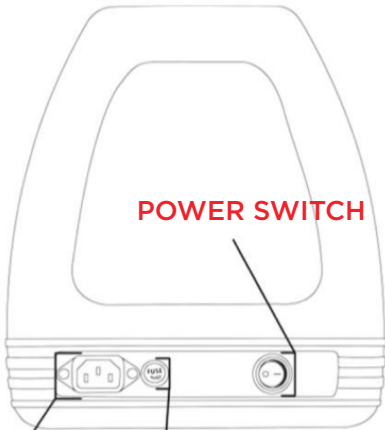
USB CABLE PORT

Used to connect a USB cable from the cutter to a computer.

SERIAL (COM) CABLE PORT

Used to connect a serial cable from the cutter to a computer.

LEFT SIDE VIEW



POWER SWITCH

POWER CABLE PORT

FUSE CARTRIDGE

POWER CABLE PORT

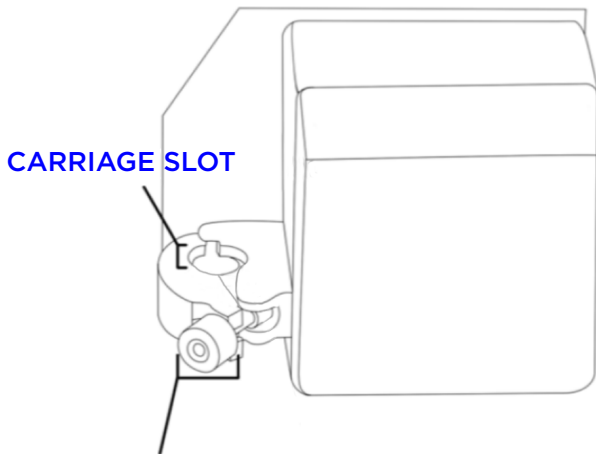
Used to connect a power cable from the cutter to a wall outlet or surge protector.

POWER SWITCH

Main power switch for turning the power of the cutter on (1) or off (0).

FUSE CARTRIDGE

Allows access to the fuse inside of the cutter.



CARRIAGE SLOT

LOCKING KNOB

CARRIAGE SLOT

Holds the blade carriage in place.

LOCKING KNOB

Allows access to the blade/pen carriage slots for exchanging/replacing carriages.

Control Panel

MAIN SCREEN



The main screen of the cutter allows you to set the main settings of the cutter including the cutting speed and cutting force options. It also allows you to cut a test pattern or check the amount of force that is currently set.

RESET BUTTON

Resets by stopping the cutter, and setting the origin of the carriage arm to its right most position.

OFFLINE/PAUSE BUTTON Accesses the Offline/Pause mode.

SETUP BUTTON

Accesses the Setup mode.

TEST BUTTON

Will cut a small test shape so that the current force and speed settings of the cutter can be tested. You can use this to determine the proper cutting speed and force settings needed for different materials without wasting large amounts of material from cutting full designs.

ORIGIN BUTTON

Used to test z-axis functionality (by dropping the blade down if the carriage is functioning properly) or to set a new origin point when the machine is in its offline mode.

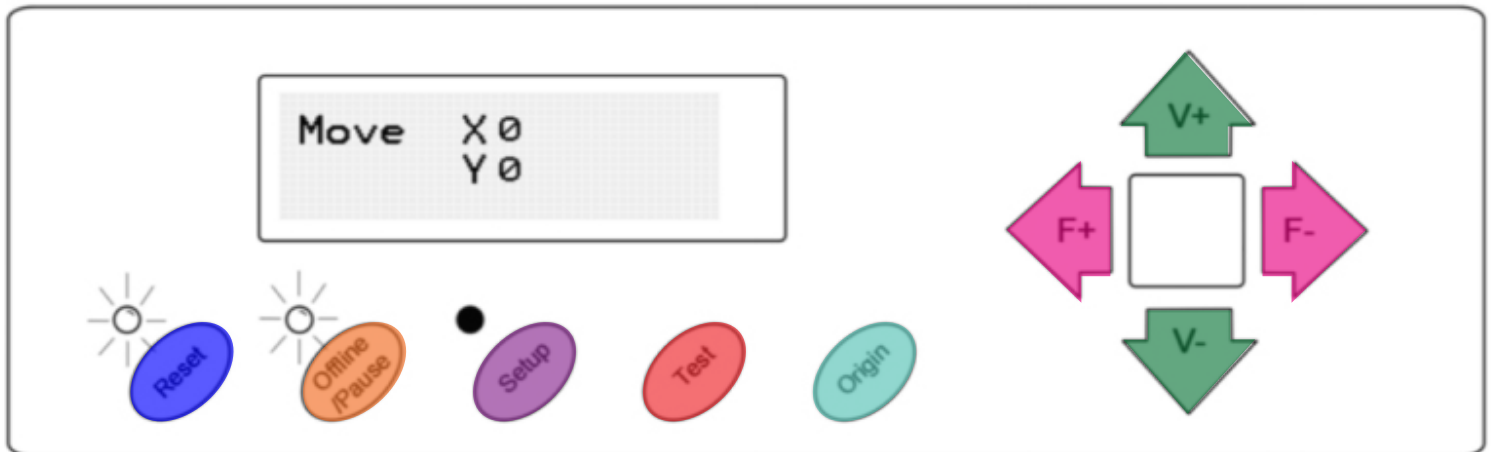
V+ / V- BUTTONS

Adjusts the cutting speed. A cutting speed of 300 mm/s is a reasonable default speed that can be used for most cuts. When working with smaller and more detailed images, a slower speed may be required. When working with larger and less detailed images, a higher speed can be used to shorten the operation time.

F+ / F- BUTTONS

Adjusts the cutting force. A cutting force of 100g is a good general starting place to work from when trying to determine the force needed for a specific material. All cuttable materials will differ in the amount of force needed so proper testing should always be made to determine the amount of force to use. The amount of force used should be enough to fully penetrate the material to be cut while not enough to cut through the backing material.

OFFLINE/PAUSE SCREEN



Offline mode is used to reposition the cutting material and blade so that a new starting position can be set for the next design. Offline mode can also be accessed while the cutter is in operation and will pause the current cutting process. Although changes can be made to the material and blade positions if Offline/PAUSE mode is accessed during cutting, making changes to either setting is not normally recommended.

RESET BUTTON

Resets by stopping the cutter, and setting the origin of the carriage arm to its right most position.

OFFLINE/PAUSE BUTTON

Ignores any changes that have been made to the material or blade positions and exits Offline/PAUSE mode, returning the cutter to the main screen. Resumes any cutting that was taking place when Offline/PAUSE mode was entered.

SETUP BUTTON

Has no function in this mode.

TEST BUTTON

Accepts any changes that have been made to the material or blade positions and exits Offline/PAUSE mode returning the cutter to the main screen. Resumes any cutting that was taking place when Offline/PAUSE mode was entered from the new blade/material positions.

ORIGIN BUTTON

Accepts any changes that have been made to the material or blade positions and exits Offline/PAUSE mode returning the cutter to the main screen. Resumes any cutting that was taking place when Offline/PAUSE mode was entered from the new blade/material positions.

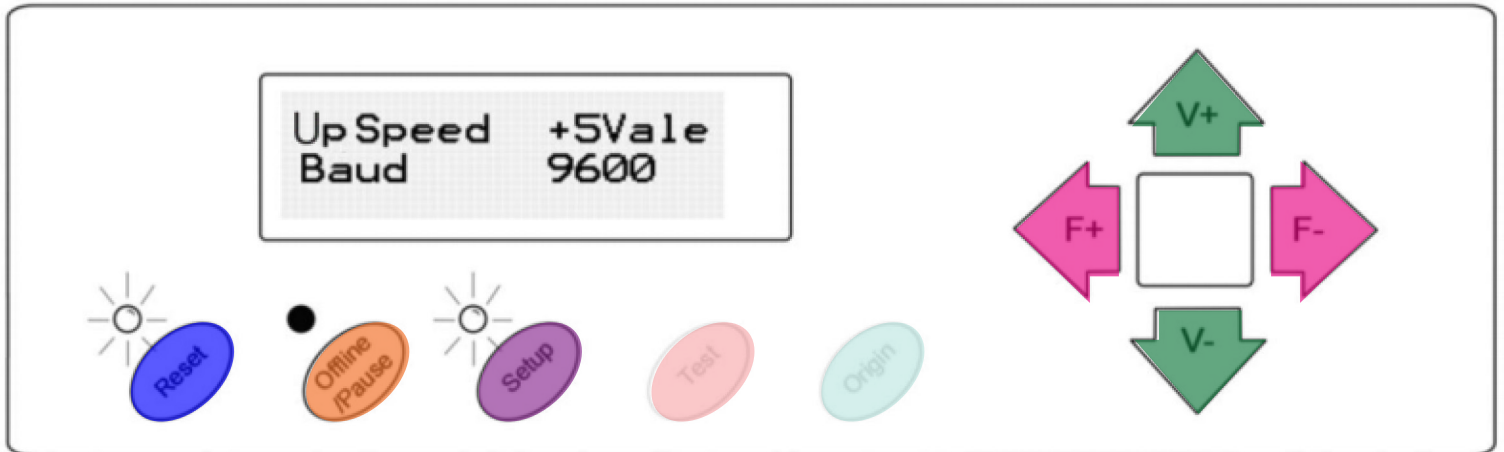
V+ / V- BUTTONS

Repositions the material by moving the feed rollers. After movements are made you can confirm the changes by pressing the TEST or ORIGIN buttons or cancel by pressing the OFFLINE/PAUSE button.

F+ / F- BUTTONS

Repositions the blade by moving the carriage arm. After movements are made you can confirm the changes by pressing the TEST or ORIGIN buttons or cancel by pressing the OFFLINE/PAUSE button.

SETUP SCREEN



The Setup screen allows you to adjust some of the more technical settings of the cutter. For most users, these settings should not be changed.

RESET BUTTON

Resets by stopping the cutter, and setting the origin of the carriage arm to its right most position.

OFFLINE/PAUSE BUTTON Has no function in this mode.

SETUP BUTTON

Exits Setup mode and returns to the main screen.

TEST BUTTON

Has no function in this mode.

ORIGIN BUTTON

Has no function in this mode.

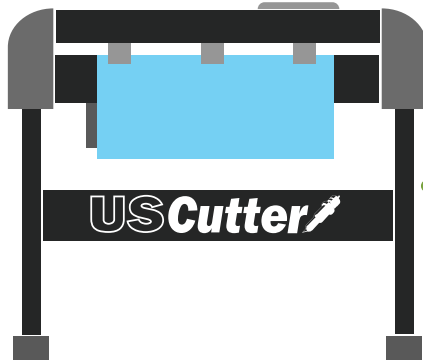
V+ / V- BUTTONS

Adjusts the Up Speed of the cutter.































F+ / F- BUTTONS

Adjusts the Baud Rate of the cutter.

A good VINYL CUTTER is just the start...



You also need the right media, blade, and application tape to ensure a professional job.

	  	<p>Oracal 8300, 8500, 8510, & 8800</p> <p>Main Tape GFX-775 or R-Tape AT65</p> <p>45° Blade</p>	 <p>Glass Application</p>
	  	<p>Oracal 3951 & 3651 HP Gloss & Matte</p> <p>Main Tape GFX-341</p> <p>45° Blade</p>	 <p>Digital Printed Graphics</p>
	  	<p>Oracal 631 or GreenStar Wall Vinyl</p> <p>Main Tape GXP750 or Oratape HT55</p> <p>45° Blade</p>	 <p>Indoor Wall Vinyl</p>
	  	<p>EasyWeed (standard fabrics)</p> <p>EasyWeed Extra (nylons/water resistant)</p> <p>30° Blade (general)</p> <p>60° Blade (glitter/flock)</p>	 <p>Heat Press</p>
	  	<p>Oracal 651 or GreenStar Intermediate (calendered) for short term</p> <p>Oracal 751 or 951 (cast) for long term</p> <p>GreenStar Layflat Classic or Main Tape GFX-775</p> <p>45° Blade (general)</p> <p>60° Blade (reflective)</p>	 <p>Outdoor Signage</p>
	  	<p>Anchor BlastLite Oramask</p> <p>R-Tape 4076RLA</p> <p>60° Blade</p>	 <p>Stencils & Masks</p>

GET EVERYTHING FOR YOUR VINYL CUTTING NEEDS

USCutter

www.uscutter.com

425.481.3555

Connecting The Cutter To A Computer

Attach the power cord to the cutter and then plug in the unit and turn on the power.



If using the Serial Cable to connect your cutter to a computer:

If you are using a Serial Cable to connect your cutter to a computer then no further setup is necessary. Simply connect one end of the cable to the cutter and the other end to a computer and setup is complete. If you have more than one serial connection on your computer or you are experiencing communication issues between your cutter and computer then you may wish to verify that the correct COM port is being used in your software setup, but for most users the COM port will be COM1.



If using the USB Cable to connect your cutter to a computer:

Most current versions of Windows and the current VinylMaster release already have drivers pre-loaded. If, however you find you still need to install drivers go to www.uscuttersupport.com/mh-support-page and select the driver that supports your older Windows version.

INSTALLING VINYL MASTER SOFTWARE

Your MH Vinyl Cutter comes bundled with **VinylMaster Cut** software, an easy to use software with the tools to help you take your projects from concept to a ready to cut computer image file.

You can download and install the **VinylMaster Cut** software at www.uscutter.com/download, and you will need the key code (sometimes referred to as a PSN) packaged with this cutter to activate the software.

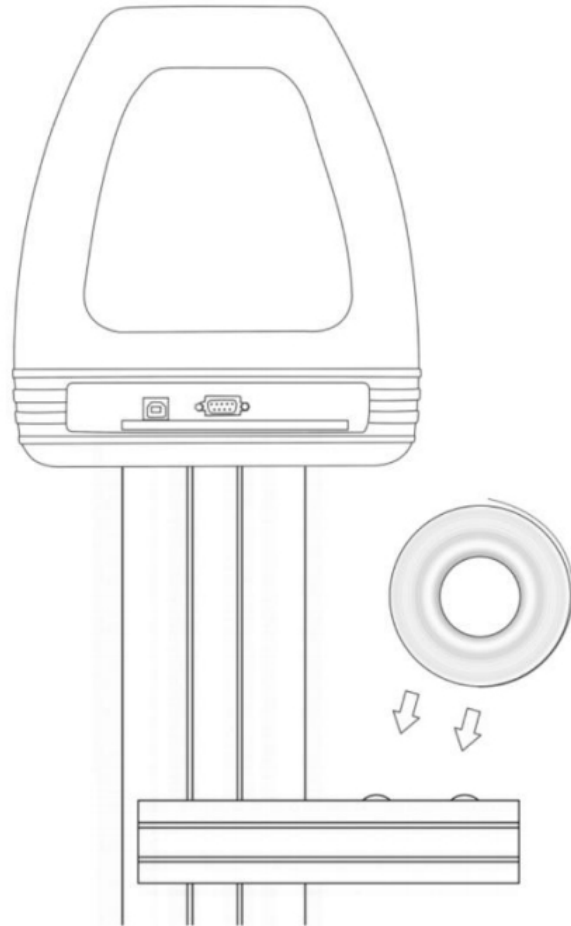
Training for VinylMaster is all done via short videos accessed through the software.

If you are going to cut from a scrap or single sheet instead of a roll, then skip the next step on placing a vinyl roll. All other steps will be the same.

1

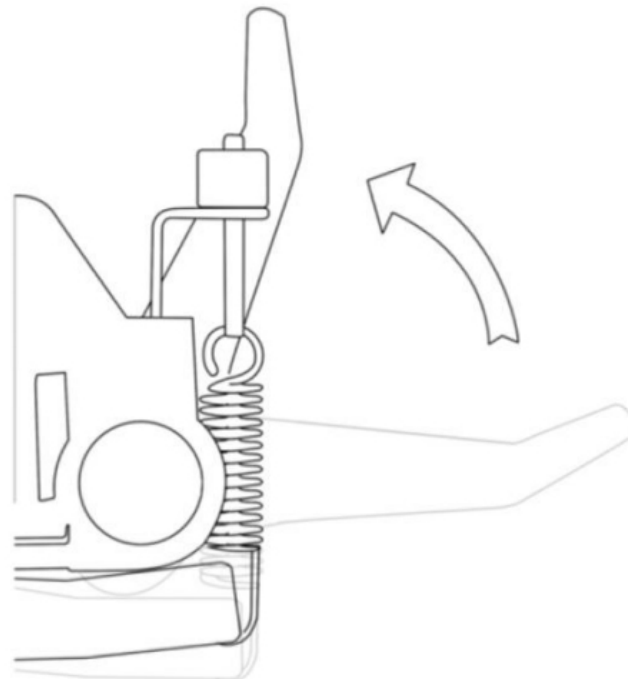
Place the roll on top of the stand rollers.

For heat press vinyl, please flip the roll.



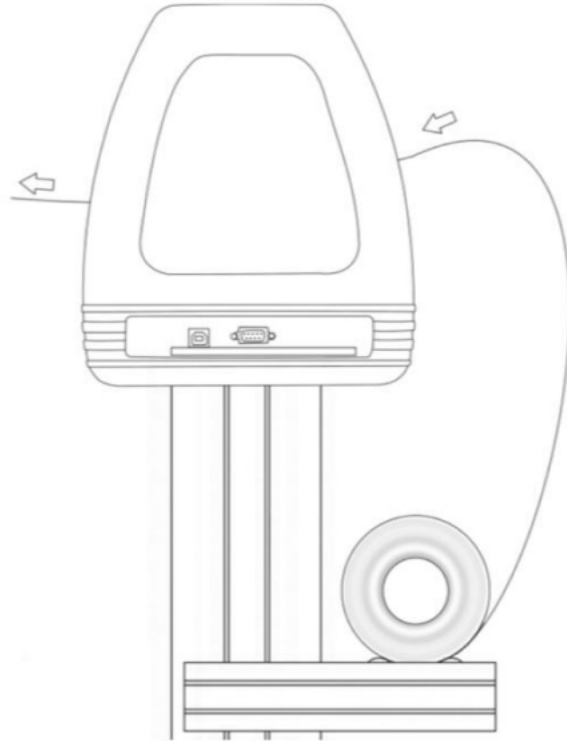
2

Release the pinch rollers release levers.



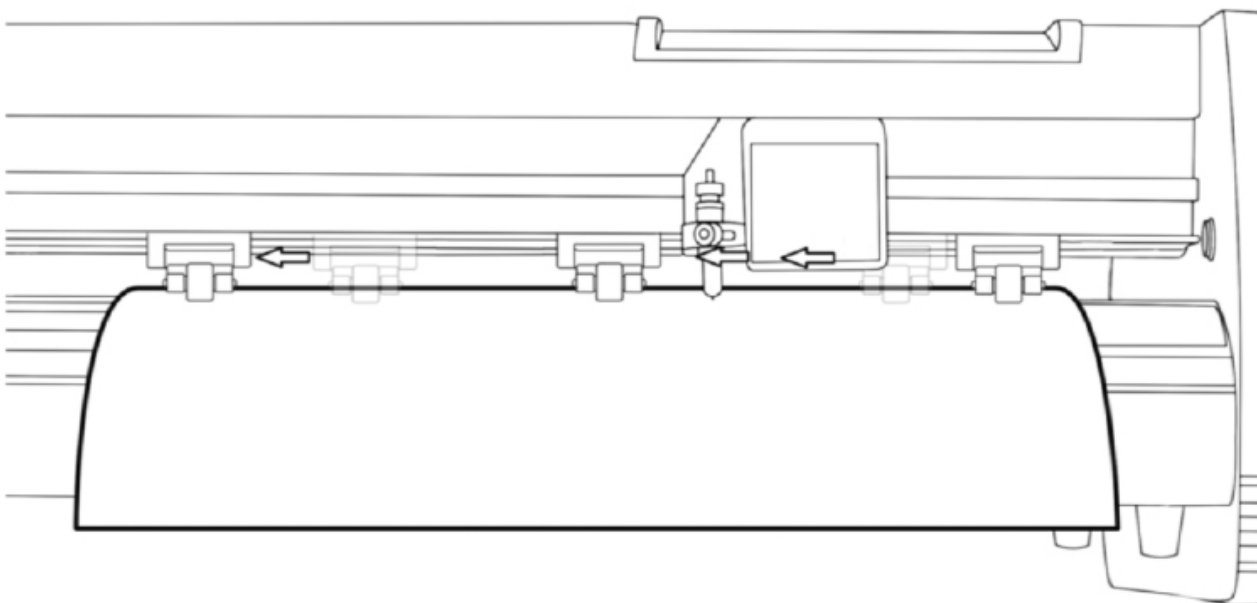
3

Feed the vinyl underneath the pinch rollers (if working from a single sheet instead of a roll, the vinyl can also be feed from the front).



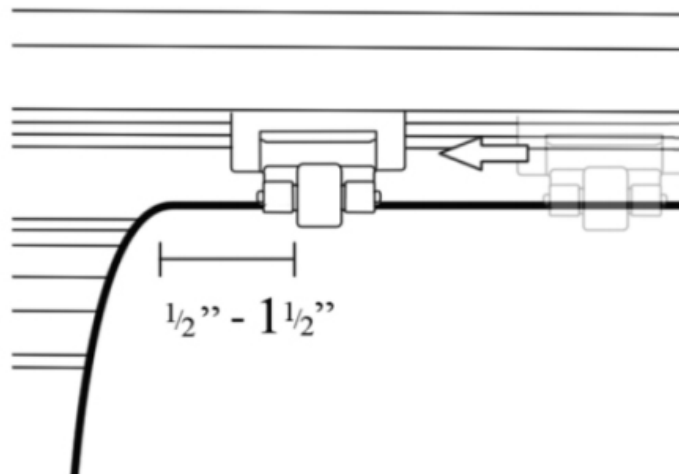
4

Adjust the pinch rollers so there is one roller located on each side of the vinyl (and, on models with 3 or more rollers, one roller near the center). Avoid lowering a pinch roller to the gap between the two feed rollers.



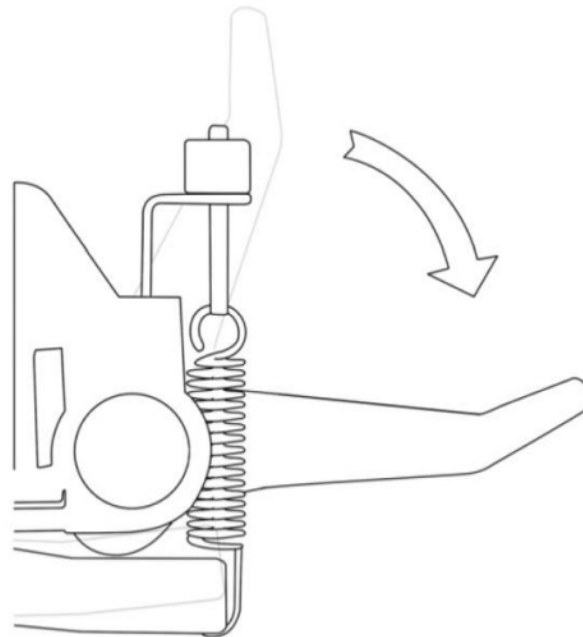
5

Leave a gap of between $\frac{1}{2}$ "- $1\frac{1}{2}$ " from the edge of the roller and the edge of the vinyl on both sides.



6

Engage the Pinch Rollers by pushing down on the Pinch Roller Release Levers.



If the cutter is not already on, turn it on now.

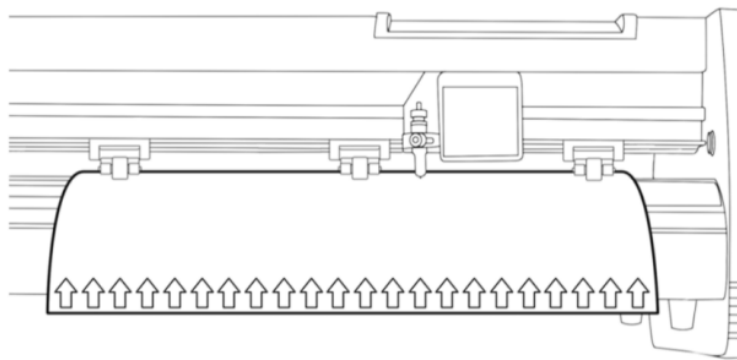
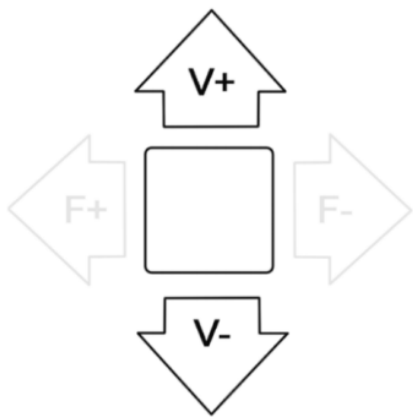
If you would like to change the position of where the cut will be made:

1

Press the **OFFLINE/PAUSE** button to enter offline mode.

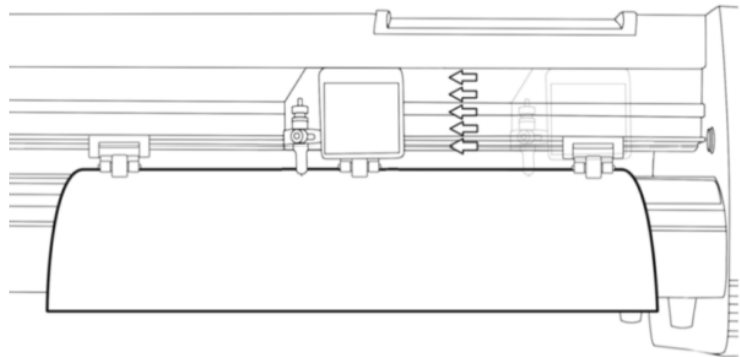
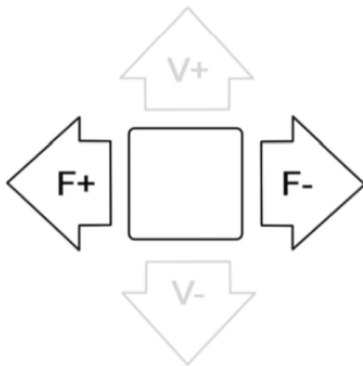
2

Adjust the vinyl to where you want to make your cut to start by using the Up and Down arrow keys on the control panel.



3

Now, adjust the blade to where you want your cut to start by using the Left and Right arrow keys.



4

Now press the Origin button to tell the cutter that this is the location where you would like the cut to begin.



When choosing a starting location for your design, remember that the process will start in the bottom right area of the design. Please leave enough room to the left of and behind the starting location to finish your cut.

If you would like to make other adjustments to the pressure, speed, or other settings you can do so now. If you are setting up for your first cut with the machine then the default values should be a good starting point.

If you make any adjustments to your cutter, make sure that you return to the main screen before you attempt to cut.

Making Your First Test Cut

A Basic Guide To Vinyl Cutting

Now that you've got your system fully assembled let's take a moment to test it and also take moment to learn a bit about how to "fine tune" the machine so that it will do quality cuts on the different materials you'll be cutting. To do this we'll do a standard test cut, which when completed will a simple triangle inside of a square. Load the material roll and adjust the pinch rollers. Remember to make sure the top roller is placed so that there is a bottom roller (called the "grit roller") beneath it. Remember to line the material up so that it is moving straight through the feed area, and resist the temptation to run the material close to

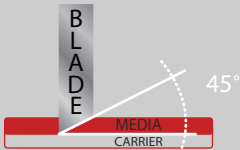
the edge of the cutter feed area or you increase the risk of a mis-feed that will wrinkle your vinyl. (See the graphic on the top of pg. 21 for an example.) Assuming you're cutting standard signage vinyl, you'll want to use your 45° blade. If you received vinyl along with your cutter package, chances are very good it's a standard GreenStar or Oracal signage vinyl. Now, find the TEST button on the cutter control pad and press it. It should cut a pattern that looks like this:




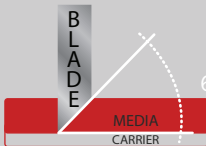
This Test Cut will help you to calibrate the machine for this material. Examine this cut and use a weeding tool or exacto knife to weed the square out while keeping the triangle on the paper. ("Weeding" is the word for removing the cut vinyl in the design.) Use this simple diagram to make adjustments. There's a certain amount of trial and error to it at first, but you'll quickly get a feel for it.

CHOOSE BLADE


For thin and regular sized media, use a 45° blade.



For thicker materials, such as Siser StripFlock, Siser Glitter, and Hexis CutFlex 600 Reflective, a 60° blade is needed.



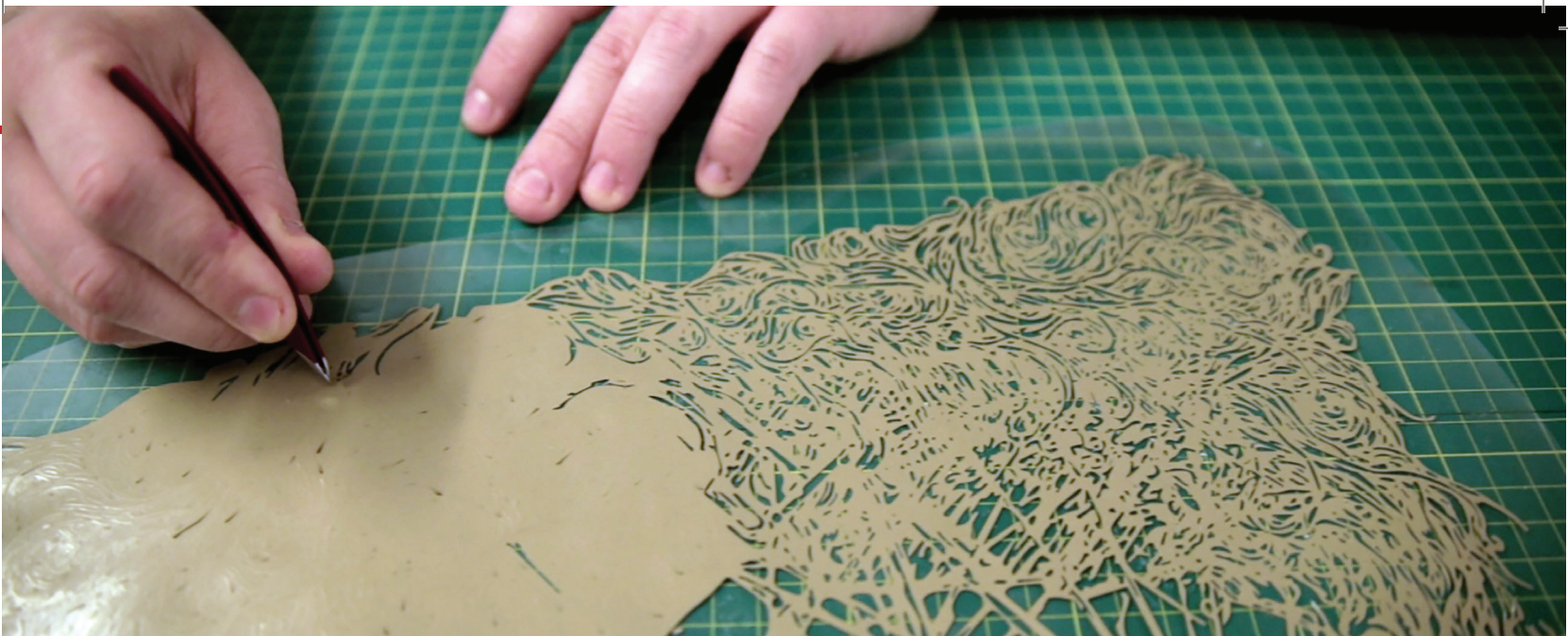
Load the blade so that the length of the blade shown is not longer than the media is thick.



LOAD MATERIAL



Most vinyl products are loaded from over the top.



CUT SPEED

This setting determines how fast the design is cut out and is usually measured in centimeters per second.

small intricate designs



DECREASE CUT SPEED

large simpler designs

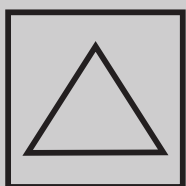


INCREASE CUT SPEED



FORCE/PRESSURE

This setting determines how hard the blade comes down onto the material.



Test Cut

outer square won't weed



INCREASE FORCE

blade digging too far into carrier



DECREASE FORCE

weeds easily with a lightly scored carrier



PERFECT!

Troubleshooting

PROBLEM

SOLUTION

<p>The cutter performs erratically during cuts, stops cutting before the cut is finished, or cuts lines that do not appear in the design.</p>	<p>Some computers do not work well when connected via the USB port of the cutters. If you are having problems while cutting and are using the USB cable to connect from your cutter to computer, you may wish to try the serial cable connection to avoid further problems. If a serial cable connection is not available on your computer, you can try a third party USB to serial connector or a PCI card serial adapter for your computer.</p>
<p>After the first cut is made, subsequent cuts are made over the top of the original, or vinyl is fed backwards until it loses contact with the rollers.</p>	<p>After a cut is made, you will need to reset the origin of the cutter. If the origin is not set again, the first origin will remain in the cutter and the cutter will return to this position before making any further cuts. To reset the origin; from the main screen of the cutter, press the Offline/Pause button on and then press the Origin button.</p>
<p>Cuts are jagged or inconsistent.</p>	<p>The Blade may be dulled or damaged. Replace with a new blade and try again. Make sure that the blade can turn freely (by attempting to turn it with your fingers while the release button of the Blade Carriage is pressed).</p> <p>Adjust the blade depth of the Blade Carriage (page 10) and Force setting on the cutter (page 14) until you are getting solid, uniform cuts. Start with a blade depth of around 1/64th of an inch and a pressure setting of 100g and try an increased pressure setting before attempting to increase the blade depth.</p>
<p>Slashes are made across the vinyl from the blade movement during cutting.</p>	<p>If the blade is protruding too far from the Blade Carriage then it can score and cut material during normal operations. If this is occurring, the blade needs to be adjusted so that it is protruding a minimal distance from the carriage.</p>
<p>Vinyl not feeding straight and the right most Pinch Roller will not move.</p>	<p>Sometimes, during shipping or movement of the machine, the right pinch roller will become stuck on a screw located on the back of the machine. If this occurs and is affecting your cutting, press forcefully against the pinch roller until it becomes dislodged from its position. If needed, remove the screw to reposition the pinch roller in the desired position.</p>
<p>Cuts are warped and inconsistent.</p>	<p>Sometimes, during shipping or movement of the machine, the Carriage Arm can be dislodged from its track. Make sure that the 2 white wheels behind the carriage arm are both resting securely on top of (not in front) of the track. If the wheels are not on the track, gently lift the carriage arm and press back until both wheels are resting on the track.</p>

ISSUE

Cut has dashes or looks perforated.

EXAMPLE



CAUSE

Damaged cutting strip (groove in strip) or too much blade is exposed (friction build up).

SOLUTION

Replace the cutting strip or decrease the blade depth.

ISSUE

Cut line tapers and not cutting towards the end.

EXAMPLE



CAUSE

Dull blade or blade holder isn't secured properly in slot.

SOLUTION

Replace blade, check the blade force, and secure the blade holder.

ISSUE

Blade is skipping turns and corners.

EXAMPLE



CAUSE

Part of the blade is dragging on its side during turns.

SOLUTION

Clean the inside of the blade holder by coating the blade with WD40 and moving it in and out of the blade holder. Clean off any debris that comes out. Replacement blade holder may be needed.

ISSUE

Corners are not cutting correctly.

EXAMPLE

ROUNDED CORNERS CORNERS WITH FLAGS



CAUSE

Offset setting is incorrect.

SOLUTION

Change the offset setting.



RAISE OFFSET

LOWER OFFSET

Care and Maintenance

Some Cutter Parts will require periodic replacement:

- The blades packaged with your MH cutter will dull with time and usage. In general, the blades with the sharpest points like the 60 degree blade will dull fastest in much the same way that a very sharp pencil point will wear down quickly. To keep your cuts clean and to avoid wasting media and vinyl, it is recommended you replace blades after 6 months of use or whenever cutting becomes jagged or inconsistent.
- Cutting Strips will also require periodic replacement: The cutting strip is the protective strip that is found right below the carriage arm that prevents damage to the cutting blade. Over time it will develop small cuts and abrasions - and it may happen quickly if you are creating decals or other projects where the blade will cut through the liner of the media.
- Blade holders will gather small bits of material in them: Over time, this accumulated debris can prevent the blade from moving smoothly over the cut media. Occasionally removing the blade holder cap and cleaning out the debris will help prolong the life of the bladeholder, but they do wear out with time.

Replacement blades, blade holders and cutting strips for MH Cutters can be found at: <http://www.uscutter.com/Cutter-Blades-Bladeholders>

Storage of Your Cutter

- During periods when the cutter is not in use, please unplug the cutter from the power source.
- Covering the cutter with a plastic sheet or other lint free cloth or water resistant material to prevent accumulation of dust is also recommended.
- Always store your cutter in a cool, dry location

Warranty Statement

USCutter will repair or replace parts and equipment found to be defective in materials or workmanship during the warranty period subject to the following:

- On Cutter equipment, USCutter will supply new or rebuilt parts to replace parts that are found to be defective within the warranty period instead of replacing the equipment outright. USCutter will ship these parts via with no cost to the customer as long as the shipment is within the United States. Full telephone based support will be given by USCutter representatives to aid the customer in the replacement of any parts sent.
- If USCutter, at its sole discretion, determines that the equipment is not able to be repaired, then an RMA number will be assigned and the customer authorized to return the equipment for replacement.
- The standard MH Vinyl Cutter series warranty is 90 days from day the product is received. In the event of a purchase of an extended warranty after date of initial equipment sale, extended warranty begins day after last day of initial warranty. Extended warranties must be purchased during the time initial warranty is in effect.
- Any equipment older than 30 days may be replaced with a certified refurbished unit at our discretion.
- Included software with this cutter, if any, will be covered by a separate warranty included with software.
- USCutter reserves the right to discontinue the sale of "Extended 1 Year Warranty" as part of original purchase or purchase during warranty period at any time and for any reason.

Warranty and Exchange Process:

- If you are having issues with a product or service purchased from the company, please contact the support department at USCutterSupport.com.
- All returns must be authorized by an USCutter representative before the product shipped. The USCutter representative will issue a Return Merchandise Authorization (RMA) number that must be put on the outside of the returned item packaging. US Cutter will not be responsible for any item sent back without an RMA in place and it may be returned to customer only if they will be responsible for any shipping costs.
- Any item being returned to USCutter (excluding items over 70 lbs which require freight shipping) are eligible for a flat rate ground shipping label at the market rate. Items determined to be defective within first 30 days or improperly shipped will receive this label free of charge. The customer may choose their own shipping method as long as tracking information is communicated to and acknowledged by USCutter.
- Items should be returned in their original packaging. Items returned in other than the original packaging may be assessed additional restocking fees of up to 50% and USCutter will not be responsible for any damage of returned items that is a result of improper shipping methods.
- Items returned for a refund may be subject to restocking fees. Once a refund is processed it will usually be returned to the originating account within 7 to 10 business days, depending on the customer's bank.

Warranty Exclusions and Verification:

- Warranty does not include coverage of "consumables" or any item that is commonly subject to wear and tear. This would include blades, blade holders, cutting strips and vinyl once packaging is opened.
- Defective Items: If any item arrives in unusable condition, USCutter must be notified within 30 days of receiving the product or replacement may not be provided.
- USCutter reserves the right to request proof in the form of photos as proof of defects or to document failure of parts replaced under warranty.
- USCutter DOES NOT COVER ANY INDIRECT DAMAGES OR LOSS OF PRODUCT OR REVENUE. Repair or replacement of defective parts or components under the terms of this warranty is the EXCLUSIVE REMEDY. USCutter is not liable for any incidental, consequential, or indirect damages of any kind, including without limitation personal injury, death, property damage, environmental damage, theft or loss of product, loss of revenue or profits, business interruption, or any other business or commercial loss. USCutter is not liable for any claims or lawsuits asserted against our customers or any claims or lawsuits related to the unlawful or fraudulent use of our product.
- Damage suffered by supplied equipment due to neglect, abuse, misuse, power surge or act of nature is not covered.
- This offer covers MH Series products purchased and installed in the United States and is not valid elsewhere.

THIS WARRANTY CONTAINED HEREIN IS EXCLUSIVE AND THEREFORE NO OTHER EXPRESS, IMPLIED OR STATUTORY WARRANTIES. WARRANTIES OF MERCHANTABILITY OR FITNESS FOR A PARTICULAR APPLICATION ARE EXPRESSLY EXCLUDED.

Hardware Bundles

The fastest and easiest way to get started.

See USCUTTER.com for all currently offered bundle packs!



Heat Press Starter Kit

Get your garment decorating business off the ground with the equipment and a sample of media options to start making custom t-shirts and other apparel items. Includes: 15"x15" heat press featuring a roomy work surface, digital controls, and adjustable time, temperature, and pressure settings & a wealth of conveniently pre-cut media sheets from Siser and Hexis to make decals, lettering, and more. Also includes Teflon sheets to protect your transfer, Logolt transfer alignment tool, platen cleaner, & weeding kit.



Sign Shop In a Box

Good sign shops start from small packages. This comprehensive starter kit includes all the materials, tools, application tapes, and a sample of media options to start making signs, banners, and magnets, and apply them in the field. Includes an array of applicators and squeegees for different situations, knives, blades, fluids, tapes, banner blanks, 55" big ruler, self-healing cutting mat, weeding kit, magnetic sheets, and outdoor vinyl.



Siser Multi Product Kit

Get acquainted with the wide world of Siser heat transfer materials. Inside this sample pack of 12 15"x12" sheets is an introduction to the array of effects and color options available through Siser's various product lines, all carried by US Cutter. Included are sheets of Siser EasyWeed for everyday cotton, poly, and blends; Stretch for waterproof/resistant, leather, etc.; reflective, holographic, glow-in-the-dark, and more.



Interior Decoration Wall Vinyl Starter Kit

The interior decoration business is booming, with billions being made annually by crafters and artists on diverse platforms such as Etsy and Amazon. Jump in today making lettering for quotes and lyrics, decals for your children's nursery or master bedroom, and much more, at a cost-effective entry point with high-quality REMOVABLE GreenStar interior wall art vinyl, PRE-CUT into 20 different colored 12" x 12" sheets. GreenStar wall vinyl is completely removable which makes it perfect for temporary and seasonal signage and decorations. Kit also includes application tape and squeegees for only \$25.99.



Note about pricing: Pricing on these pages reflects what is currently on our website and is subject to change without notice. Visit www.uscutter.com or call 1-425-481-3555 for up-to-date pricing on these featured products.



SAME DAY SHIPPING

Order by 4:30PM EST



Etched Glass Kit

Oracal 8510 gives the professional appearance of etched glass for a fraction of the price and labor associated with sandblasting. This vinyl is meant for long-term indoor and outdoor window application to provide business names, logos and other graphics on entrance doors, street-facing windows, and corporate environments. This starter kit includes a 24" x 10 yard roll of coarse silver structure vinyl, clear high-tack application tape for accurate registration and ease of use, a squeegee, and application fluid for wet application.



USCutter Stencil Kit for Spray Paint, Airbrush Art, Glass Etching

USCutter has worked with an airbrush artist to create this unique Stencil Supply Kit. It contains all the supplies you need to cut masking vinyl for lettering and graphics for producing your own reusable stencils for spray paint, airbrush, etched glass, drawing, and face paint/tattoo/henna. We have included some essential extras such as stencil material (adhesive and non-adhesive), clear application tape, 45° and 60° blades (note: use a 60° blade on thicker stencil materials), weeding tool kit, cutting mat, squeegees and more to help speed up your production and make the job of weeding and applying vinyl masking material go faster and easier.



Yard Sign Bundle

Turn every highway median, front yard, and green space into a promotional canvas for your message, from political campaign endorsements, to real estate ads, school and church event promotions, and more, with this 100% customizable Yard Sign Bundle. Choose 50 (yellow or white, horizontal or vertically-oriented) 18" x 24" corrugated sign blanks, and your choice of 50 step or spider stakes, for only \$2/sign!



Oracal 651 24" x 5 Yard Starter Pack - 12 Colors

Get 12 24" x 5 yd rolls of Oracal 651 in all the most popular colors! This is rated as a 6-year outdoor vinyl that will hold up in most environmental conditions for long-term signage and banners. It has a gloss finish and is relatively thin for easy weedability. For applications with contours requiring conformability check out Oracal 751 or 951, also available through USCutter!



**WE RECOMMEND USAGE OF THE FOLLOWING VINYL
WITH YOUR NEW MH CUTTER:**



Copyright © 2019 USCutter

All rights reserved. No part of this publication may be reproduced, distributed, or transmitted in any form or by any means, including photocopying, recording, or other electronic or mechanical methods, without the prior written permission of the publisher, except in the case of brief quotations embodied in critical reviews and certain other noncommercial uses permitted by copyright law. For permission requests, write to USCutter, 7945 NE 65th St., Suite 200, Redmond, WA 98052