

Ender 3 v2

Creality3D has several printers in their line. They work themselves out like this:

Ender 3 - two post printer with single Z, comes in a 3, 3 pro, and 3 v2 - [Amazon Discounts Here](#) Currently \$251.00

Ender 5 - 4 post box style printer, better for stability on the xy axis, easy to enclose for ABS

CR10 - Large 300x300 or 400x400 or 500x500 !!!! build platform

Other Coupon Codes:

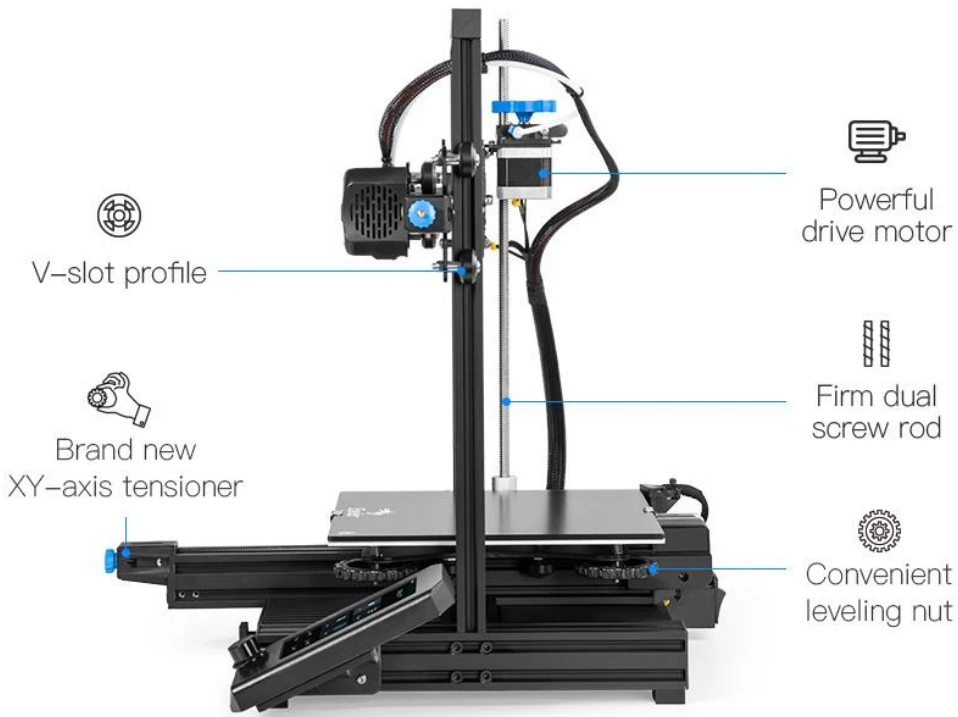
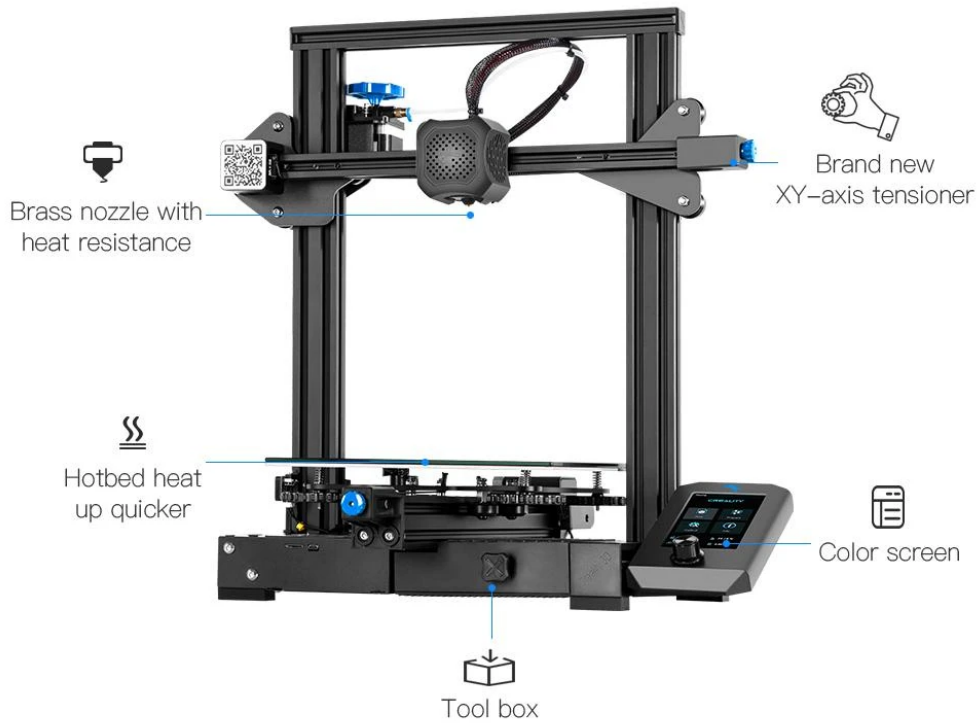
[SASFILAM13](#) 13% off Filaments

[CRD10](#) - \$10.00 off \$250

On the Ender 3 line, the Ender 3 pro is a really nice printer, the v2 upgrades that with a silent board, Touch screen . This board is a REALLY nice.

Only do the Standard if that \$25 is a real budget killer. Otherwise start at the Pro and really try for the v2.





Ender 3 Edition	Std	Pro	v2
Rough Price	175	199	259
v-Profile pulleys	X	X	X
Heated Bed	X	X	X
Z-Axis Steppers	1	1	1

X-Axis tensioner knob			X
Meanwell Power Supply		X	X
Hidden Power Supply			X
Tool Drawer			X
Removable Magnetic Bed		X	
Borosilicate Glass Bed			X
Color Control Panel			X
4.27 Main Board			X
Silent Stepper drivers			

The V2 is at creality3d.com

See the whole line here: [Creality Ender 3 v2](#)